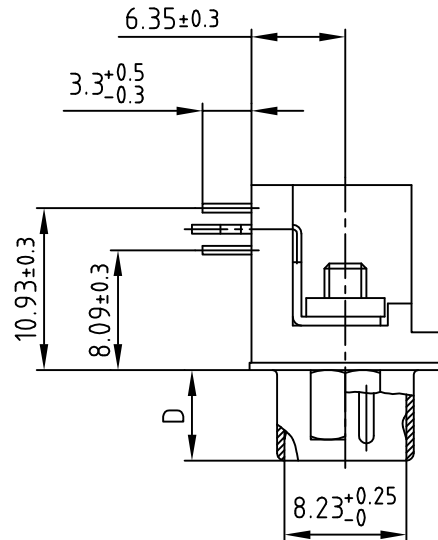
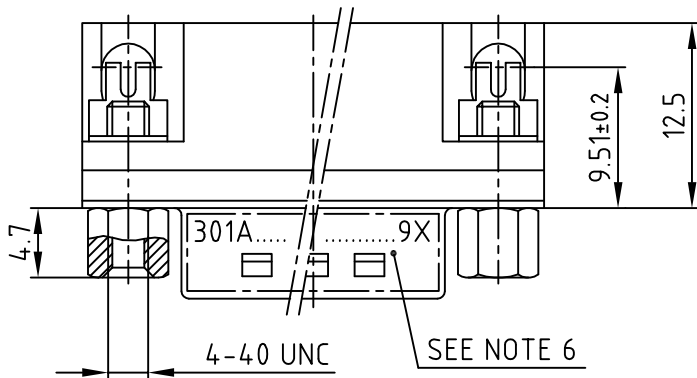
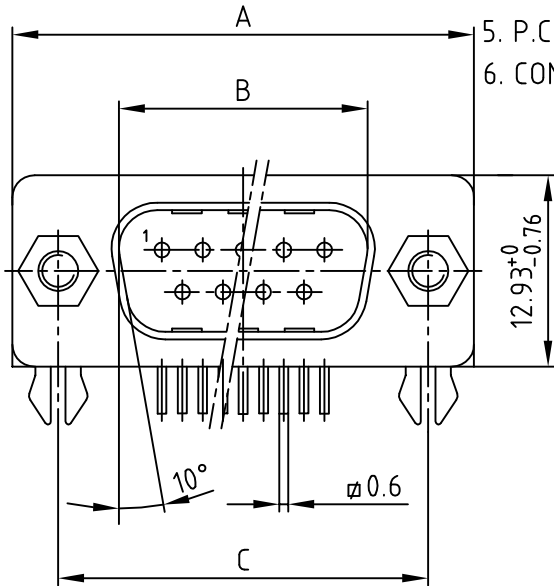


used for: D-SUB

NOTES:

- (b) 1. METALSHELLS: STEEL; NICKEL PLATED
- 2. INSULATORS: PA UL 94 V-0; BLACK
- 3. PLATING: GOLD FLASH over NICKEL
- 4. PCB-SNAPS: COPPER ALLOY; min. 200µin TIN over 80µin NICKEL
PCB-HOLE: $\phi 3.1 \pm 0.1$; PCB THICKNESS 1.6mm
- 5. P.C.B. HOLE DRILLINGS ON DRAWING NO.: 16K111UA
- 6. CONNECTOR IS PART MARKED: 301A109...9X CONEC ABC



POS.	A -0.76	B $+0.25$	C	D -0.3	PART-NO.
9	31.19	16.79	25.00 $+0.12/-0.13$	6.12	301A10939X
15	39.52	25.12	33.30 $+0.15/-0.1$	6.12	301A10949X
25	53.42	38.84	47.04 ± 0.13	5.99	301A10959X
37	69.70	55.30	63.50 ± 0.13	5.99	301A10969X

THIS DRAWING MAY NOT BE COPIED OR REPRODUCED IN ANY WAY, AND MAY NOT BE PASSED ON TO A THIRD PARTY, WITHOUT WRITTEN PERMISSION. OWNERSHIP AND COPYRIGHT OF CONEC GmbH DO NOT ALTER CAD DRAWING BY HAND

tolerance		dim. in mm	
2001	date	name	
drawn	02.07.	Parei	
appd.	02.07.	E. Mickenbecker	
norm			
d-old			
1 x b	Ä 5865	29.10.2015	Unkrüer
a	Original		
rev.	description	date	name



scale:	2:1
material:	SEE NOTES
title:	D-SUB MALE 90° 0.318inch 9-37pos. with threaded insert, hex bolt and clip
dwg no:	16K1A233A
part no:	SEE TABLE
DIN-A	3
sh:	1/1

RoHS compliant