

# MATERIALS & SPECIFICATIONS

PART NO.	A28100-015	REV	ECO	DATE	APP
		G	96463	01-30-10	TLM

**HOUSING:**  
ALUMINUM 6061-T6, NICKEL  
PLATE PER AMS-C-26074

**INSULATOR:**  
LIQUID CRYSTAL POLYMER (LCP)  
PER ASTM D5138

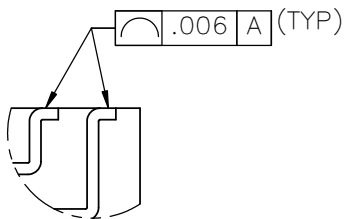
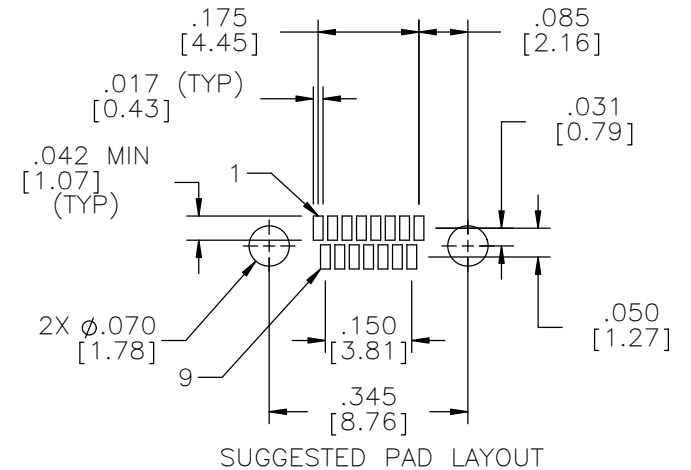
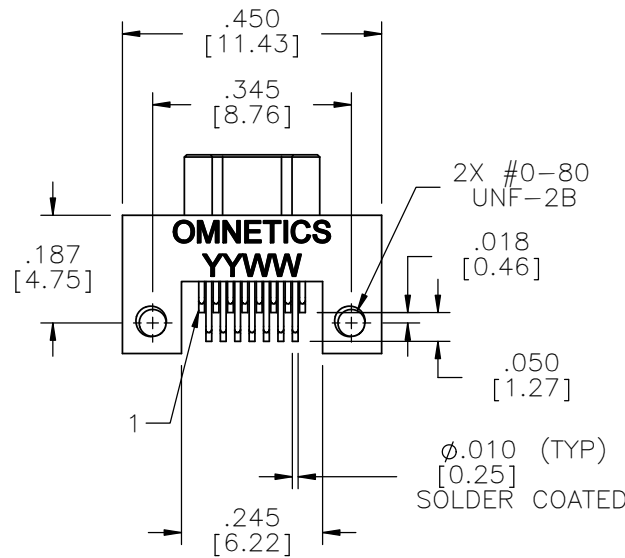
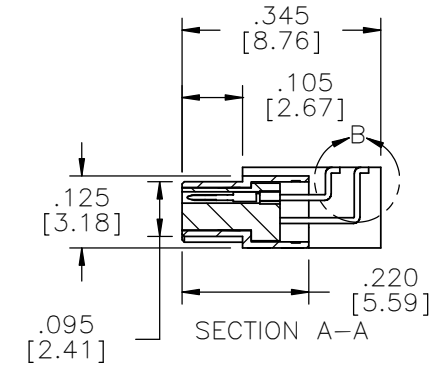
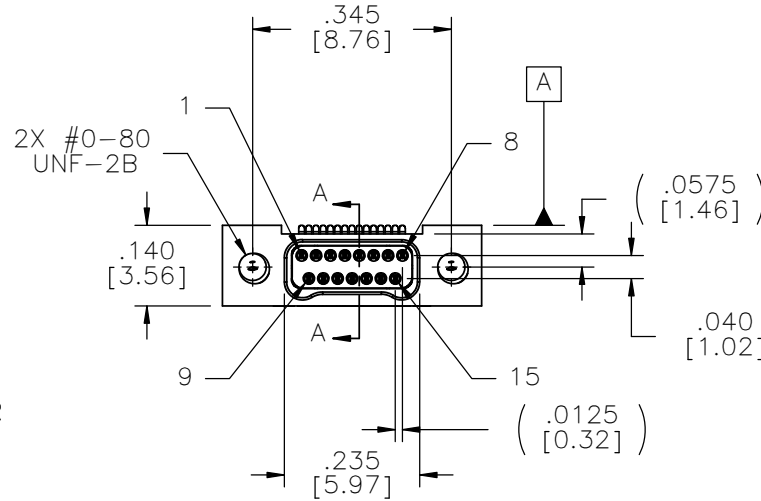
**CONTACT:**  
BERYLLIUM COPPER PER ASTM  
B194, C17200, GOLD PLATED  
PER ASTM B488, (HARD GOLD)  
TYPE II CODE C, CLASS 1.27

**TERMINATION:**  
SOLDER COATED WITH SN63A PER  
J-STD-006 OR AMS-P-81728

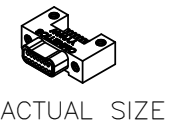
**CURRENT RATING:**  
1 AMP MAX PER MIL-DTL-32139

**CONTACT RESISTANCE:**  
71 MILLIOHM MAX (71mV DROP  
MAX) @ 1.0 AMPS PER MIL-  
DTL-32139

**PERFORMANCE:**  
PRODUCT FAMILY TESTED TO AND  
PASSED THE PERFORMANCE  
SPECIFICATIONS OF TABLE VIII OF  
MIL-DTL-32139



DETAIL B  
SCALE 6 : 1



MNS O SLDW	THIRD ANGLE	THIS DRAWING CONTAINS CONFIDENTIAL AND PROPRIETARY INFORMATION WHICH IS THE PROPERTY OF OMNETICS CONNECTOR CORP. THIS DOCUMENT MAY NOT, IN WHOLE OR IN PART, BE DUPLICATED, OR DISCLOSED FOR ANY PURPOSE, WITHOUT WRITTEN PERMISSION FROM OMNETICS CONNECTOR CORP.	DATE 05-05-04	TITLE: (15) PIN MALE Bi-Lobe® CONNECTOR
	-TOLERANCES-			
	UNLESS OTHERWISE NOTED			
	DIMENSIONS IN INCHES			
2 PL DEC ± .01	DFTM. AAS	DATE	APP'D.	SCALE: 3:1
3 PL DEC ± .005	CHK'D.	DATE		REV G
4 PL DEC ± .0005	APP'D.	DATE		
ANGLES ± 1°				

**OMNETICS**  
CONNECTOR CORPORATION  
7260 COMMERCE CIRCLE EAST  
MINNEAPOLIS, MN 55432  
WWW.OMNETICS.COM

CAGE CODE	61873
DWG NO.	A28100-015
SHEET 1 OF 1	REV G
SCALE: 3:1	