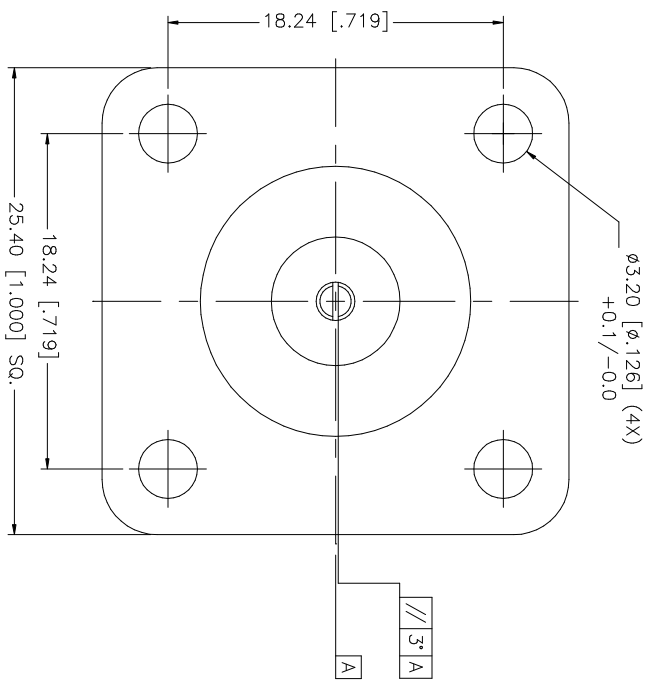
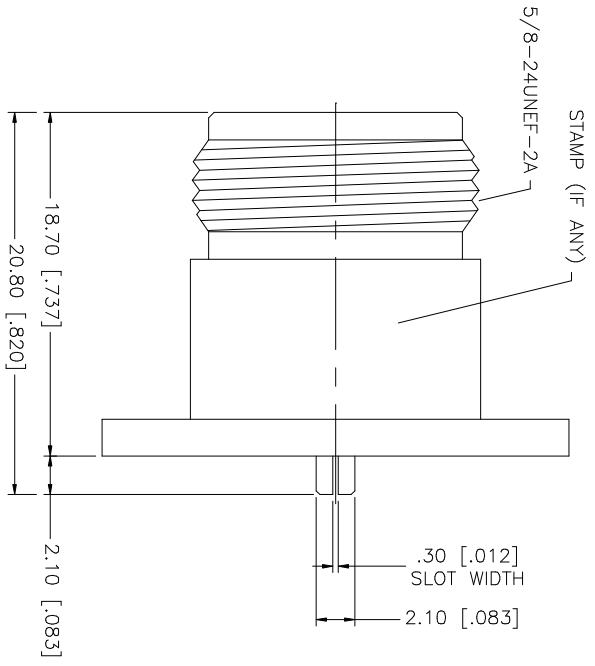


REV.	DATE	DESCRIPTION
A	06/05/03	UPDATE DRAWING FORMAT
B	07/28/06	ADD SLOT DIMENSION NOTE



NOTE:  
 1. SLOT DIMENSIONS AS FOLLOWS:  
 172121 - 0.012 SLOT  
 172121-10 - 0.020 SLOT  
 172121-11 - 0.028 SLOT  
 172121-12 - 0.035 SLOT

UNLESS OTHERWISE SPECIFIED DIMENSIONS ARE IN MILLIMETERS DIMENSIONS IN [ ] ARE IN INCHES AND FOR CUSTOMER REFERENCE ONLY.	UNLESS OTHERWISE SPECIFIED DIMENSIONS ARE IN MILLIMETERS DIMENSIONS IN [ ] ARE IN INCHES AND FOR CUSTOMER REFERENCE ONLY.	UNLESS OTHERWISE SPECIFIED DIMENSIONS ARE IN MILLIMETERS DIMENSIONS IN [ ] ARE IN INCHES AND FOR CUSTOMER REFERENCE ONLY.	UNLESS OTHERWISE SPECIFIED DIMENSIONS ARE IN MILLIMETERS DIMENSIONS IN [ ] ARE IN INCHES AND FOR CUSTOMER REFERENCE ONLY.	UNLESS OTHERWISE SPECIFIED DIMENSIONS ARE IN MILLIMETERS DIMENSIONS IN [ ] ARE IN INCHES AND FOR CUSTOMER REFERENCE ONLY.	UNLESS OTHERWISE SPECIFIED DIMENSIONS ARE IN MILLIMETERS DIMENSIONS IN [ ] ARE IN INCHES AND FOR CUSTOMER REFERENCE ONLY.
8					
7					
6					
5					
4					
3	CONTACT PIN	PHOS. BRONZE	GOLD	1	
2	INSULATOR	TEFLON	NATURAL	1	
1	BODY	BRASS	NEXCOTE	1	
	DESCRIPTION	MATERIAL	FINISH	QTY	

APPROVALS	DATE	PART DESCRIPTION
DRAWN G.R.S.	07/28/06	N PANEL RECEPTACLE JACK
CHECKED		
ISSUED		
SHEET 1 OF 1		PART NO. 172121
CAD FILE C:/172/172121.DWG		DWG. NO. 172121.DWG
		REV. B
		SIZE A
		SCALE NA

**Amphenol Connex**