

A

B

C

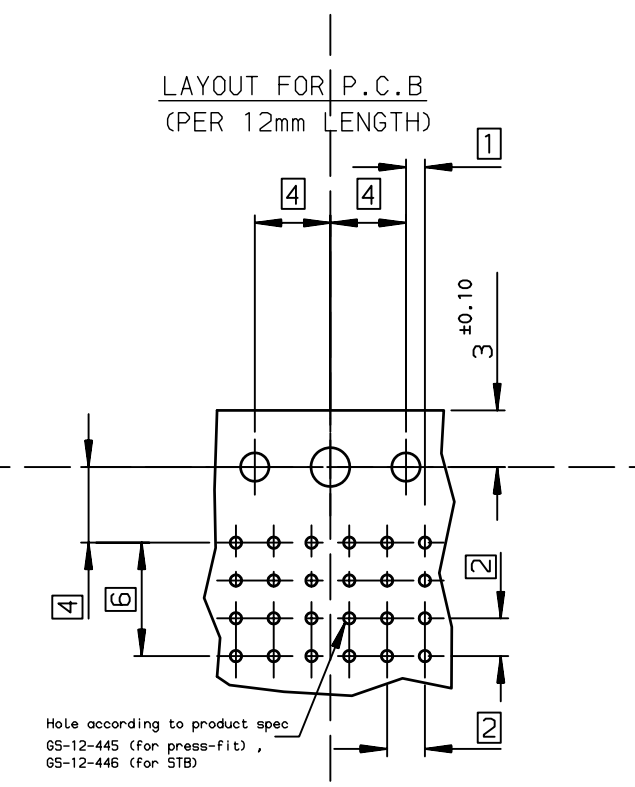
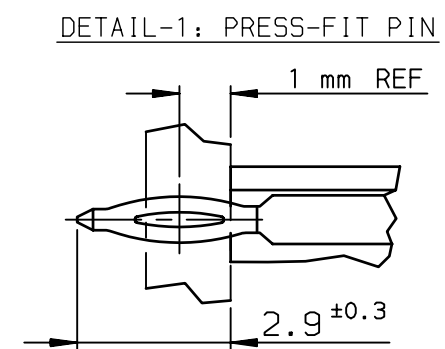
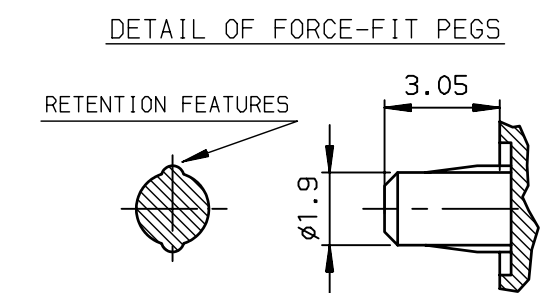
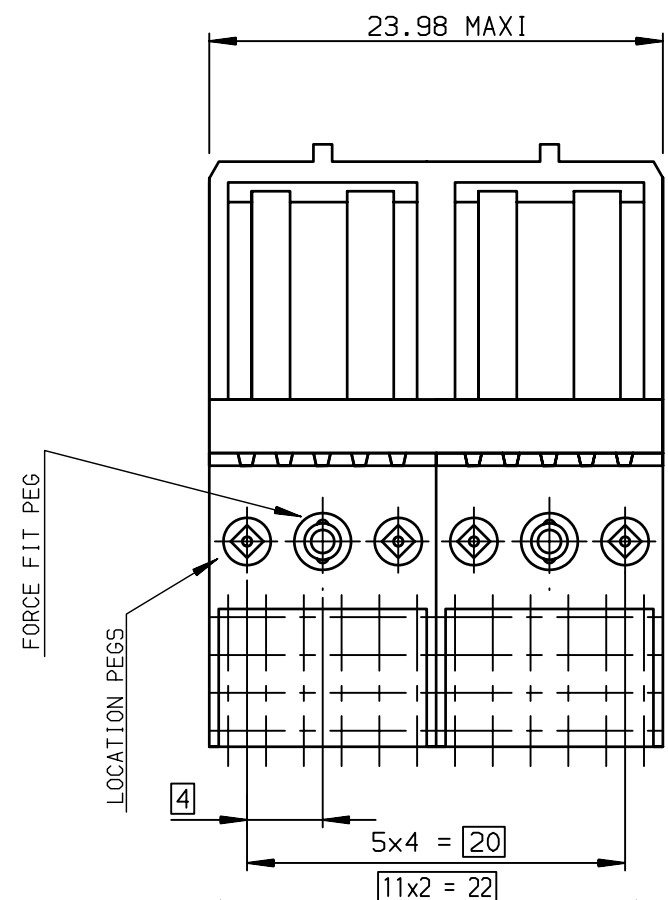
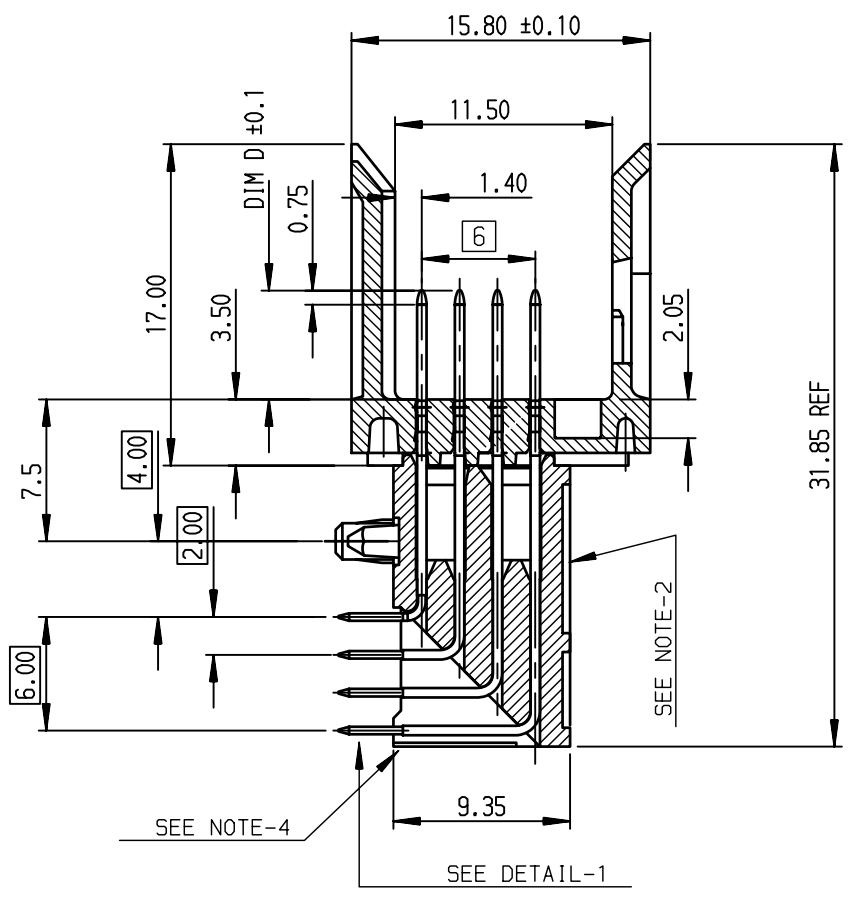
D

A

B

C

D



Part Number: HM1L42xDP485H6P / ---485H6PLF

MATING LENGTH DIM-P / REPLACE 'x' BY:

	ROW-A	ROW-B	ROW-C	ROW-D
D =	6.50	6.50	6.50	6.50

SEE NOTE-7

GENERAL CHARACTERISTICS AND ROHS INFORMATIONS:
SEE PRODUCT SPECIFICATION GS-12-445

- NOTE-1: FLAT ROCK INSERTION TOOLING, ON ALL THIS SURFACE
- NOTE-2: EYE OF THE NEEDLE PRESS FIT PIN TYPE
- NOTE-3: REAR END SUPPORT FOR BETTER ASSY ON PCB
- NOTE-4: PACKAGING IN TRAY + COVER
IF SUFFIX "P" IS ADDED IN P/N PACKAGING IS IN TRAYS
BUT CONNECTOR MARKING IS WITHOUT "P"
EXAMPLE: HM1XXXXXXXXH6P, MARKED HM1XXXXXXXXH6
- NOTE-5: INSULATOR MATERIAL: GLASS FILLED THERMOPLASTIC MATERIAL, (VAPOR PHASE OR INFRARED COMPATIBLE), FLAMMABILITY RATING UL94-V-0.
- NOTE-6: SPECIFIC REQUIREMENT DESIGNATIONS, FOR THE ROW AND COLUMN DESIGNATION MARKINGS ROTATED 180 DEGREES

rev	ecn no	dr	date
E	-	-	2005/03/07
F	LS06-0131	MLE	2006/08/24
G	LS07-0089	LGO	2007/03/28
H	LS07-0184	MLE	2007/07/27
-	-	-	-
-	-	-	-
-	-	-	-

www.fciconnect.com		surface ISO 1302 ✓	tolerance std ISO 406 ISO 1101	projection mm
TOLERANCES UNLESS OTHERWISE SPECIFIED				
Dr	GOISNARD	27/03/07	ANGULAR	0.X ±0.1
Eng	LENOIR	2004/10/01	LINEAR	0.XX ±0.1
Chr	LEGARE	2004/10/01	0.XX' ±2'	0.XXX ±0.1
Appr	LEGARE	2004/10/01	Product family	METRAL
title METRAL HDR WB 4R PF WITH FRONT HSG ROTATED 180°				size A3
catalog no				Scale 2.5
dwg no C-8626-11263				ECN LS07-0184
CUSTOMER				Spec ref -
sheet 1 of 1				Rev. H

European Views