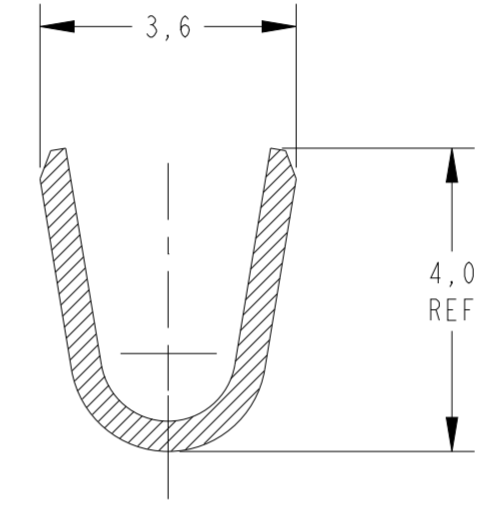
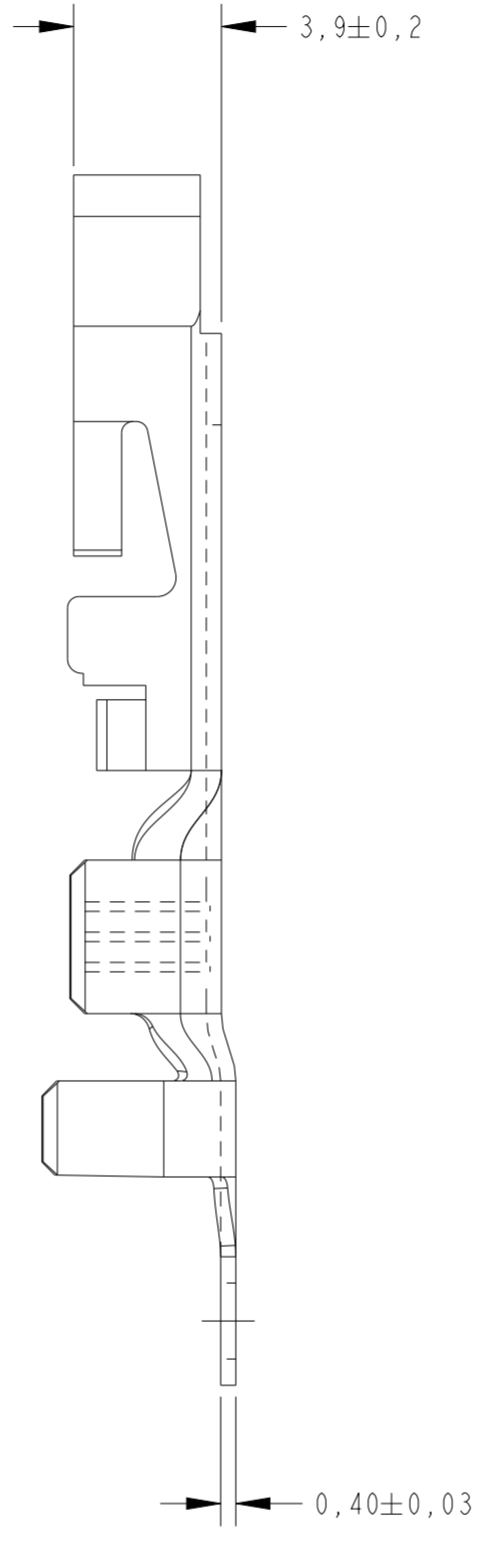
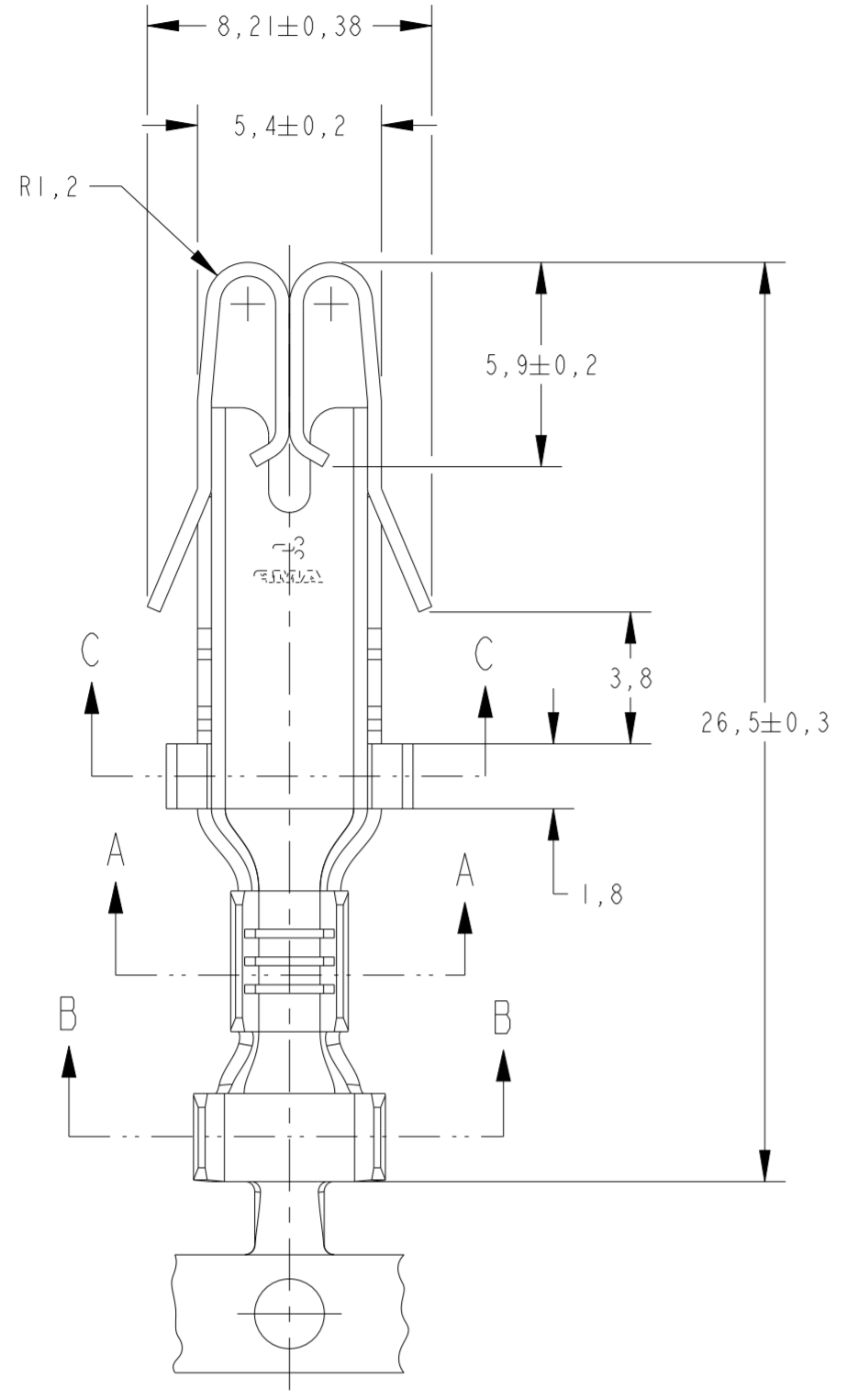


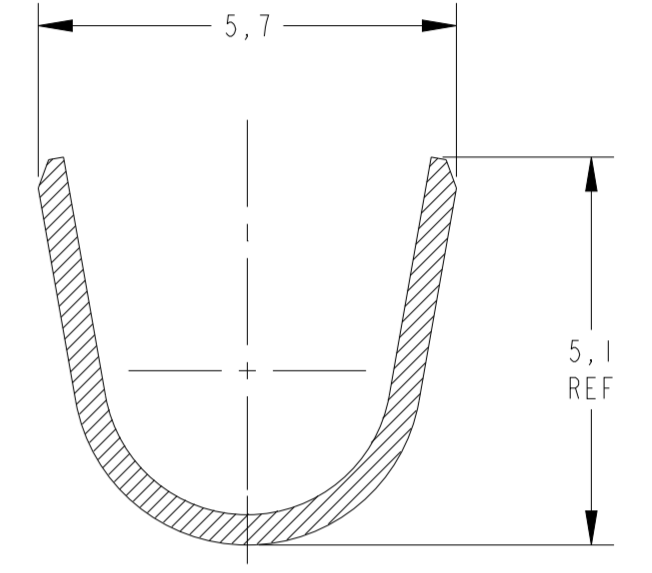
THIS DRAWING IS UNPUBLISHED. RELEASED FOR PUBLICATION 20  
 © COPYRIGHT 20 BY - ALL RIGHTS RESERVED.

**creo**  
 Creo Parametric 2.0  
**DO NOT REVISE**  
**EXCEPT BY CAD**

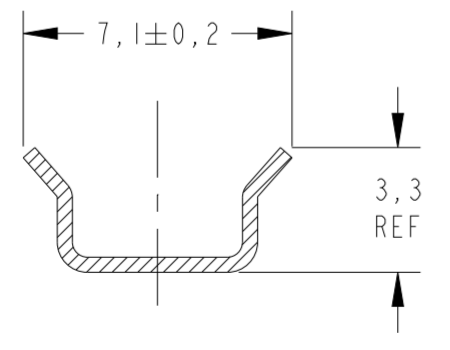
REVISIONS					
P	LTR	DESCRIPTION	DATE	DWN	APVD
K		REDRAW BY CAD ECO-14-013531	08SEP2014	NCL	LWP
L		REVISED DRAWING ECO-14-019222	27APR2015	NCL	GOJ
LI		REVISION PER ECN-22-144268	13JUN2022	AP	MT



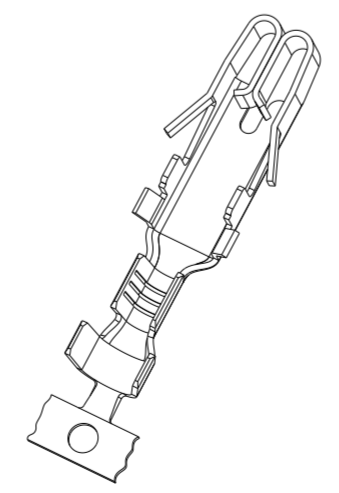
SECTION A-A  
 SCALE 10:1



SECTION B-B  
 SCALE 10:1



SECTION C-C



PERSPECTIVE VIEW  
 SCALE 2:1

OBSOLETE	WIRE RANGE >1,0-2,5mm <sup>2</sup>	PRE-ESTANHADO / PRE TINNED	LATÃO / BRASS	880398-2
	INSUL RANGE ∅ 2,3-3,5mm	FINISH	LATÃO / BRASS	880398-1
THIS DRAWING IS A CONTROLLED DOCUMENT.		DWN NCLAPRESA 15 JAN 2013	TE Connectivity <b>FUSE CONTACT</b>	
DIMENSIONS: mm		CHK JRGOLDSCHMIDT 15 JAN 2013		
TOLERANCES UNLESS OTHERWISE SPECIFIED:		APVD DAOLIVEIRA 15 JAN 2013		
0 PLC ± 1 PLC ±0,5 2 PLC ± 3 PLC ± 4 PLC ± ANGLES ±° FINISH SEE TABLE		NAME -	SIZE A2	CAGE CODE 00779
MATERIAL SEE TABLE		PRODUCT SPEC -	DRAWING NO C-880398	RESTRICTED TO -
		APPLICATION SPEC -	SCALE 3:1	SHEET OF REV LI
		WEIGHT -	Customer Drawing	