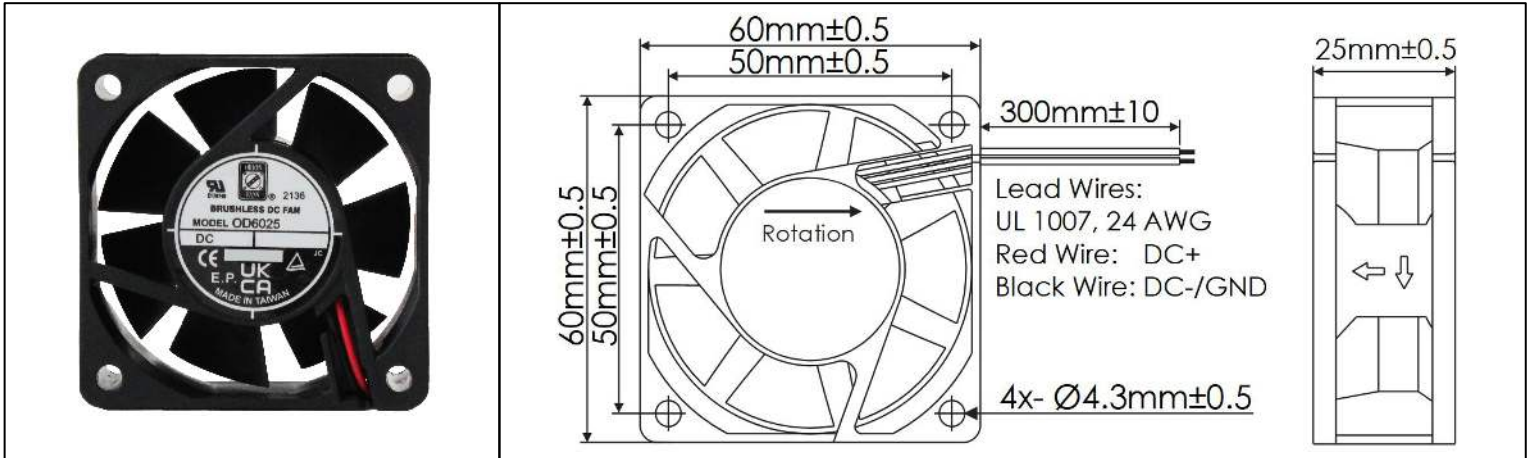


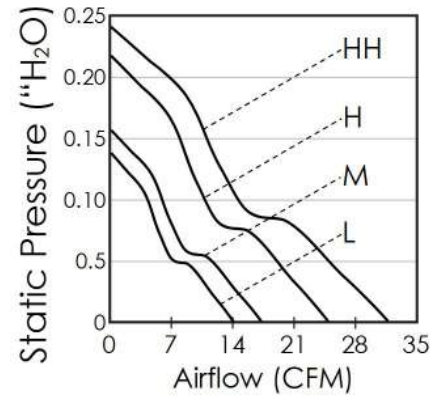
# OD6025 Series



DC Fans - 12, 24, 48V  
60mm x 25mm (2.4" x 1.0")



|                       |   |   |
|-----------------------|---|---|
| Frame                 | PBT, UL94 V-0 Plastic   | <b>Operating Temperature</b><br>-20°C ~ +65°C<br><br><b>Storage Temperature</b><br>-20°C ~ +70°C<br><br><b>Life Expectancy</b><br>60,000 Hours (L10 at 45°C)<br><br><b>Available Options</b><br>PWM Speed Control Input<br>Tachometer Output<br>Alarm Output<br>5V DC Versions<br>IP and Salt Fog Ratings<br><br>Weight: 0.14 lbs |
| Impeller              | PBT, UL94 V-0 Plastic   |   |
| Connection            | 2x Lead Wires, 24 AWG   |   |
| Motor                 | Brushless DC, Auto Cutoff, Auto Restart, Polarity Protected, Electronically Protected |   |
| Bearing System        | Ball Bearings   |   |
| Dielectric Strength   | 500VDC/min, <1mA  |   |
| Insulation Resistance | ≥10MΩ @ 500 VDC   |   |

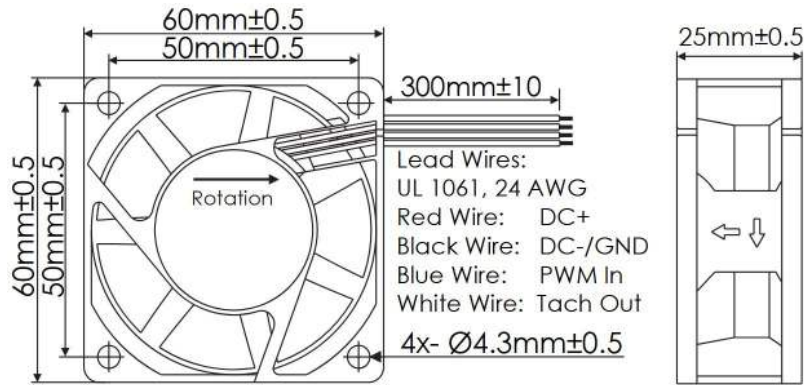


| Part Number  | Rated Voltage (Volts DC) | Voltage Range (Volts DC) | Input Power (Watts) | Rated Current (Amps) | Rated Speed (RPM) | Max Airflow (CFM) | Noise Level (dBA) | Max Static Pressure ("H <sub>2</sub> O) |
|--------------|--------------------------|--------------------------|---------------------|----------------------|-------------------|-------------------|-------------------|---|
| OD6025-12HHB | 12                       | 8 ~ 13.8                 | 1.8                 | 0.21                 | 4390              | 32                | 32                | 0.24                                    |
| OD6025-12HB  | 12                       | 8 ~ 13.8                 | 1.8                 | 0.15                 | 3975              | 25                | 30                | 0.22                                    |
| OD6025-12MB  | 12                       | 8 ~ 13.8                 | 1.5                 | 0.12                 | 3150              | 17                | 25                | 0.16                                    |
| OD6025-12LB  | 12                       | 8 ~ 13.8                 | 1.0                 | 0.08                 | 2480              | 14                | 20                | 0.14                                    |
| OD6025-24HHB | 24                       | 15 ~ 26.4                | 3.6                 | 0.15                 | 4390              | 32                | 32                | 0.24                                    |
| OD6025-24HB  | 24                       | 15 ~ 26.4                | 2.8                 | 0.12                 | 3975              | 25                | 30                | 0.22                                    |
| OD6025-24MB  | 24                       | 15 ~ 26.4                | 2.2                 | 0.09                 | 3150              | 17                | 25                | 0.16                                    |
| OD6025-24LB  | 24                       | 15 ~ 26.4                | 1.5                 | 0.06                 | 2480              | 14                | 20                | 0.14                                    |
| OD6025-48HHB | 48                       | 28 ~ 52.0                | 3.4                 | 0.10                 | 4390              | 32                | 32                | 0.24                                    |
| OD6025-48HB  | 48                       | 28 ~ 52.0                | 3.4                 | 0.07                 | 3975              | 25                | 30                | 0.23                                    |

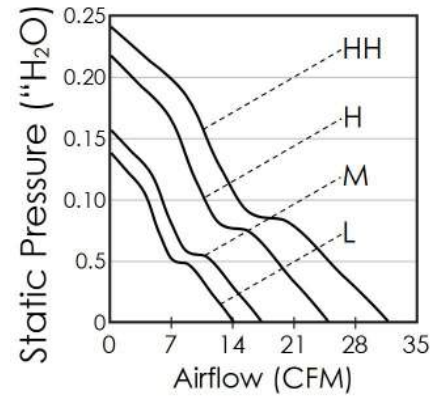
# OD6025 Series with PWM and Tach



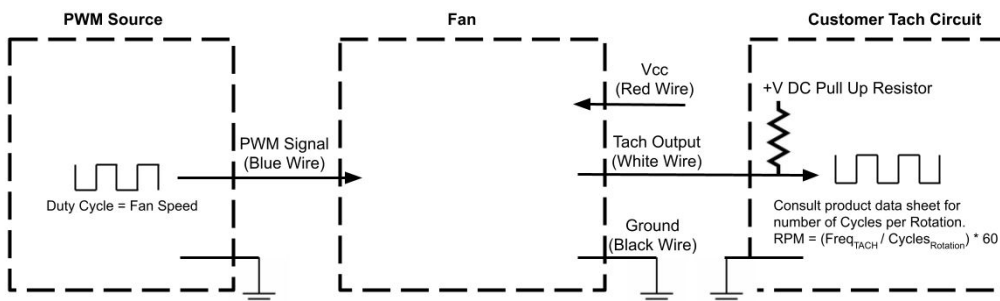
DC Fans - 12, 24, 48V  
60mm x 25mm (2.4" x 1.0")



|                       |   |  |
|-----------------------|---|--|
| Frame                 | PBT, UL94 V-0 Plastic   | Operating Temperature<br>-20°C ~ +65°C                                     |
| Impeller              | PBT, UL94 V-0 Plastic   |  |
| Connection            | 4x Lead Wires, 24 AWG   | Storage Temperature<br>-20°C ~ +70°C                                       |
| Motor                 | Brushless DC, Auto Cutoff, Auto Restart, Polarity Protected, Electronically Protected |  |
| Bearing System        | Ball Bearings   | Life Expectancy<br>60,000 Hours (L10 at 45°C)                              |
| Dielectric Strength   | 500VDC/min, <1mA  |  |
| Insulation Resistance | ≥10MΩ @ 500 VDC   | Installed Options<br>PWM Speed Control Input<br>Open Collector Tach Output |
|                       |   | Weight: 0.14 lbs   |



| Part Number     | Rated Voltage (Volts DC) | Voltage Range (Volts DC) | Input Power (Watts) | Rated Current (Amps) | Rated Speed (RPM) | Max Airflow (CFM) | Noise Level (dBA) | Max Static Pressure ("H <sub>2</sub> O) |
|-----------------|--------------------------|--------------------------|---------------------|----------------------|-------------------|-------------------|-------------------|---|
| OD6025-12HHB10A | 12                       | 8 ~ 13.8                 | 1.8                 | 0.21                 | 4390              | 32                | 32                | 0.24                                    |
| OD6025-12HB10A  | 12                       | 8 ~ 13.8                 | 1.8                 | 0.15                 | 3975              | 25                | 30                | 0.22                                    |
| OD6025-12MB10A  | 12                       | 8 ~ 13.8                 | 1.5                 | 0.12                 | 3150              | 17                | 25                | 0.16                                    |
| OD6025-12LB10A  | 12                       | 8 ~ 13.8                 | 1.0                 | 0.08                 | 2480              | 14                | 20                | 0.14                                    |
| OD6025-24HHB10A | 24                       | 15 ~ 26.4                | 3.6                 | 0.15                 | 4390              | 32                | 32                | 0.24                                    |
| OD6025-24HB10A  | 24                       | 15 ~ 26.4                | 2.8                 | 0.12                 | 3975              | 25                | 30                | 0.22                                    |
| OD6025-24MB10A  | 24                       | 15 ~ 26.4                | 2.2                 | 0.09                 | 3150              | 17                | 25                | 0.16                                    |
| OD6025-24LB10A  | 24                       | 15 ~ 26.4                | 1.5                 | 0.06                 | 2480              | 14                | 20                | 0.14                                    |
| OD6025-48HHB10A | 48                       | 28 ~ 52.0                | 3.4                 | 0.10                 | 4390              | 32                | 32                | 0.24                                    |
| OD6025-48HB10A  | 48                       | 28 ~ 52.0                | 3.4                 | 0.07                 | 3975              | 25                | 30                | 0.23                                    |

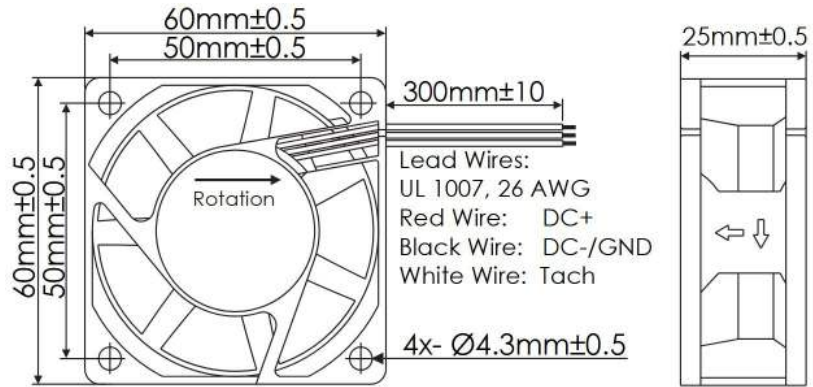


- Tach Max Pullup Voltage: Fan Vcc
- Tach Max Sink Current: 8mA
- Tach Cycles per Rotation: 2
- PWM Max High Voltage: 5V
- PWM Max Sink Current: 5mA
- PWM Frequency Range: 1KHz-40KHz
- PWM Typical Frequency: 25KHz
- RPM at 0% Duty Cycle: 0 RPM
- RPM will be full speed if PWM input is disconnected.
- RPM will be 0 RPM if PWM input is grounded.

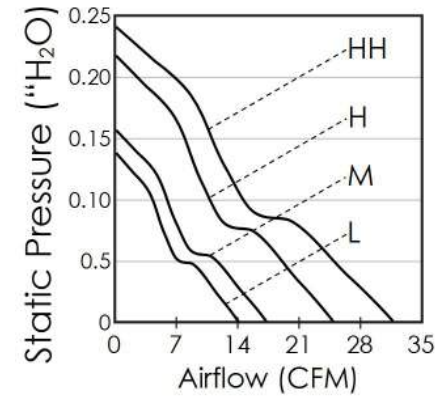
# OD6025 Series with Tach



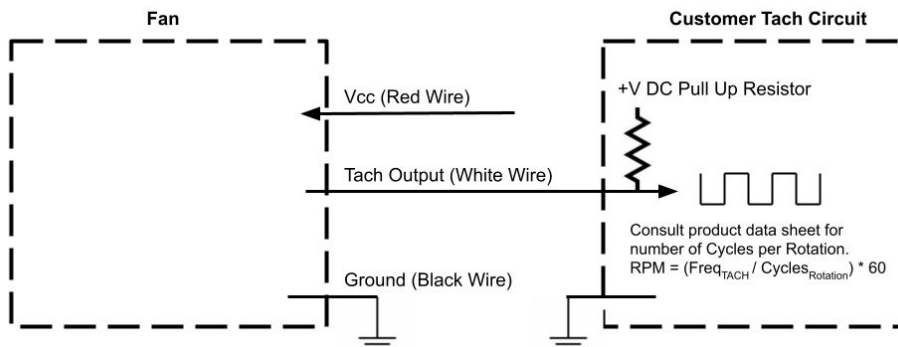
DC Fans - 12, 24, 48V  
60mm x 25mm (2.4" x 1.0")



|                       |   |   |
|-----------------------|---|---|
| Frame                 | PBT, UL94 V-0 Plastic   | <b>Operating Temperature</b><br>-20°C ~ +65°C<br><b>Storage Temperature</b><br>-20°C ~ +70°C<br><b>Life Expectancy</b><br>60,000 Hours (L10 at 45°C)<br><b>Installed Options</b><br>Open Collector Tach Output<br><b>Available Options</b><br>5V TTL Tach Output<br><b>Weight:</b> 0.14 lbs |
| Impeller              | PBT, UL94 V-0 Plastic   |   |
| Connection            | 3x Lead Wires, 26 AWG   |   |
| Motor                 | Brushless DC, Auto Cutoff, Auto Restart, Polarity Protected, Electronically Protected |   |
| Bearing System        | Ball Bearings   |   |
| Dielectric Strength   | 500VDC/min, <1mA  |   |
| Insulation Resistance | ≥10MΩ @ 500 VDC   |   |



| Part Number     | Rated Voltage (Volts DC) | Voltage Range (Volts DC) | Input Power (Watts) | Rated Current (Amps) | Rated Speed (RPM) | Max Airflow (CFM) | Noise Level (dBA) | Max Static Pressure ("H <sub>2</sub> O) |
|-----------------|--------------------------|--------------------------|---------------------|----------------------|-------------------|-------------------|-------------------|---|
| OD6025-12HHB01A | 12                       | 8 ~ 13.8                 | 1.8                 | 0.21                 | 4390              | 32                | 32                | 0.24                                    |
| OD6025-12HB01A  | 12                       | 8 ~ 13.8                 | 1.8                 | 0.15                 | 3975              | 25                | 30                | 0.22                                    |
| OD6025-12MB01A  | 12                       | 8 ~ 13.8                 | 1.5                 | 0.12                 | 3150              | 17                | 25                | 0.16                                    |
| OD6025-12LB01A  | 12                       | 8 ~ 13.8                 | 1.0                 | 0.08                 | 2480              | 14                | 20                | 0.14                                    |
| OD6025-24HHB01A | 24                       | 15 ~ 26.4                | 3.6                 | 0.15                 | 4390              | 32                | 32                | 0.24                                    |
| OD6025-24HB01A  | 24                       | 15 ~ 26.4                | 2.8                 | 0.12                 | 3975              | 25                | 30                | 0.22                                    |
| OD6025-24MB01A  | 24                       | 15 ~ 26.4                | 2.2                 | 0.09                 | 3150              | 17                | 25                | 0.16                                    |
| OD6025-24LB01A  | 24                       | 15 ~ 26.4                | 1.5                 | 0.06                 | 2480              | 14                | 20                | 0.14                                    |
| OD6025-48HHB01A | 48                       | 28 ~ 52.0                | 3.4                 | 0.10                 | 4390              | 32                | 32                | 0.24                                    |
| OD6025-48HB01A  | 48                       | 28 ~ 52.0                | 3.4                 | 0.07                 | 3975              | 25                | 30                | 0.23                                    |

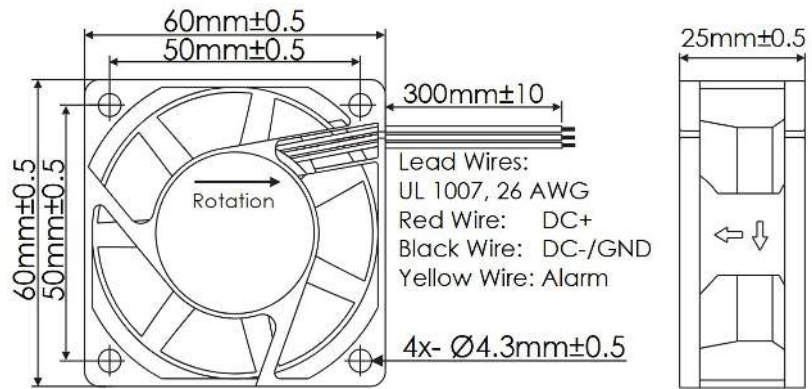


Tach Max Pullup Voltage: Fan Vcc  
 Tach Max Sink Current: 8mA  
 Tach Cycles per Rotation: 2

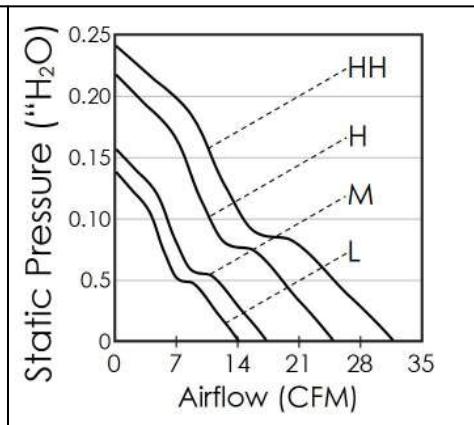
# OD6025 Series with Alarm



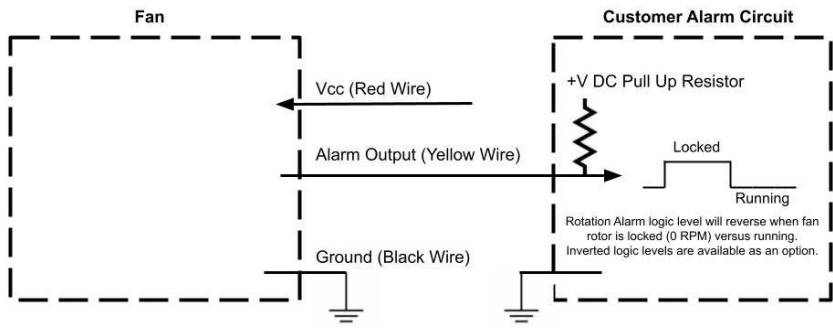
DC Fans - 12, 24, 48V  
60mm x 25mm (2.4" x 1.0")



|                       |   |   |
|-----------------------|---|---|
| Frame                 | PBT, UL94 V-0 Plastic   | Operating Temperature<br>-20°C ~ +65°C<br>Storage Temperature<br>-20°C ~ +70°C<br>Life Expectancy<br>60,000 Hours (L10 at 45°C) |
| Impeller              | PBT, UL94 V-0 Plastic   |   |
| Connection            | 3x Lead Wires, 26 AWG   | Installed Options<br>Open Collector Alarm Output<br>Available Options<br>Inverted Alarm Logic States<br>5V TTL Alarm Output     |
| Motor                 | Brushless DC, Auto Cutoff, Auto Restart, Polarity Protected, Electronically Protected |   |
| Bearing System        | Ball Bearings   | Weight: 0.14 lbs  |
| Dielectric Strength   | 500VDC/min, <1mA  |   |
| Insulation Resistance | ≥10MΩ @ 500 VDC   |   |



| Part Number     | Rated Voltage (Volts DC) | Voltage Range (Volts DC) | Input Power (Watts) | Rated Current (Amps) | Rated Speed (RPM) | Max Airflow (CFM) | Noise Level (dBA) | Max Static Pressure ("H <sub>2</sub> O) |
|-----------------|--------------------------|--------------------------|---------------------|----------------------|-------------------|-------------------|-------------------|---|
| OD6025-12HHB02A | 12                       | 8 ~ 13.8                 | 1.8                 | 0.21                 | 4390              | 32                | 32                | 0.24                                    |
| OD6025-12HB02A  | 12                       | 8 ~ 13.8                 | 1.8                 | 0.15                 | 3975              | 25                | 30                | 0.22                                    |
| OD6025-12MB02A  | 12                       | 8 ~ 13.8                 | 1.5                 | 0.12                 | 3150              | 17                | 25                | 0.16                                    |
| OD6025-12LB02A  | 12                       | 8 ~ 13.8                 | 1.0                 | 0.08                 | 2480              | 14                | 20                | 0.14                                    |
| OD6025-24HHB02A | 24                       | 15 ~ 26.4                | 3.6                 | 0.15                 | 4390              | 32                | 32                | 0.24                                    |
| OD6025-24HB02A  | 24                       | 15 ~ 26.4                | 2.8                 | 0.12                 | 3975              | 25                | 30                | 0.22                                    |
| OD6025-24MB02A  | 24                       | 15 ~ 26.4                | 2.2                 | 0.09                 | 3150              | 17                | 25                | 0.16                                    |
| OD6025-24LB02A  | 24                       | 15 ~ 26.4                | 1.5                 | 0.06                 | 2480              | 14                | 20                | 0.14                                    |
| OD6025-48HHB02A | 48                       | 28 ~ 52.0                | 3.4                 | 0.10                 | 4390              | 32                | 32                | 0.24                                    |
| OD6025-48HB02A  | 48                       | 28 ~ 52.0                | 3.4                 | 0.07                 | 3975              | 25                | 30                | 0.23                                    |



Alarm Max Pullup Voltage: Fan Vcc  
 Alarm Max Sink Current: 5mA  
 Alarm Active Logic State: High