

LAYOUT SHOWN AS EXAMPLE

Keying Shown as example

**CHARACTERISTICS**

- Standard : Based on MIL-DTL-38999 Series III
- Shell Material : Aluminium
- Shell Plating : Nickel
- Insulator : Thermoplastic
- Contacts : Copper Alloy
- Seals & Grommet : Silicon Elastomer
- Contact Plating : Gold over copper Alloy 0.8µm minimum
- Durability : 500 Mating cycles
- Delivered with Souriau contacts and Accessories
- Temperature Range : -65°C to +200°C
- Salt Spray : 48 hours
- Mass : 27.83 g ± 10%

Connector dimension	
Dim	Nominal
P	3.25±0.2
PP	4.93±0.2
R1	26.97
R2	24.61
S	33.3±0.3
V	20.83+0/-1.25
W	2.1/2.5
Z	31.5 Max
VV THREAD	M25x1-6g

SOURIAU shall not be liable for any non-conformity or damage due to a use of the Products which does not comply with the Specifications issued by either of the Parties or by a third party (professional recommendation, technical notice.)

Country	Jurisdiction & Control List
FR	Not Listed

**PN: 8D017F99AE**

B	10-04-17	Drawing Update	
ISS	DATE	Latest modification - by	MOD N°
Designed By:		Date:	<b>CUSTOMER DRAWING</b>
<b>TITLE</b>	<b>Aluminium Receptacle 8D series</b>		
SCALE	NA	General linear Tolerances: ±--	NPRDS / PROJECT <b>859</b>
<b>SOURIAU</b>	<b>WWW.SOURIAU.COM</b>		This document is the property of SOURIAU it must not be reproduced or communicated without permission
FORMAT	<b>A3</b>		<b>SOURIAU DRG N° 8D017F99AE-C</b>
			SHEET 1/2

BASIC SERIES: 8D 0 - 17 F 99 A E

SHELL TYPE : Square Flange Receptacle

CONTACT TYPE : Standard Crimp Contact

SHELL SIZE : 17

PLATING : F = Nickel

ORIENTATION : E

CONTACT TYPE : PIN(500 Matings)

CONTACT LAYOUT : 17-99

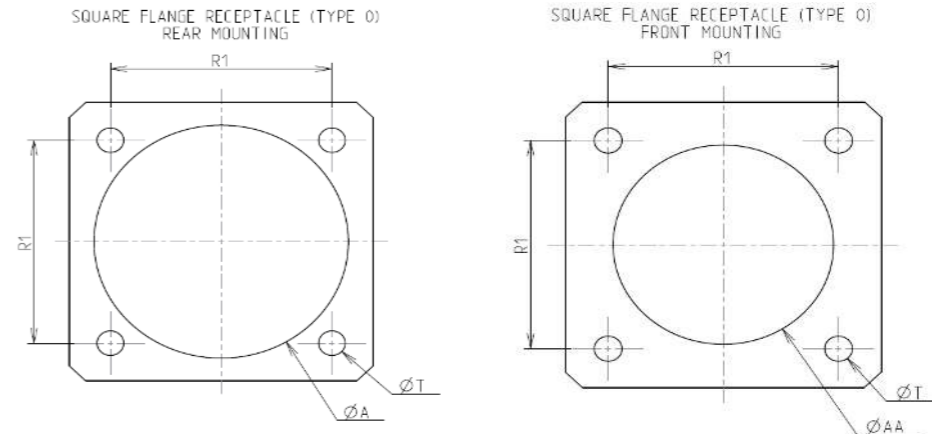
Contact Layout



Contacts (Insert arrangement 17-99)					
Contact position ID	Contact location		Contact position ID	Contact location	
	X-axis (mm)	Y-axis (mm)		X-axis (mm)	Y-axis (mm)
A	.000 (0.00)	+321 (8.15)	N	-305 (7.75)	+099 (2.51)
B	+131 (3.33)	+293 (7.44)	P	-239 (6.07)	+214 (5.44)
C	+239 (6.07)	+214 (5.44)	R	-131 (3.33)	+293 (7.44)
D	-305 (7.75)	-099 (2.51)	e	070 (1.78)	-177 (4.50)
E	+319 (8.10)	-034 (0.86)	T	+070 (1.78)	+177 (4.50)
F	+278 (7.06)	-161 (4.09)	U	+175 (4.45)	+094 (2.39)
G	+189 (4.80)	-260 (6.60)	V	+150 (3.81)	-075 (1.91)
H	+067 (1.70)	-314 (7.98)	W	+000 (0.00)	-161 (4.09)
J	-067 (1.70)	-314 (7.98)	X	-150 (3.81)	-075 (1.91)
K	-189 (4.80)	-260 (6.60)	Y	-175 (4.45)	+094 (2.39)
L	-278 (7.06)	-161 (4.09)	Z	+000 (0.00)	+025 (0.64)
M	-319 (8.10)	-034 (0.86)			

Shell size	Arrangement no.	Number of contacts	Size contacts	Service rating	Contact position ID	Supersedes
17	-99	2	16	I	W, Z	MS20053-99
		21	20		All others	

Panel Cutout



Max. thickness panel for receptacle: Type 0: front mounting = 3.2 mm, rear mounting = 2.5 mm

Dim	Nominal
ØA	30.96 min
ØAA	25.81 min
R1	26.97
ØT	3.25 ±0.13

SOURIAU shall not be liable for any non-conformity or damage due to a use of the Products which does not comply with the Specifications issued by either of the Parties or by a third party (professional recommendation, technical notice.)

Country	Jurisdiction & Control List
FR	Not Listed

PN: 8D017F99AE

B	10-04-17	Drawing Update	
ISS	DATE	Latest modification - by	MOD N°
Designed By:		Date:	<b>CUSTOMER DRAWING</b>
<b>TITLE</b>		Aluminium Receptacle 8D series	
SCALE		General linear Tolerances:	NPRDS / PROJECT
NA		±--	<b>859</b>
<b>SOURIAU</b>		WWW.SOURIAU.COM	
		This document is the property of SOURIAU it must not be reproduced or communicated without permission	
FORMAT	SOURIAU DRG N°		SHEET
A3	8D017F99AE-C		2/2