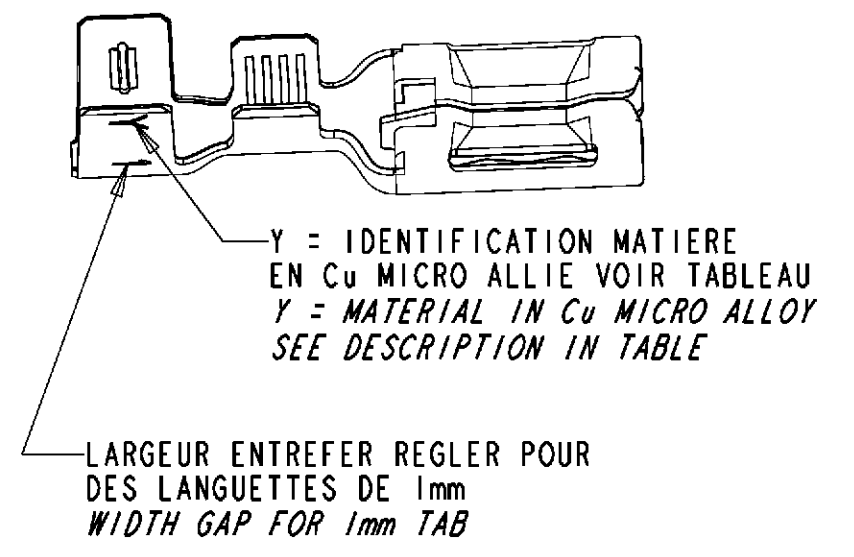
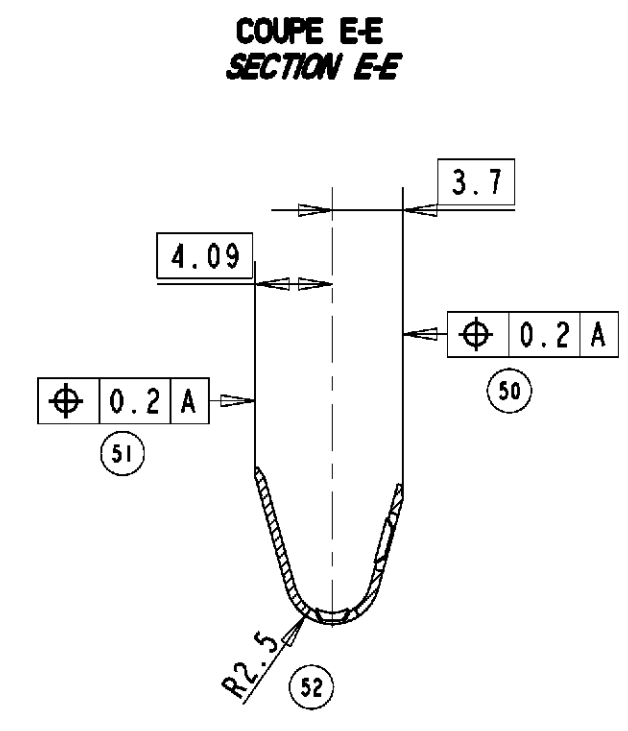
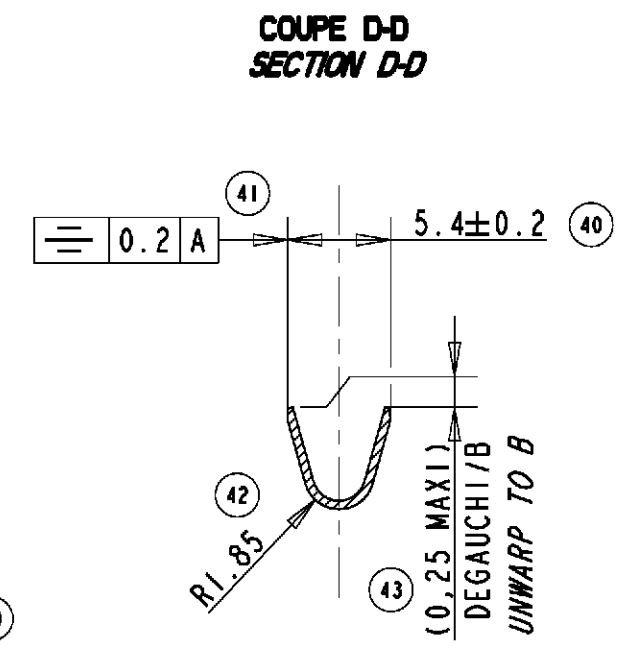
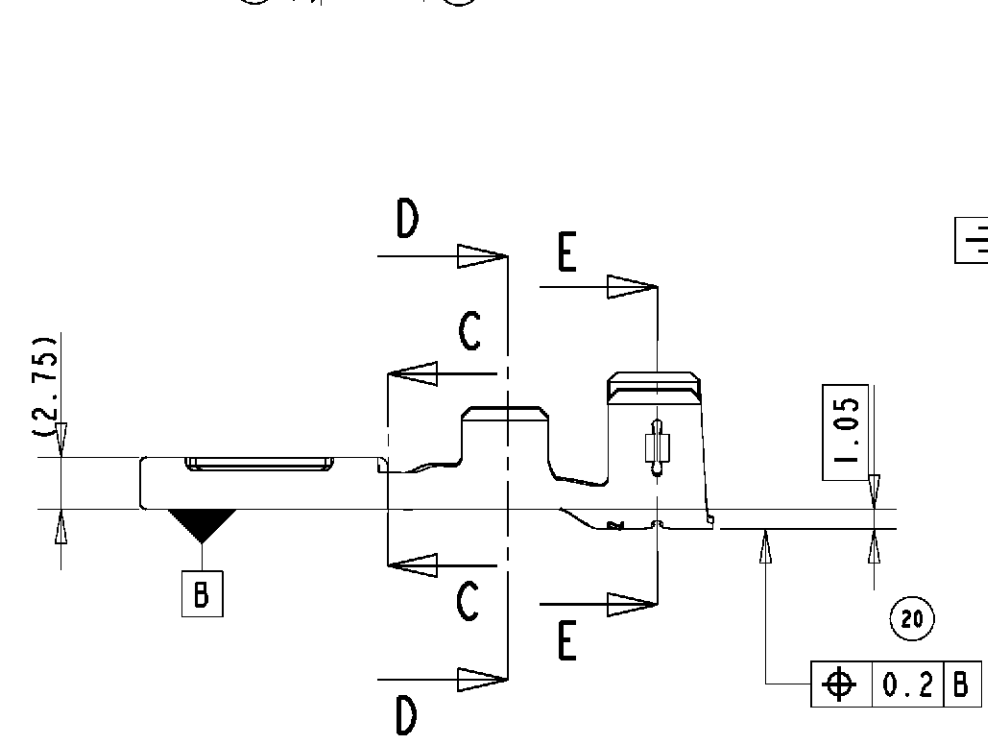
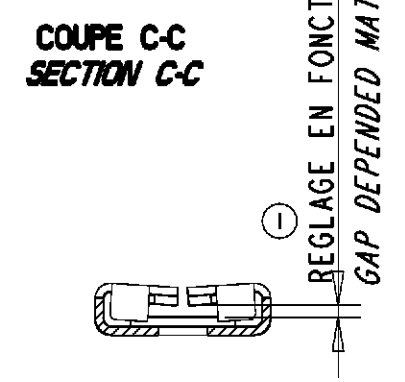
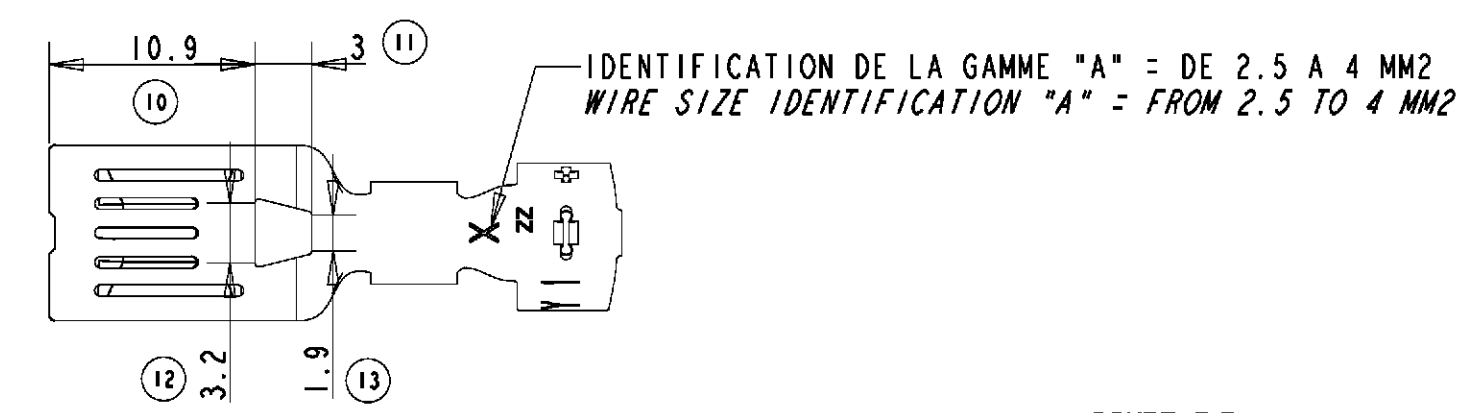


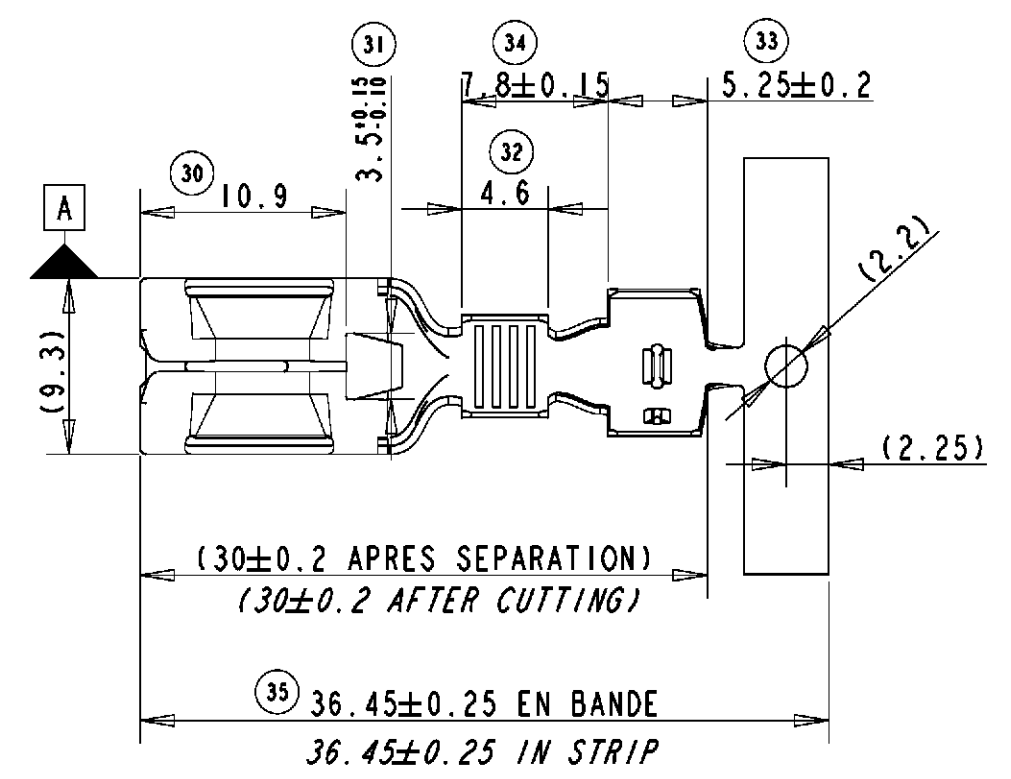
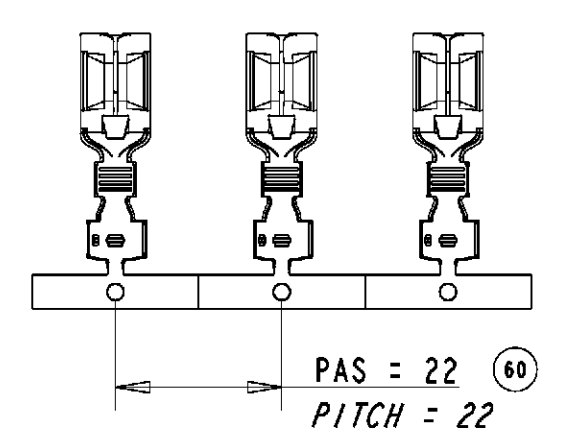
THIS DRAWING IS UNPUBLISHED.  
 DIFFUSION RESTREINTE  
 © COPYRIGHT 2011  
 ALL RIGHTS RESERVED.  
 TOUS DROITS RESERVES

RELEASED FOR PUBLICATION  
 LIBRE A LA DIFFUSION  
 2011

LOC	DIST	REVISIONS					
F	00	P	LTR	DESCRIPTION MODIFICATIONS	DATE	DWN DESS.	APVD APP.
		A		FIRST ISSUE	13SEP2007	PFs	JDr
		B		ADD NG9K SEALS, HEAD FORMS SET UP.	19SEP2008	PFs	JDr
		C		SET UP DIM 31, 33, 34 AND 35.	17JUN2011	PFs	JDr



ECHELLE 1:1  
 SCALE 1:1



NOTA		NOTES	
1	(X) = POUR INFORMATION	1	(X) = FOR INFORMATION
2	CONDITIONNEMENT : VOIR SPECIFICATION 107-15602	2	PACKAGING : SEE SPECIFICATION 107-15602

REFERENCE PN TE	REFERENCE CLIENT CUSTOMER PN	Y : REPERE MATIERE MATERIAL REFERE	MATIERE MATERIAL	TRAITEMENT DE SURFACE HEAT TREATMENT
1544964-1		S	CuNiSi SELON SPECIFICATION: 100-1230 CuNiSi ACCORDING TO SPECIFICATION: 100-1230	PRE-ETAME SnAg DE 1 A 3µ SELON SPECIFICATION 112-73-2 PRE-TINNED SnAg FROM 1 TO 3µ ACCORDING SPECIFICATION 112-73-2
1544964-2		T		PRE-ARGENTE Ag DE 1 A 3µ SELON SPECIFICATIONS 212-7, 112-32 ET 118-91 PRE-SILVERED Ag FROM 1 TO 3µ ACCORDING SPECIFICATIONS 212-7, 112-32 AND 118-91

PRODUIT ASSOCIE / APPLIED PRODUCT			
DESIGNATION DES JOINTS SEALS DESCRIPTION	REFERENCE PN TE	REFERENCE / PN CUSTOMER	COULEUR COLOR
JOINT UNIFILAIRE 3 A 6 MM2 SINGLE WIRE SEAL 3 TO 6 MM2	1544316-1		VERT / GREEN
SUPER JOINT UNIFILAIRE 3 A 6 MM2 SUPER SINGLE WIRE SEAL 3 TO 6 MM2	1544664-1		VERT / GREEN
JOINT UNIFILAIRE NG9K 2.5 A 5 MM2 NG9K SINGLE WIRE SEAL 2.5 TO 5 MM2	1544970-1		MARRON / BROWN
INTERFACE MONTABILITE / INTERFACE CAVITY			
1544953			

THIS DRAWING IS A CONTROLLED DOCUMENT.  
 CE PLAN EST UN DOCUMENT CONTROLÉ PAR AJP INCORPORATED.  
 IL EST SUSCEPTIBLE D'ÊTRE MODIFIÉ. CONTACTER LE SERVICE  
 TECHNIQUE D'APPUI DE FRANCE POUR OBTENIR LA DERNIÈRE RÉVISION.

DIMENSIONS: mm

TOLERANCES UNLESS OTHERWISE SPECIFIED: (SAUF SI DE DÉCIMALES)  
 1. PLC/DEC: ±  
 2. PLC/DEC: ±0.1  
 3. PLC/DEC: ±  
 ANGLÉS FINITION ±2°

MATERIAL MATIERE SEE TABLE

DWN/DESSINE P. FLORES 13SEP07  
 CHK/VERIFIE F. SAPET 13SEP07  
 APVD/APPROUVE J. DAHER 13SEP07

PRODUCT SPEC SPEC. PRODUIT 108-15382  
 APPLICATION SPEC SPEC. APPLICATION 114-15105

WEIGHT MASSE APPROX. 0.0023kg  
 CUSTOMER DRAWING /PLAN CLIENT

UNIQUEMENT POUR REFERENCE

SCALE ECHELLE 5:2

SHEET FEUILLE 1 OF DE 1

REV C

RESTRICTED TO RESERVE A

TE Connectivity

8mm NG1+ FEMALE TERMINAL  
 WIRE SIZE 2.5-4 SQUARE MM

SIZE FORMAT A2  
 CAGE CODE 00779  
 DRAWING NO No PLAN C-1544964