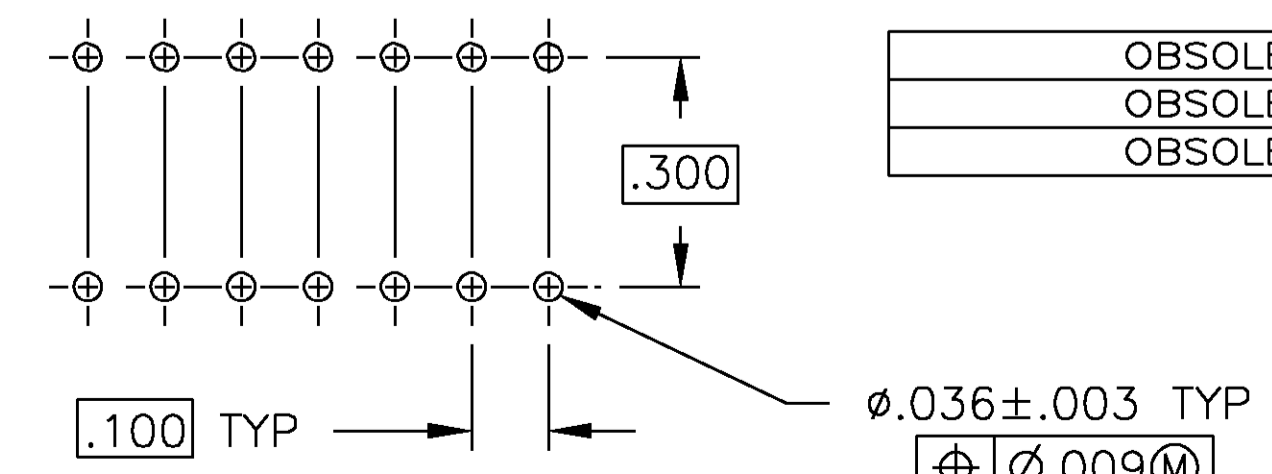
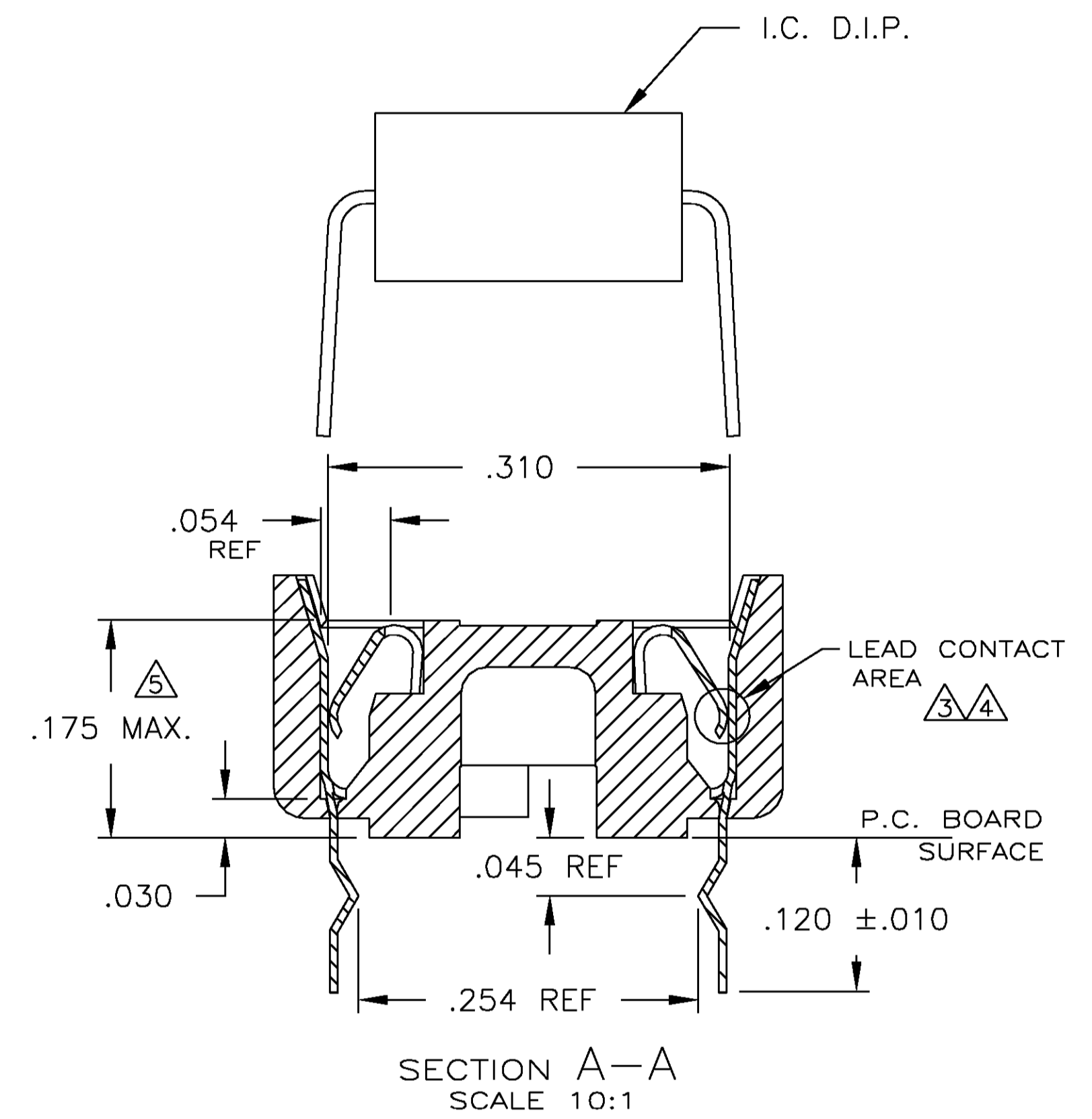
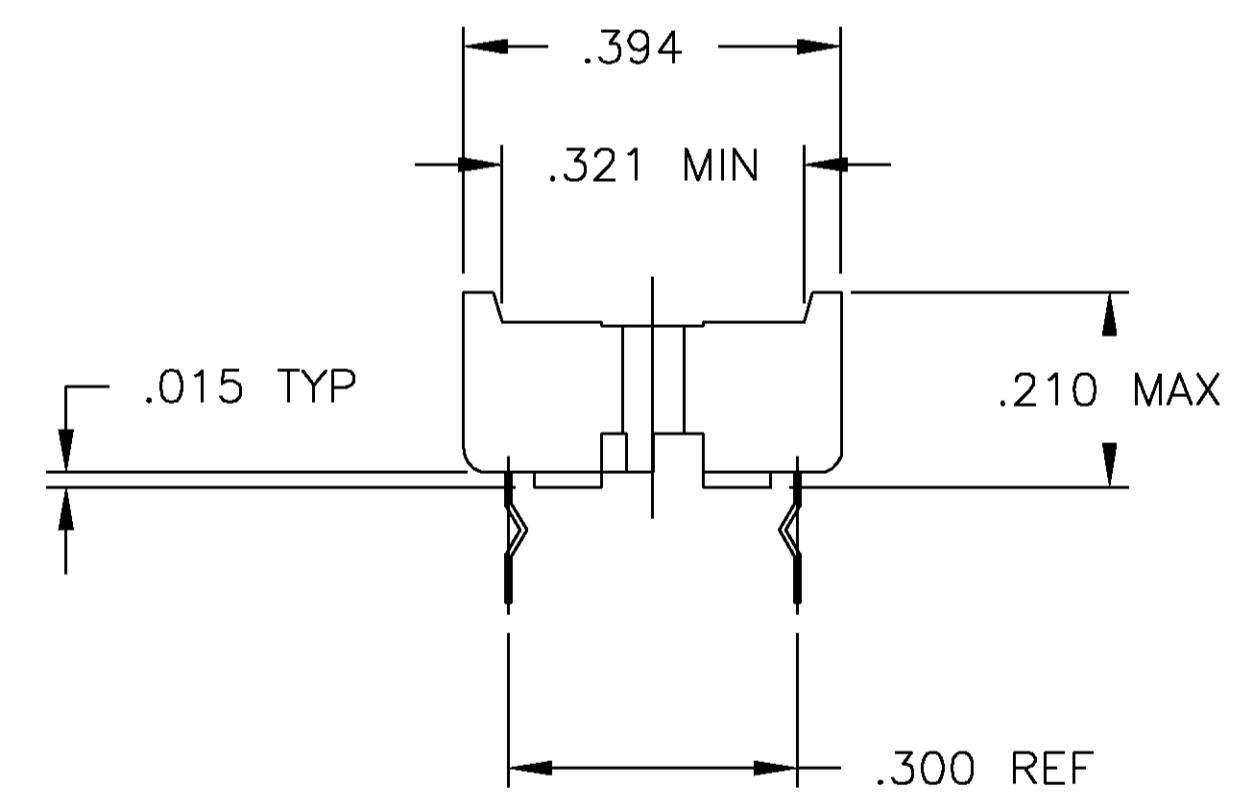
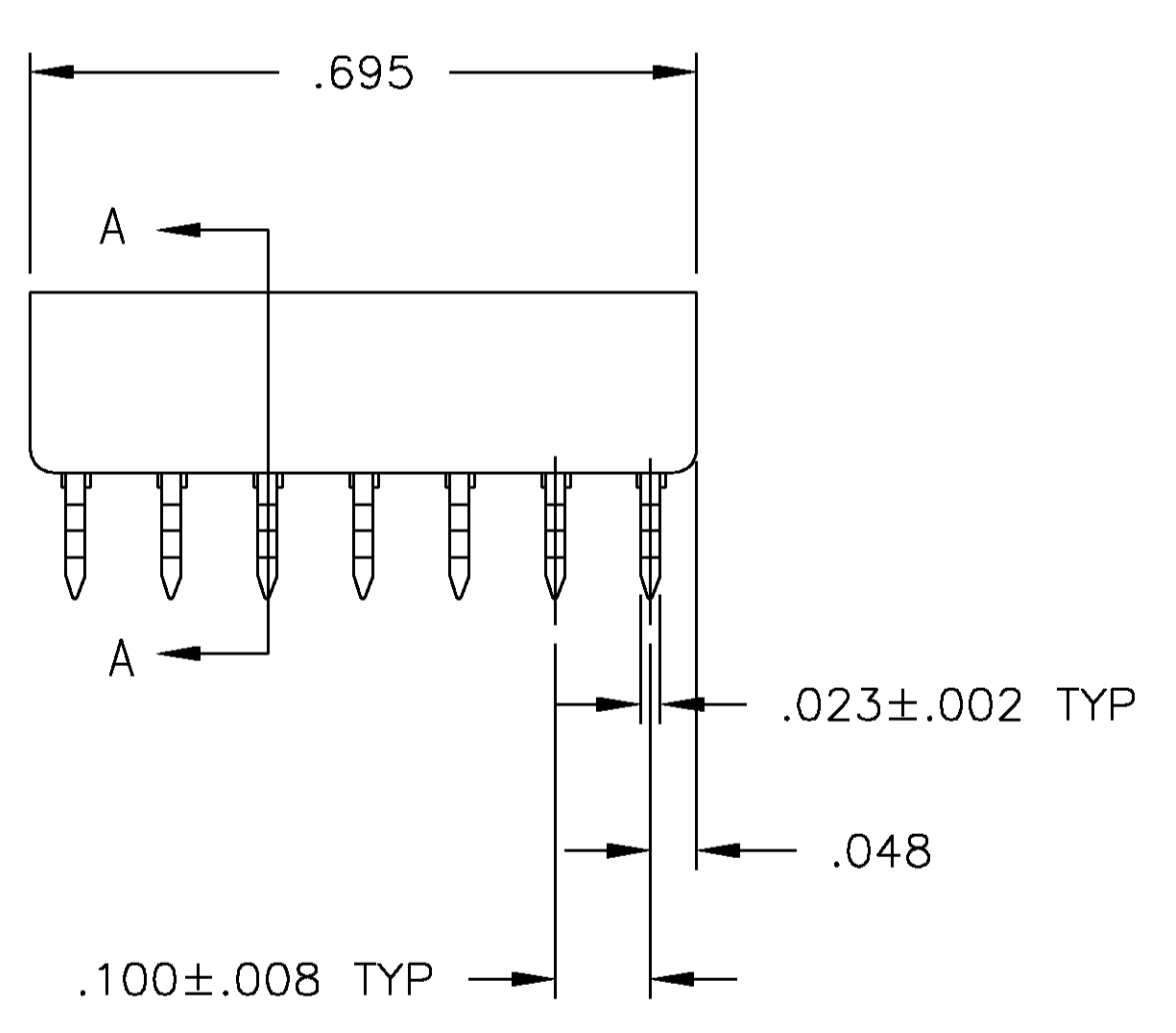
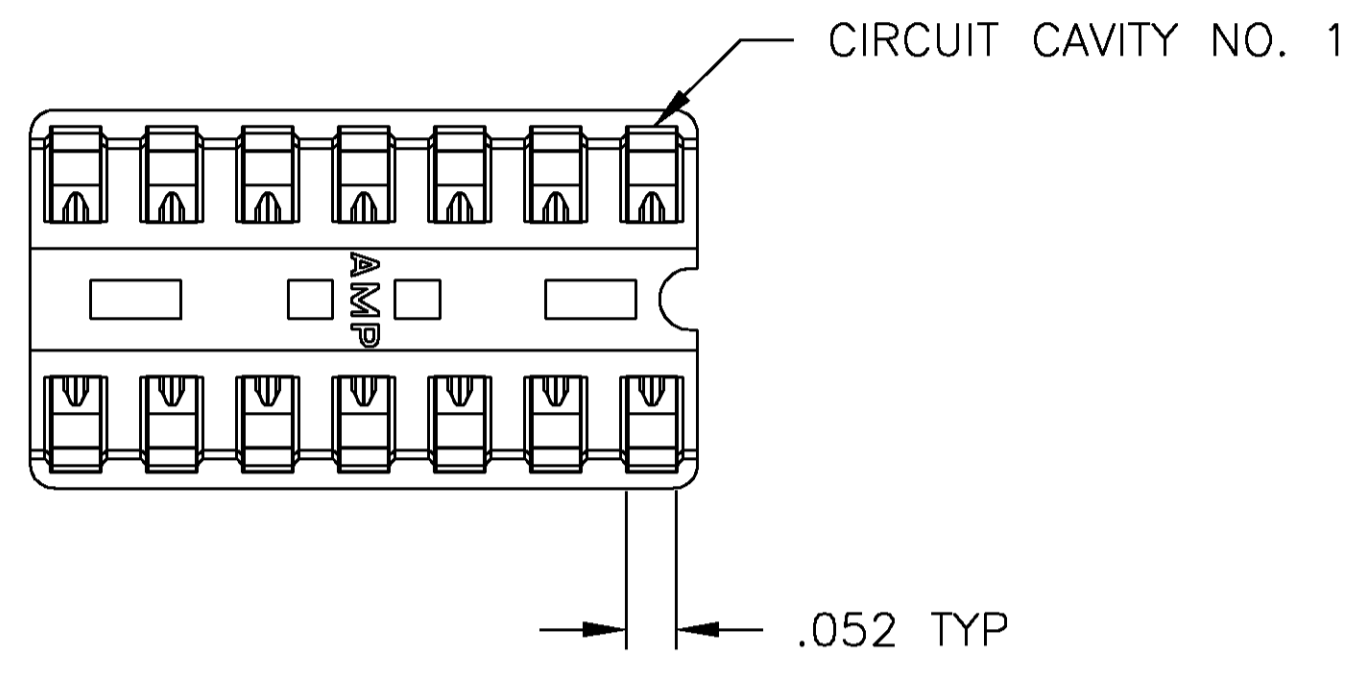


- RECEPTACLE ACCEPTS A .008-.014 THICK I.C. LEAD.
- TUBE LOADED.
- TWO .000030 MIN THK. GOLD STRIPES IN CONTACT AREA WITH TIN-LEAD (93/7) ON CONTACT LEGS, BALANCE OF CONTACT NICKEL PLATED.
- TWO .000015 MIN THK. GOLD STRIPES IN CONTACT AREA WITH TIN-LEAD (93/7) ON CONTACT LEGS, BALANCE OF CONTACT NICKEL PLATED.
- MAXIMUM DIMENSION FOR I.C. SEATING PLANE.



RECOMMENDED MOUNTING HOLE PATTERN
SCALE 4:1

OBSOLETE	△	PHOS.BRZ. .006 THK	GLASS-FILLED THERMOPLASTIC, 94V-O, BLACK	2-641261-4
OBSOLETE	TINNED	PHOS.BRZ. .006 THK	GLASS-FILLED THERMOPLASTIC, 94V-O, BLACK	2-641261-3
OBSOLETE	△	BE.CU. .006 THK	GLASS-FILLED THERMOPLASTIC, 94V-O, BLACK	2-641261-2
	TINNED	BE.CU. .006 THK	GLASS-FILLED THERMOPLASTIC, 94V-O, BLACK	2-641261-1
CONTACT FINISH		CONTACT MAT'L	HOUSING MATERIAL	PART NO.

THIS DRAWING IS A CONTROLLED DOCUMENT.

DIMENSIONS: INCHES	TOLERANCES UNLESS OTHERWISE SPECIFIED:	DWG: R BROWN 09JAN01	DATE: 24AUG00	REV: H WYNKOOP	DATE: 24AUG00	NAME: H WYNKOOP	PRODUCT SPEC: 108-1066	APPLICATION SPEC: 114-1049	SIZE: A1	CAGE CODE: 00779	DRAWING NO: 641261	RESTRICTED TO: -
MATERIAL: SEE TABLE	FINISH: SEE TABLE	CUSTOMER DRAWING		SCALE: 5:1	SHEET: 1 OF 1	REV: R						

AMP Tyco Electronics Corporation
Harrisburg, PA 17105

SOCKET ASSY, DIP, RET LEG, 14 POS, DIPLOMATE™ DL