

THIS DRAWING IS UNPUBLISHED. RELEASED FOR PUBLICATION
 © COPYRIGHT - By - ALL RIGHTS RESERVED.

LOC	DIST	REVISIONS					
ES	00	P	LTR	DESCRIPTION	DATE	DWN	APVD
NOTES:			F2	REVISED PER ECO-11-005033	28MAR11	RK	HMR

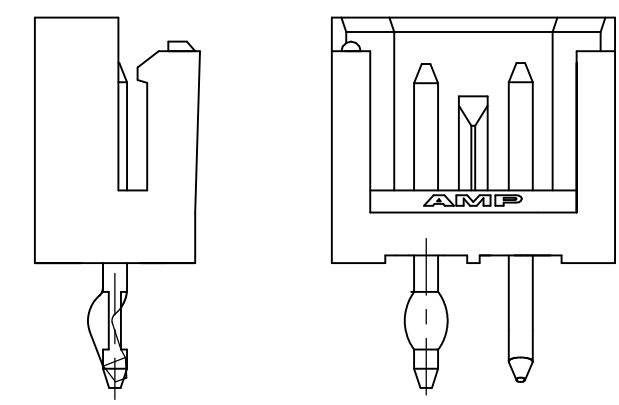
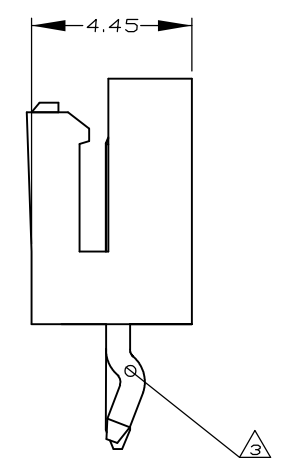
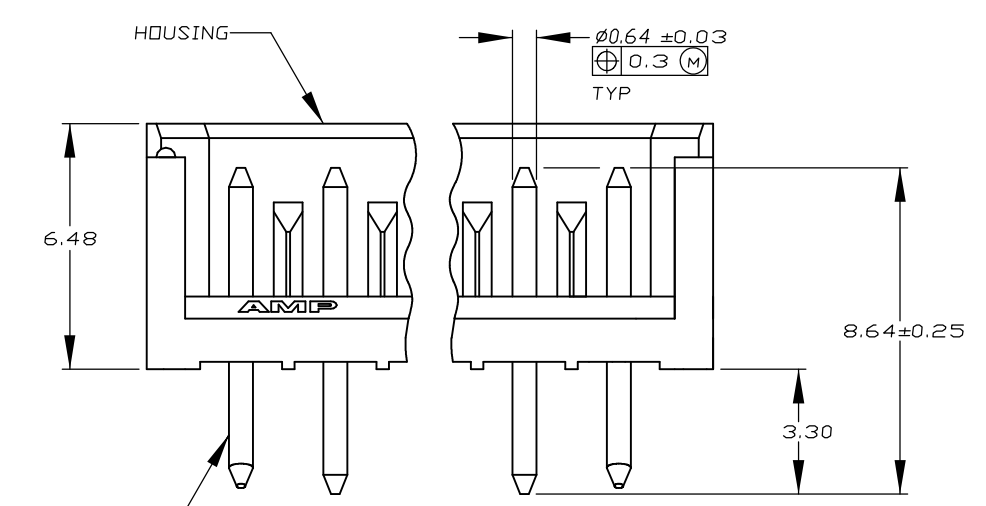
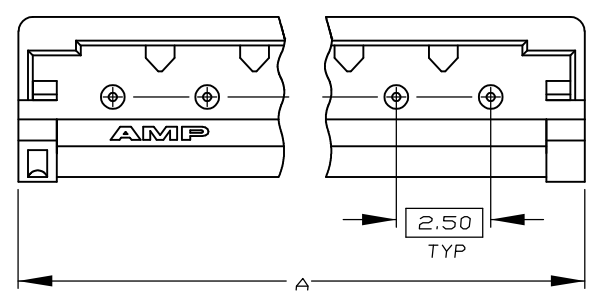
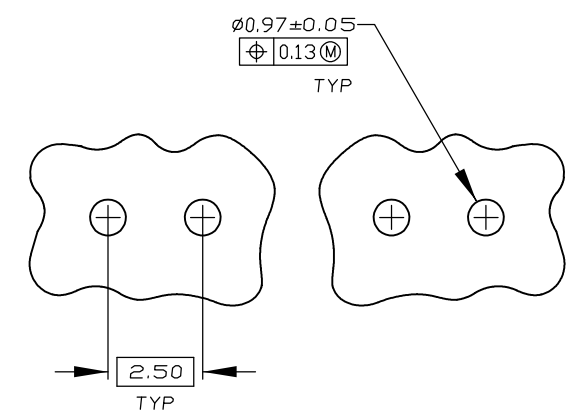


FIG. 1 $\triangle 4$

- $\triangle 1$ MATERIAL: HEADER: NYLON UL94V-0 (WHITE),
POST: BRASS, TIN OVER NICKEL OR GOLD OVER NICKEL
- 2. POST COMPLY WITH AMP SOLDERABILITY SPEC 109-11-2.
- $\triangle 3$ RETENTION DETAIL LOCATED ON END CIRCUITS ONLY
- $\triangle 4$ (2) CIRCUIT HEADER TO BE AS SHOWN IN FIGURE 1.

$\triangle 5$ OBSOLETE PARTS: OBSOLETE CIS STREAMLINING PER D.RENAUD/D.SINISI

$\triangle 5$ OBSOLETE	37.5	14	GOLD PLATED PIN	3-92008-4	TIN PLATED PIN	1-92008-4
	35	13		3-92008-3		1-92008-3
	32.5	12		3-92008-2		1-92008-2
	30	11		3-92008-1		1-92008-1
	27.5	10		3-92008-0		1-92008-0
	25	9		2-92008-9		92008-9
	22.5	8		2-92008-8		92008-8
	20	7		2-92008-7		92008-7
	17.5	6		2-92008-6		92008-6
	15	5		2-92008-5		92008-5
	12.5	4		2-92008-4		92008-4
	10	3		2-92008-3		92008-3
7.5	2	2-92008-2	92008-2			
	A	NO OF CIRCUITS		PART NO		PART NO



RECOMMENDED MOUNTING HOLE PATTERN FOR 1.57 THICK PRINTED CIRCUIT BOARD

THIS DRAWING IS A CONTROLLED DOCUMENT.		DWN SARIATI 08SEP2003	STE TE Connectivity				
DIMENSIONS: mm		CHK MAGGIE					
TOLERANCES UNLESS OTHERWISE SPECIFIED:		APVD P de JONG	NAME				
0 PLC ± -		PRODUCT SPEC 108-51007	HEADER ASSEMBLY, ROUND PIN METRIC INTERCONNECT SYSTEM				
1 PLC ± -		APPLICATION SPEC	SIZE	CAGE CODE	DRAWING NO	RESTRICTED TO	
2 PLC ± -			A3	00779	C-92008		
3 PLC ± -			CUSTOMER DRAWING		SCALE 1:1	SHEET 1 OF 1	REV F2
4 PLC ± -							
ANGLES ± -							
FINISH							
MATERIAL							