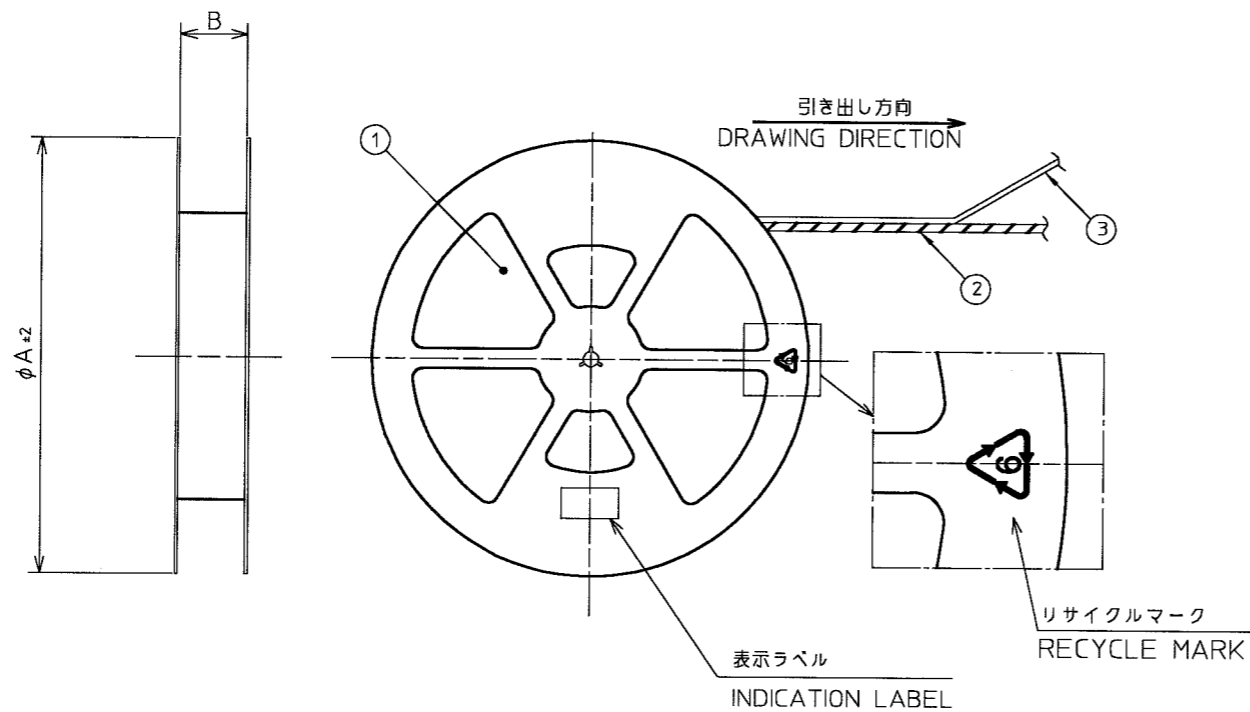


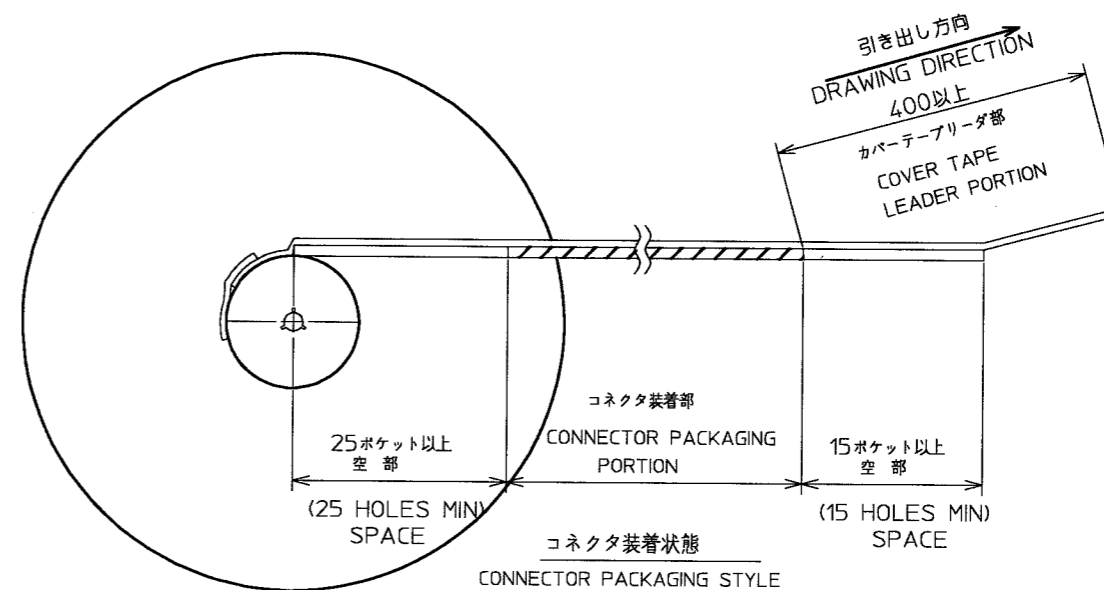
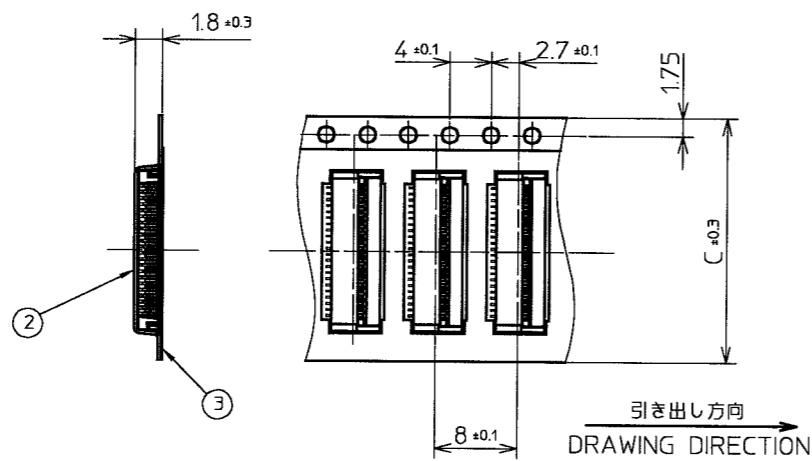
PRODUCT NO.  
10017251-\_\_2240ELF

REVISIONS				
REV	DESCRIPTION	ECN	BY	DATE
A	RELEASED	J03-0220	K.O	22/May/03
B	REVISED	J03-0300	K.O	11/JUL/03
C	REVISED	J03-0452	K.O	14/Nov/03
E	REVISED	J04-0041	M.Y	15/Jan/04
F	REVISED	J04-0336	M.Y	27/Sep/04
G	REVISED	J04-0473	M.Y	05/Jan/05
H	REVISED	J04-0447	M.Y	20/Jan/05
J	REVISED	J05-0345	M.Y	10/Jun/05
K	REVISED	J05-0783	M.Y	16/Nov/05



エンボステープ梱包型番 EMBOSS TAPE	寸法 DIMENSIONS		
	$\phi A$	B	C
10017251-152240ELF~452240ELF	$\phi 330$	$25.5 \pm 1$	24
10017251-112240ELF	$\phi 330$	$17.5 \pm 1$	16

PT.NO.	PARTS NAME	PRODUCT NO.	MATERIAL	Q'TY
1	REEL	_____	POLYSTYRENE	1
2	EMBOSS TAPE	_____	PET	1
3	COVER TAPE	_____	POLYESTER	_____
4	CONNECTOR	10017251-__224LF	10017251 SHEET2	4500



注記  
 1.本製品は、自動実装(SMT)対応、FPC用コネクタのプラスチックテープ梱包品である。  
 2.プラスチック(エンボス)テープ及びリールの形状寸法は、JIS C 0806 (電子部品のテーピング(表面実装部品))に準ずる。

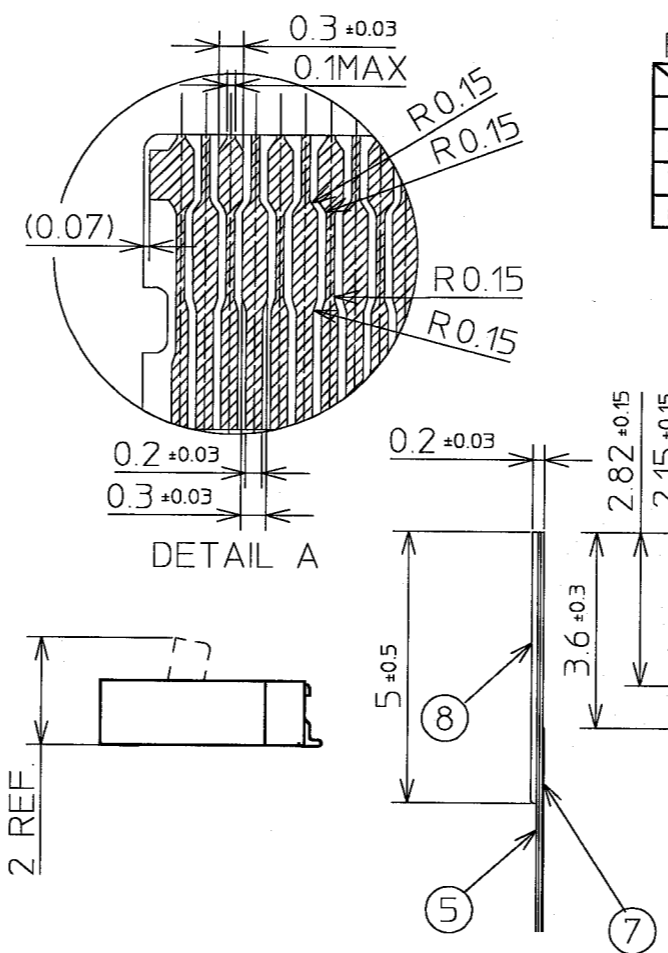
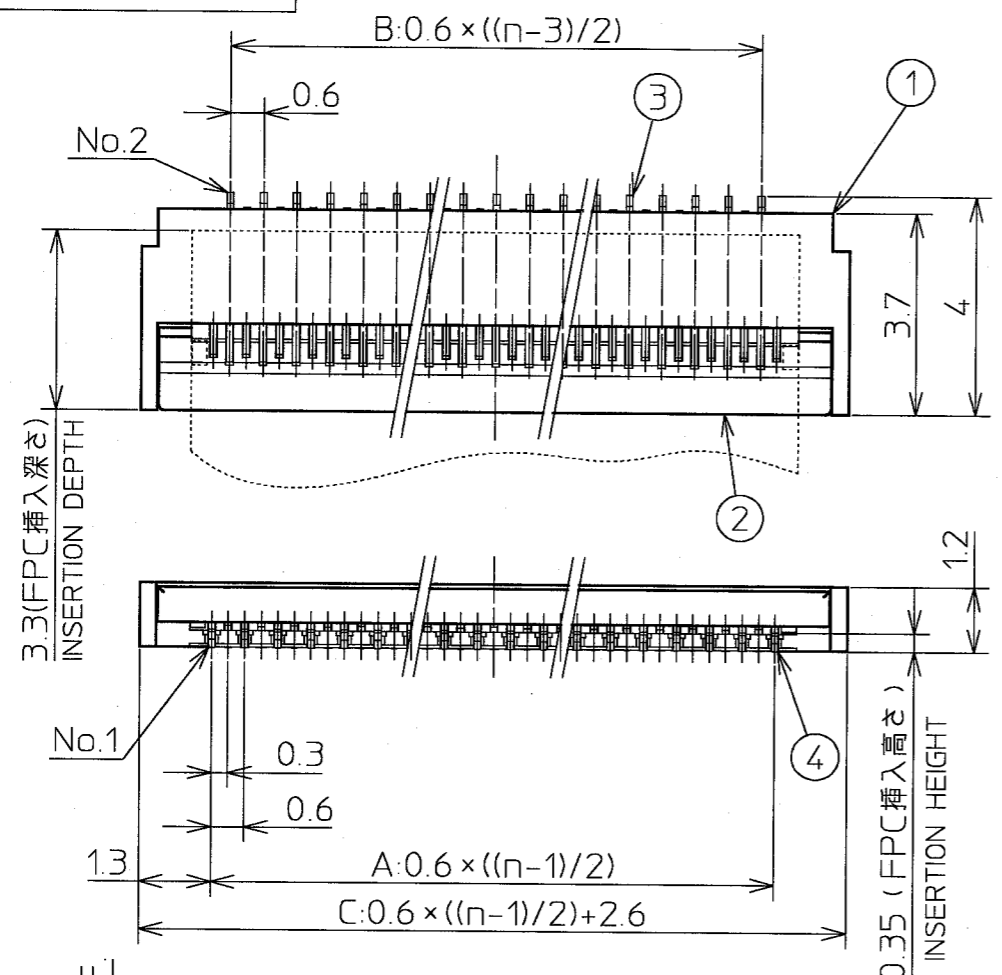
NOTES  
 1.THIS IS PLASTIC TAPE PACKAGED CONNECTOR USED FOR FPC AND COPES WITH AUTOMATIC MOUNTING (SMT)  
 2.SEE JIS 0806 (PACKING OF ELECTRONIC COMPONENTS ON CONTINUOUS TAPES (SURFACE MOUNTING DEVICES))

SHEET INDEX	ISSUE	K	F											FCI			
	SH NO.	1	2														
TOLERANCES UNLESS OTHERWISE SPECIFIED				MAT	DR	DATE	CUSTOMER COPY	TITLE									
				SEE NOTE	M.Yamashita	16/Nov/05		エンボステープ梱包品									
					ENGR	16/Nov/05		EMBOSS TAPE PACKAGE									
					M.Yamashita			PRODUCT FAMILY									
				FINISH	CHK	16/Nov/05		58FF FLEX 0.3									
				—#—	K. Okano			SCALE									
					APPD			SIZE									
					S. Okano	11/16/05		DWG. NO.									
								10017251									
								REV									
								K									
								SHEET									
								1 of									

DF-003A REV E  
 DO NOT SCALE PRINT THIS INFORMATION IS CONFIDENTIAL AND IS DISCLOSED TO YOU ON CONDITION THAN NO FURTHER DISCLOSURE IS MADE BY YOU TO OTHER THAN FCI PERSONNEL WITHOUT WRITTEN AUTHORIZATION FROM FCI JAPAN K.K.

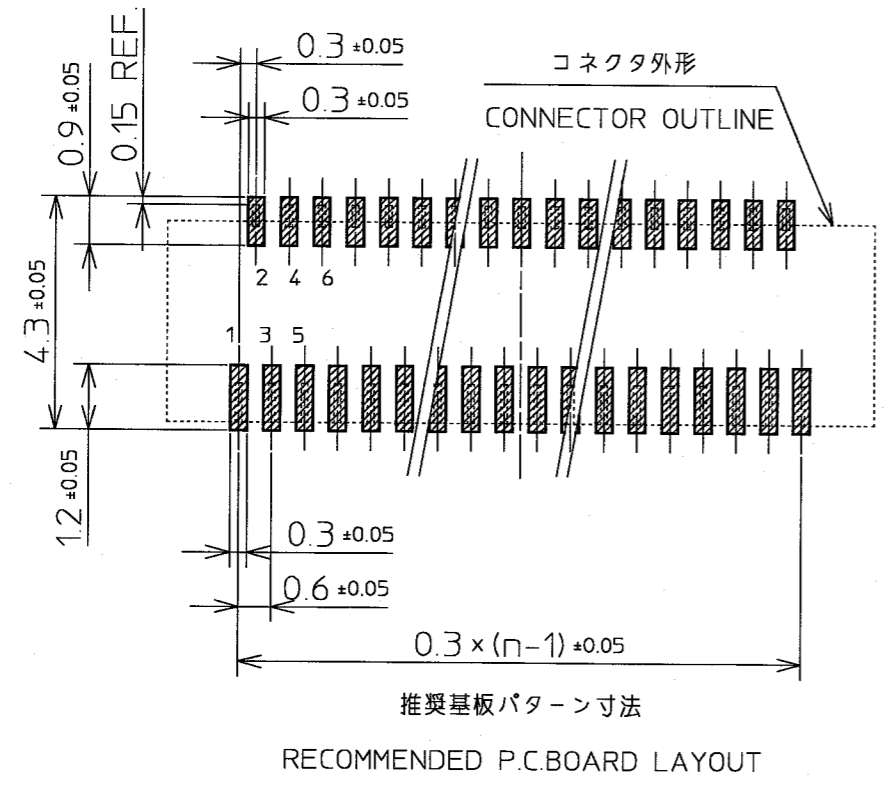
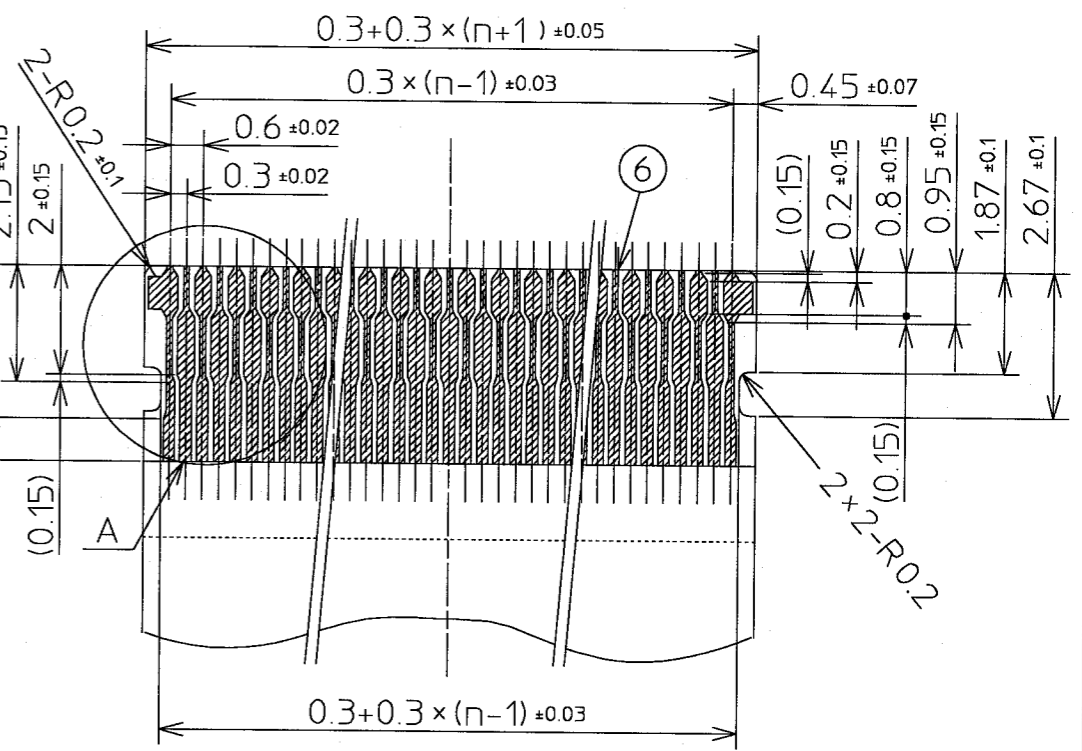
PRODUCT NO.  
10017251-\_\_224LF

REVISIONS				
REV	DESCRIPTION	ECN	BY	DATE
A	RELEASED	J03-0220	K.O	22/May/03
B	REVISED	J03-0300	K.O	11/Jul/03
C	REVISED	J03-0452	K.O	14/Nov/03
E	REVISED	J04-0041	M.Y	15/Jan/04
F	REVISED	J05-0345	M.Y	10/Jun/05



FPC

PARTS NAME	MATERIAL
5 BASE FILM	POLYAMIDE
6 CONDUCTOR	COPPER FOIL
7 OVERLAY	POLYAMIDE
8 STIFFENER	POLYAMIDE



CONNECTOR

PARTS NAME	MATERIAL	QTY	DESCRIPTION
1 HOUSING	THERMOPLASTIC	1	COLOR:WHITE
2 ACTUATOR	THERMOPLASTIC	1	COLOR:BLACK
3 CONTACT A	COPPER ALLOY	(n-1)/2	
4 CONTACT B	COPPER ALLOY	(n+1)/2	

n:NO.OF CONTACT

PRODUCT No.	NO. OF CONTACT	A	B	C
10017251-11224LF	11	3.0	2.4	5.6
10017251-15224LF	15	4.2	3.6	6.8
10017251-19224LF	19	5.4	4.8	8.0
10017251-23224LF	23	6.6	6.0	9.2
10017251-25224LF	25	7.2	6.6	9.8
10017251-27224LF	27	7.8	7.2	10.4
10017251-31224LF	31	9.0	8.4	11.6
10017251-39224LF	39	11.4	10.8	14.0
10017251-45224LF	45	13.2	12.6	15.8

NOTE.

- FPCの補強板接着には、熱硬化接着剤を使用し、接着方式は熱圧着とする。  
Adhesive method of supporting tape shall be heat crimping method and thermosetting adhesive material shall be used.
- 本製品は、GS-22-008に記載されたヨーロッパ連合指令と他国の規制に適合しています。  
This product meets European Union Directives and other country regulations as described in GS-22-008.
- メッキ仕様 Finish

	SURFACE TREATMENT
10017251-__224LF	GOLD OVER NICKEL PLATE

SHEET INDEX	ISSUE		MAT	DR	DATE	CUSTOMER COPY	TITLE
	SH NO.						
LINEAR	TOLERANCES UNLESS OTHERWISE SPECIFIED		SEE NOTE	M.YAMASHITA	10/Jun/05	M.YAMASHITA	0.3mm PITCH CONNECTOR (UPPER TYPE)
	± 0.3						
ANGLES	FINISH		—#—	CHK	10/Jun/05	THIRD ANGLE PROJ	PRODUCT FAMILY
	± 1°						

**A**  
**FCI**

TITLE 0.3mm PITCH CONNECTOR (UPPER TYPE)

PRODUCT FAMILY 58FF FLEX 0.3

SCALE B SIZE DWG. NO. 10017251 REV F SHEET 20F

DO NOT SCALE PRINT THIS INFORMATION IS CONFIDENTIAL AND IS DISCLOSED TO YOU ON CONDITION THAT NO FURTHER DISCLOSURE IS MADE BY YOU TO OTHER THAN FCI PERSONNEL WITHOUT WRITTEN AUTHORIZATION FROM FCI JAPAN K.K.