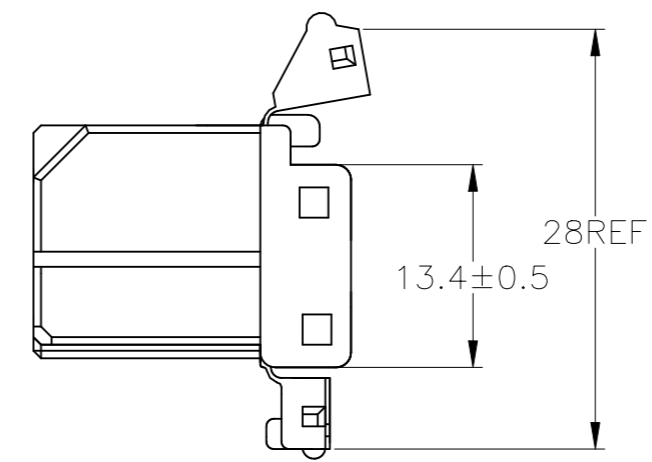
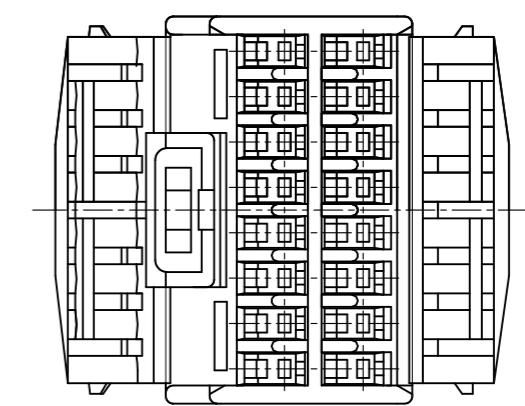
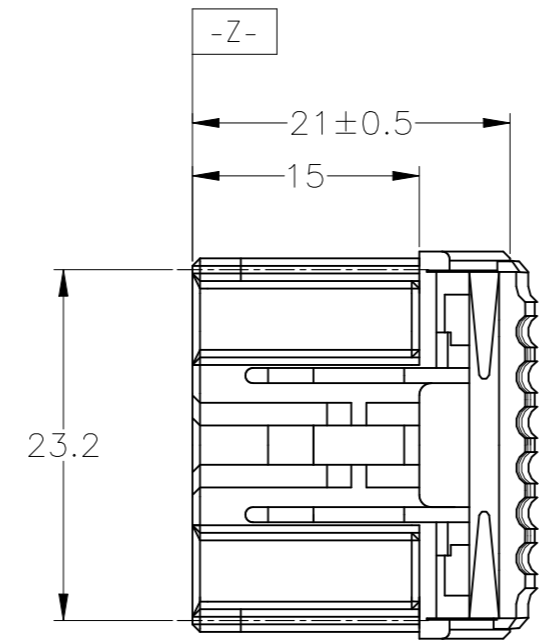
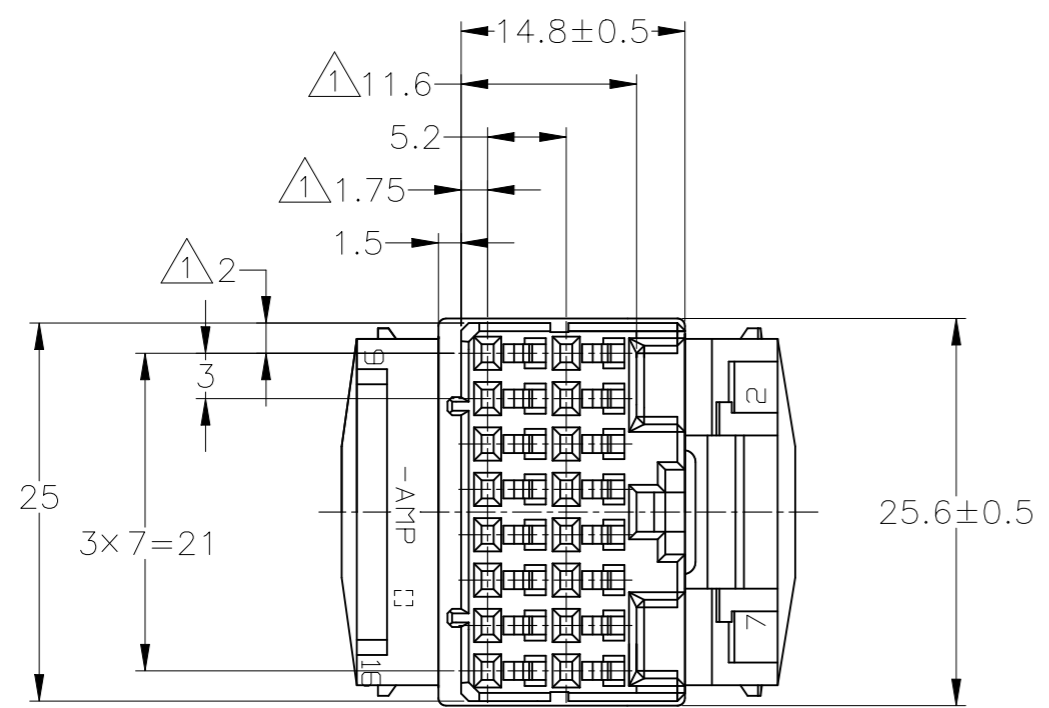


REVISIONS					
P	LTR	DESCRIPTION	DATE	DWN	APVD
B1		REDRAWN W/CHANGE	06SEP10	TS	KB
B2		REVISED PER ECR-22-154840	06DEC2022	RK	MT



- ① MUST BE KEPT BETWEEN [-Z-] AND 2mm
 - 2. THE MATING CAP HOUSING PART NUMBER ; 176242
 - 3. APPLIED CONTACT PART NUMBER ; 173716, 175094
 - 4. APPLICABLE PRODUCT SPEC NO. 108-5280
- ① [-Z-] 面より 2mm の範囲で測定。
 - 2. 嵌合相手ハウジング型番 ; 176242
 - 3. 内装するリセプタクルコンタクト型番 ; 173716, 175094
 - 4. 適用製品規格番号 ; 108-5280

	黄 YELLOW	176243-7
OBSOLETE	灰 GRAY	176243-6
OBSOLETE	青 BLUE	176243-5
	白 WHITE	176243-1
	色 COLOR	PART NUMBER

TOLERANCE UNLESS OTHERWISE SPECIFIED:	
一般公差	
0 < x ≤ 10	: ±0.2
10 < x ≤ 30	: ±0.25
30 < x ≤ 100	: ±0.3
ANGLE ; 角度	: ±3°

THIS DRAWING IS A CONTROLLED DOCUMENT.		DWN T.SHINOHARA 06SEP10															
DIMENSIONS: mm		CHK K.BETSUI 06SEP10															
TOLERANCES UNLESS OTHERWISE SPECIFIED:		APVD K.BETSUI 06SEP10															
<table border="1"> <tr><td>0 PLC</td><td>± -</td></tr> <tr><td>1 PLC</td><td>± -</td></tr> <tr><td>2 PLC</td><td>± -</td></tr> <tr><td>3 PLC</td><td>± -</td></tr> <tr><td>4 PLC</td><td>± -</td></tr> <tr><td>ANGLES</td><td>± -</td></tr> <tr><td>FINISH</td><td>-</td></tr> </table>		0 PLC	± -			1 PLC	± -	2 PLC	± -	3 PLC	± -	4 PLC	± -	ANGLES	± -	FINISH	-
0 PLC	± -																
1 PLC	± -																
2 PLC	± -																
3 PLC	± -																
4 PLC	± -																
ANGLES	± -																
FINISH	-																
MATERIAL PBT		PRODUCT SPEC SEE NOTE 4		HYBRID I/O CONNECTOR 16POSITION PLUG HOUSING													
		APPLICATION SPEC -		SIZE	RESTRICTED TO												
		WEIGHT -		CAGE CODE A300779	DRAWING NO C-176243												
		CUSTOMER DRAWING		SCALE 2:1	SHEET 1 OF 1												
				REV B2													