

DO NOT SCALE FROM THIS PRINT

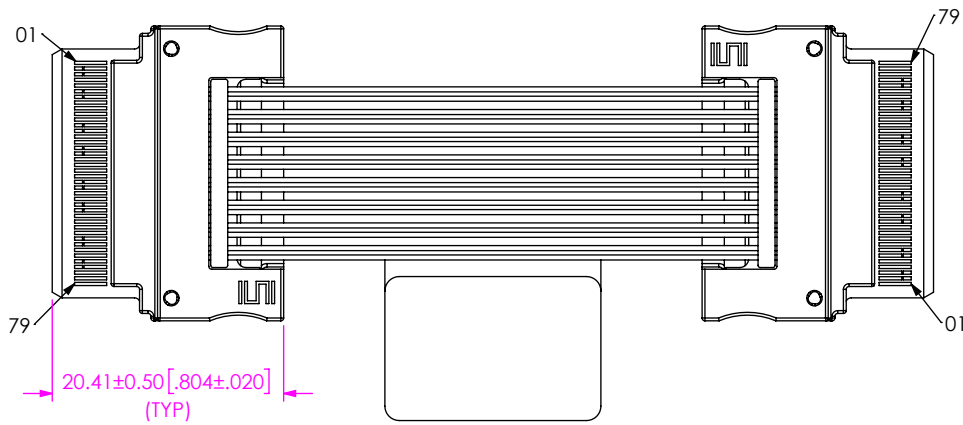
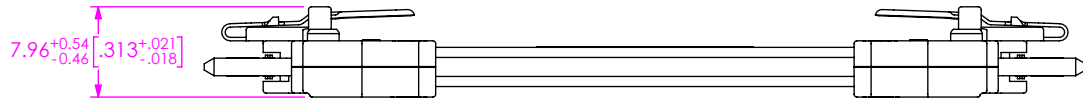
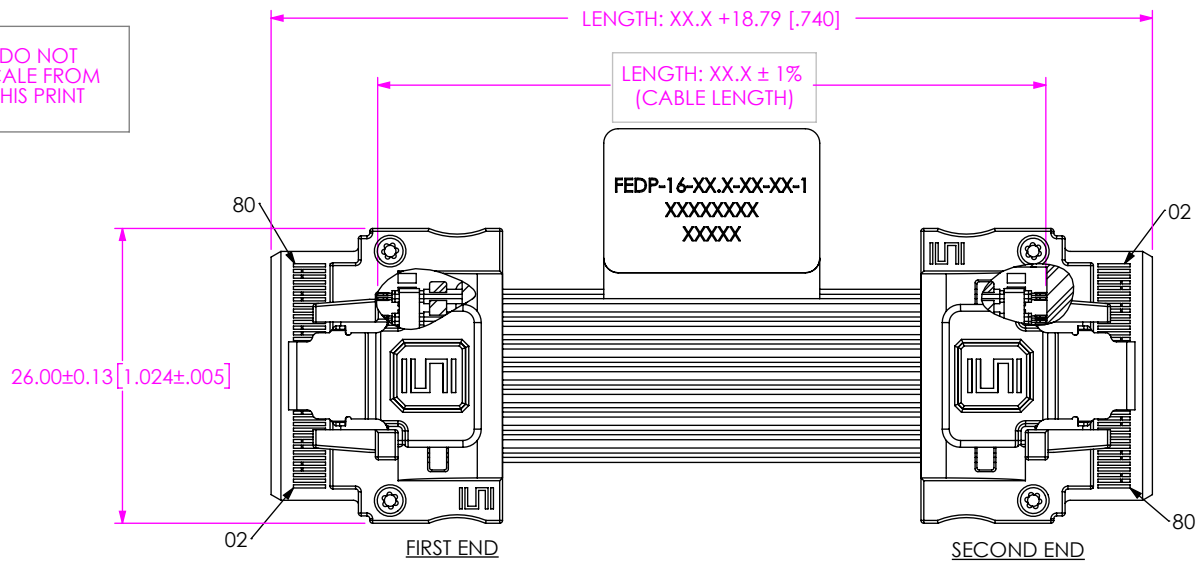


FIG 1  
FEDP-16-XX.X-LU-LU-1 SHOWN

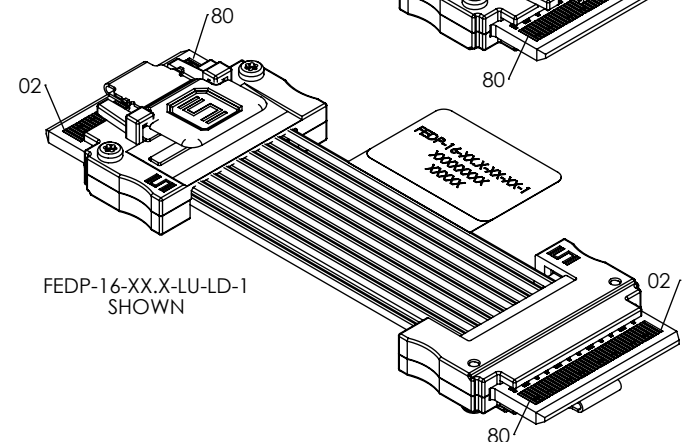
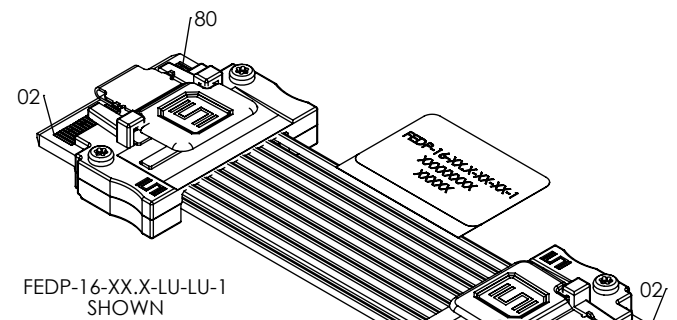
No OF PAIRS  
-16: 16 PAIRS (TOTAL)

LENGTH  
-XX.X (INCHES)  
(04.0 MINIMUM)

FIRST END  
-LU: LATCH UP

CABLE TYPE  
-1: 34100 TWINAX

SECOND END  
-LU: LATCH UP  
-LD: LATCH DOWN



**Pb** THIS PRODUCT MANUFACTURED WITH LEAD-FREE PROCESSING

- NOTES:
1. ALL ASSEMBLIES TO BE 100% ELECTRICALLY TESTED FOR SHORTS AND OPENS.
  2. ALL ASSEMBLIES TO BE 100% HI-POT TESTED AT 300V.

<p><b>PROPRIETARY NOTE</b></p> <p>THIS DOCUMENT CONTAINS CONFIDENTIAL AND PROPRIETARY INFORMATION AND ALL DESIGN, MANUFACTURING, REPRODUCTION, USE, PATENT RIGHTS AND SALES RIGHTS ARE EXPRESSLY RESERVED BY SAMTEC, INC. THIS DOCUMENT SHALL NOT BE DISCLOSED, IN WHOLE OR PART, TO ANY UNAUTHORIZED PERSON OR ENTITY NOR REPRODUCED, TRANSFERRED OR INCORPORATED IN ANY OTHER PROJECT IN ANY MANNER WITHOUT THE EXPRESS WRITTEN CONSENT OF SAMTEC, INC.</p>		<p><b>DESCRIPTION:</b></p> <p>FEDP CABLE ASSEMBLY</p>	
<p>DO NOT SCALE DRAWING SHEET SCALE: 2:1</p>		<p>DWG. NO. FEDP-16-XX.X-XX-XX-1</p>	
<p>F:\DWG\MISC\MKTG\FEDP-16-XX.X-XX-XX-1-MKT.SLDDRW</p>		<p>BY: JOE Z      08/11/2017      SHEET 1 OF 2</p>	



520 PARK EAST BLVD. NEW ALBANY, IN 47150  
PHONE: 812-944-6733    FAX: 812-948-5047  
e-Mail: info@SAMTEC.com    code 55322

TABLE 1					
SIGNAL MAPPING					
END 1	TYPE	END 2	END 1	TYPE	END 2
1	GND	79	2	GND	80
3	DP	73	4	GND	74
5		71	6	GND	72
7	GND	77	8	DP	78
9	GND	75	10		76
11	DP	65	12	GND	66
13		63	14	GND	64
15	GND	69	16	DP	70
17	GND	67	18		68
19	GND	61	20	GND	62
21	GND	59	22	GND	60
23	DP	53	24	GND	54
25		51	26	GND	52
27	GND	57	28	DP	58
29	GND	55	30		56
31	DP	45	32	GND	46
33		43	34	GND	44
35	GND	49	36	DP	50
37	GND	47	38		48
39	GND	41	40	GND	42
41	GND	39	42	GND	40
43	DP	33	44	GND	34
45		31	46	GND	32
47	GND	37	48	DP	38
49	GND	35	50		36
51	DP	25	52	GND	26
53		23	54	GND	24
55	GND	29	56	DP	30
57	GND	27	58		28
59	GND	21	60	GND	22
61	GND	19	62	GND	20
63	DP	13	64	GND	14
65		11	66	GND	12
67	GND	17	68	DP	18
69	GND	15	70		16
71	DP	5	72	GND	6
73		3	74	GND	4
75	GND	9	76	DP	10
77	GND	7	78		8
79	GND	1	80	GND	2

ALL GROUNDS COMMON AND TIED TO CABLE SHIELD

TABLE 2		
NET COUNT		
TYPE	NETS	POINTS
POINT TO POINT	32	64
GND	1	96

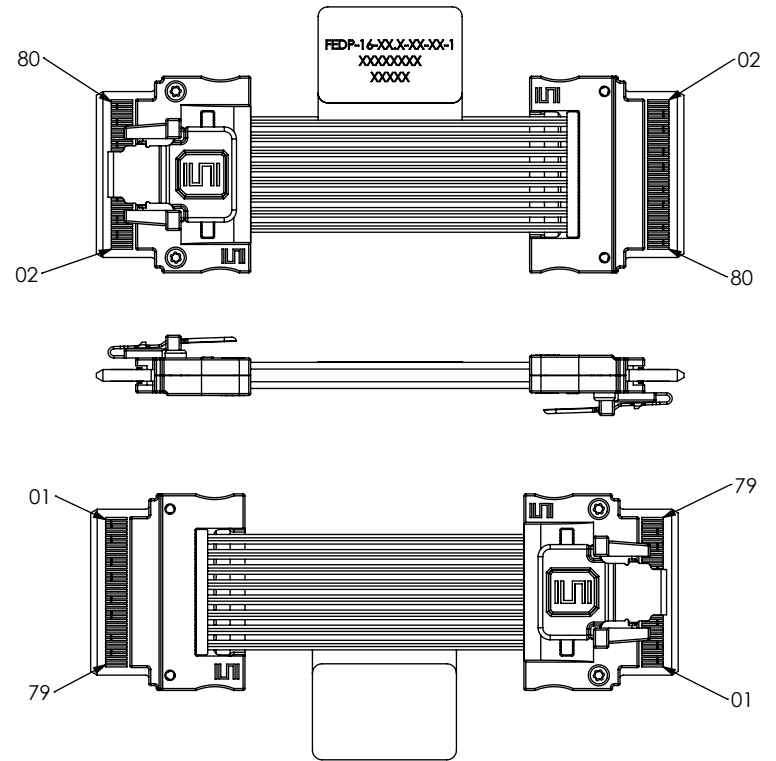


FIG 2  
FEDP-16-XX.X-LU-LD-1 SHOWN  
(DIFFERENT AS SHOWN, OTHERWISE SAME AS FIG 1)

**PROPRIETARY NOTE**  
THIS DOCUMENT CONTAINS CONFIDENTIAL AND PROPRIETARY INFORMATION AND ALL DESIGN, MANUFACTURING, REPRODUCTION, USE, PATENT RIGHTS AND SALES RIGHTS ARE EXPRESSLY RESERVED BY SAMTEC, INC. THIS DOCUMENT SHALL NOT BE DISCLOSED, IN WHOLE OR PART, TO ANY UNAUTHORIZED PERSON OR ENTITY NOR REPRODUCED, TRANSFERRED OR INCORPORATED IN ANY OTHER PROJECT IN ANY MANNER WITHOUT THE EXPRESS WRITTEN CONSENT OF SAMTEC, INC.



520 PARK EAST BLVD, NEW ALBANY, IN 47150  
PHONE: 812-944-6733 FAX: 812-948-5047  
e-Mail: info@SAMTEC.com code 55322

DO NOT SCALE DRAWING

SHEET SCALE: 1:1

DESCRIPTION: FEDP CABLE ASSEMBLY

DWG. NO. FEDP-16-XX.X-XX-XX-1

BY: JOE Z 08/11/2017 SHEET 2 OF 2