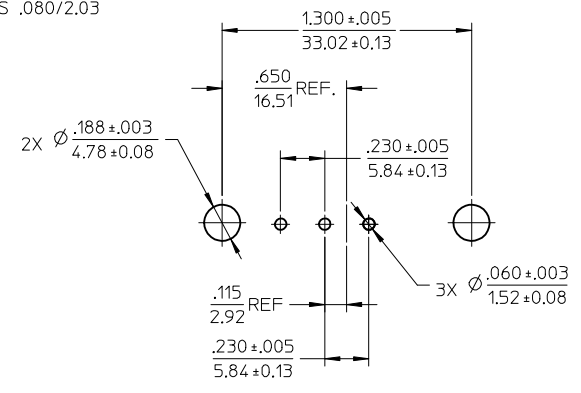
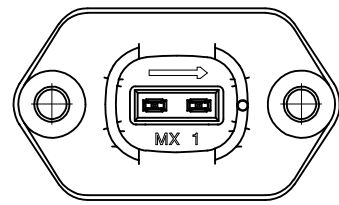
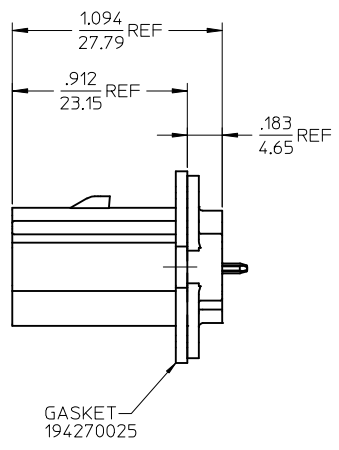
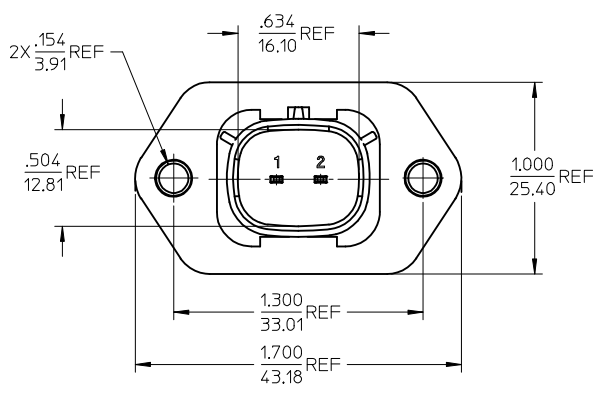


RECOMMENDED PANEL CUTOUT - MAX PANEL THICKNESS .080/2.03



RECOMMENDED PCB LAYOUT COMPONENT SIDE  
TOLERANCES ARE NON-ACCUMULATIVE



MATERIAL NUMBER	TERMINAL PLATING
194280009	TIN
194280025	SELECT GOLD/TIN

- NOTES:
- MATERIALS:  
HOUSING: POLYESTER (PBT), GLASS FILLED, UL94 V-0,  
COLOR: BLACK  
TERMINALS: COPPER ALLOY
  - FINISHES: 1. TIN ONLY: 100µM TIN OVER 50µM NICKEL  
2. TIN/GOLD: 30µM SELECT GOLD (CONTACT MATING AREA),  
100µM SELECT TIN (PCB TAIL AREA) OVER 50µM NICKEL OVERALL.
  - PRODUCT SPECIFICATION: PS-19428-001.
  - PACKAGING SPECIFICATION: PK-19428-002.
  - MATES WITH: 19418 SERIES RECEPTACLE ASSEMBLIES.

<b>PRODUCTION RELEASE</b> EC NO: ETC2005-0213 DRWN: JPAWLCK 2005/06/10 CHKD: JPAWLCK 2005/06/14 APPR: RDEROSS 2005/06/14	QUALITY SYMBOLS ▽=0 ▽=0	GENERAL TOLERANCES (UNLESS SPECIFIED)		DIMENSION STYLE <b>IN/MM</b>		SCALE <b>2:1</b>	DESIGN UNITS <b>INCH</b>	THIRD ANGLE PROJECTION	
		4 PLACES ± --- ± ---	mm INCH	DRAWN BY BRUPERT	DATE 04/06/23	TITLE <b>2-WAY STRAIGHT HEADER ASSEMBLY, SHORT VERSION</b>			
		3 PLACES ± --- ± .015	± .38 ± ---	CHECKED BY JPAWLCK	DATE 04/06/23	MATERIAL NO. <b>SEE CHART</b>			
		2 PLACES ± 0.38 ± ---	± --- ± ---	APPROVED BY RDEROSS	DATE 04/06/23	DOCUMENT NO. <b>SD-19428-001</b>			
1 PLACE ± --- ± ---	ANGULAR ± 1 °	DRAFT WHERE APPLICABLE MUST REMAIN WITHIN DIMENSIONS		SIZE <b>C</b>	THIS DRAWING CONTAINS INFORMATION THAT IS PROPRIETARY TO MOLEX INCORPORATED AND SHOULD NOT BE USED WITHOUT WRITTEN PERMISSION				