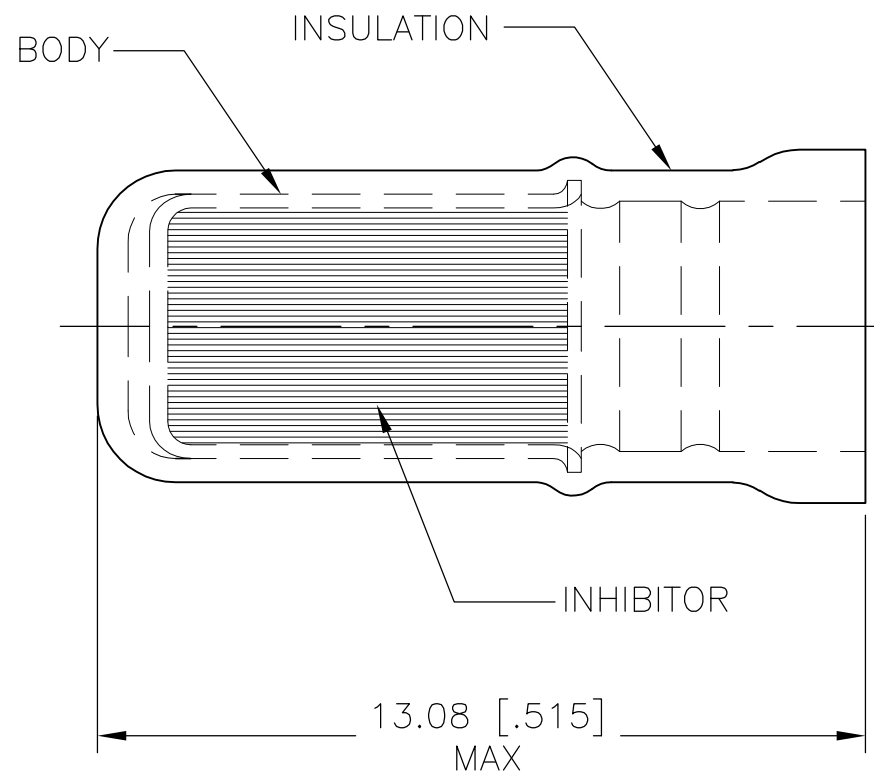



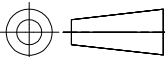
THIS DRAWING IS UNPUBLISHED. RELEASED FOR PUBLICATION  
 © COPYRIGHT - By - ALL RIGHTS RESERVED.

REVISIONS					
P	LTR	DESCRIPTION	DATE	DWN	APVD
	L	REVISED PER ECO-15-015757	03NOV2016	RS	DR



- 1 USE FOR AN UNSTRIPPED (SINGLE) WIRE END ONLY.
- 2 WIRE INSUL DIA 3.05-3.68 [.120-.145].

-	-	-
-	-	-
1000	LOOSE PIECE	324695
QTY	PACKAGE TYPE	PART NO

AMP INCORPORATED CUSTOMER SERVICE SYSTEM		MAX RECOMMENDED OPERATING TEMPERATURE: 105° C [221° F]	THIS DRAWING IS A CONTROLLED DOCUMENT.		DWN L OLMEDA 14FEB95	 TE Connectivity					
FOR ADDITIONAL PRODUCT INFORMATION OR COPIES OF DRAWINGS AND TECHNICAL DOCUMENTS	PRODUCT INFORMATION CENTER 1-800-522-6752		DIMENSIONS: mm [INCHES]	TOLERANCES UNLESS OTHERWISE SPECIFIED:	CHK M ELLIS 14FEB95						
FOR APPLICATION TOOLING INFORMATION	TOOLING ASSISTANCE CENTER 1-800-722-1111	VOLTAGE RATING: -		APVD T MICHELUTTI 14FEB95	NAME SPARE WIRE CAP, , BLUE MOISTURE RESISTANT						
FOR ORDER ENTRY	1-800-526-5142	CIRCULAR MIL AREA: -		MATERIAL BODY, CU PER ASTM B152 INSUL, NYLON, COLOR, BLUE	FINISH BODY, TIN PLATE PER ASTM B545	PRODUCT SPEC -	APPLICATION SPEC -	WEIGHT	SIZE A3	CAGE CODE 00779	DRAWING NO C-324695
CUSTOMER DRAWING					SCALE 8:1	SHEET 1 OF 1	REV L				