

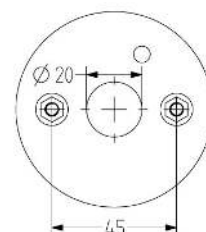
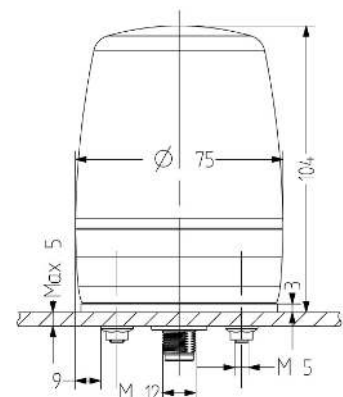
# PDMC5 LED Multifunction Beacon with integrated M12 5-pin connector

- Ø 75 mm LED multifunction beacon (steady, flashing, strobing, rotating)
- Integrated M12 5-pin connector – instant plug & play
- All light patterns externally switchable
- Very high degree of protection IP 67 & IP 69
- High signalling efficiency
- Modern LED technology and electronics
- Premounted stainless-steel fixing screws
- For industrial and general applications



## TECHNICAL DATA

Housing	Ø 75 mm, 100 mm high lens, Polycarbonate black (RAL 9005)
Lens	Polycarbonate, ribbed inside amber, red, clear, blue, green or yellow
Mounting direction	any
Cable entry	M12 5-pin connector
Leackage current	0,003 A (SPS-suitable)
Beacon type	LED multifunction beacon
Light source	16 LEDs
Light functions	Steady-, flashing-, strobe-, rotating-light
Duty cycle	100 %
Service life	Light source: >50.000 h
Operating temperature	-30°C/+60°C
Degree of protection	IP67 / IP69
Impact resistance	IK08
Weight	125,5 g



# PDMC5

## ORDER DATA

Lens colour	Nominal voltage	Voltage range (V)	Nominal current (A)	Order number
amber	24 V AC/DC	18-28 V AC	max. 250mA	860541405
		20-35 V DC		
red	24 V AC/DC	18-28 V AC	max. 310mA	860542405
		20-35 V DC		
clear	24 V AC/DC	18-28 V AC	max. 250mA	860544405
		20-35 V DC		
blue	24 V AC/DC	18-28 V AC	max. 250mA	860545405
		20-35 V DC		
green	24 V AC/DC	18-28 V AC	max. 250mA	860546405
		20-35 V DC		
yellow	24 V AC/DC	18-28 V AC	max. 250mA	860547405
		20-35 V DC		

