

TL3360 SERIES TACT SWITCH

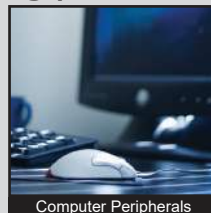
ANTI-VANDAL SWITCHES
 DETECTOR SWITCHES
 DIP SWITCHES
 KEYLOCK SWITCHES
 NAVIGATION SWITCHES
 PUSHBUTTON SWITCHES
 ROCKER SWITCHES
 ROTARY SWITCHES
 SLIDE SWITCHES
 SNAP ACTION SWITCHES
TACTILE SWITCHES
 TOGGLE SWITCHES
 CAP OPTIONS



APPLICATIONS / MARKETS



Audio / Visual



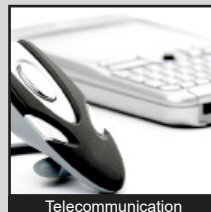
Computer Peripherals



Consumer Electronics



Instrumentation



Telecommunication



Medical Equipment

RoHS

SPECIFICATIONS

Electrical Rating: 50mA @ 12VDC
Electrical Life: 200,000 Cycles
Contact Resistance: 100mΩ Max.
Insulation Resistance: 100M Ω Min. at 500VDC
Dielectric Strength: 250VAC for 1 min.
Operating Temperature: -25°C to 70°C
Storage Temperature: -30°C to 80°C
Operating Force: 185 gf, 260 gf
Travel: 0.15mm
Contact Arrangement: SPST
Contact Material: Silver or Gold

FEATURES & BENEFITS

- Multiple actuator height options
- Right angle Surface mount
- Multiple operating force options
- Solder pad option
- Auto placement tab option

PART NUMBER CONFIGURATOR

Series	Actuator Option	Actuation Force	Solder Pad	Auto Placement Tab	Contact Material
<input type="text" value="TL"/> <input type="text" value="3"/> <input type="text" value="3"/> <input type="text" value="6"/> <input type="text" value="0"/>	<input type="text" value="A"/>	<input type="text" value="F"/> <input type="text" value="1"/> <input type="text" value="8"/> <input type="text" value="5"/>	<input type="text" value="N"/>	<input type="text" value="N"/>	<input type="text" value="Q"/>
TL3360	A - 2.30mm B - 2.80mm C - 4.0mm D - 4.35mm	F185 - 185 gf F260 - 260 gf	NONE - With Solder Pad K - Without Solder Pad	NONE - Without Tab K - With Tab	Q - Silver R - Gold

Specifications subject to change without notice 12.5.2022



E-SWITCH®

www.e-switch.com

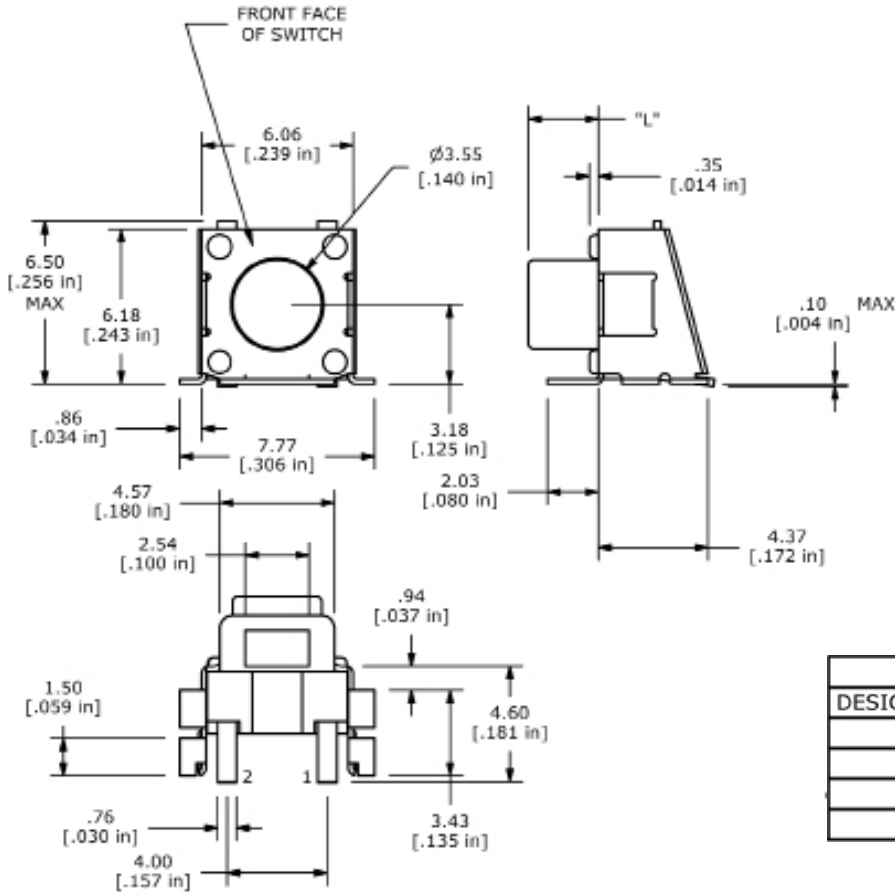
800.867.2717

1

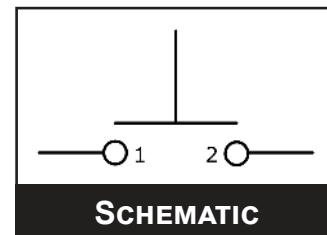
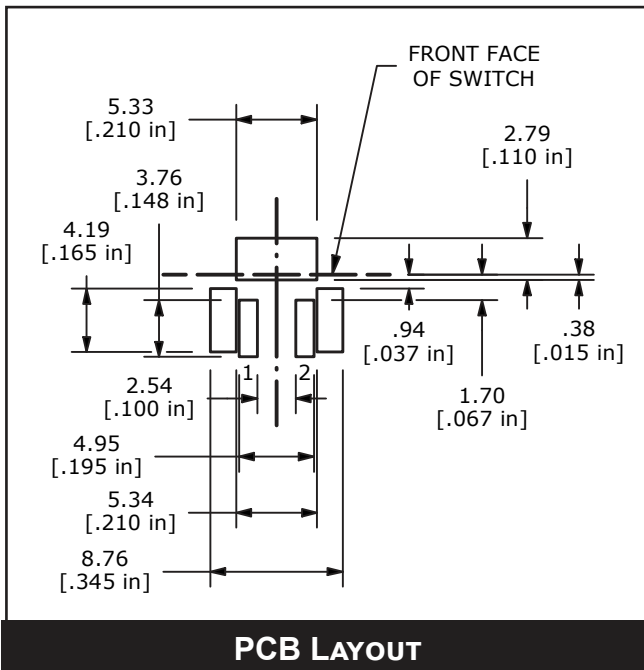
TL3360 SERIES TACT SWITCH

BODY DIMENSIONS

WITH SOLDER PAD, WITHOUT AUTO PLACEMENT TAB



ACTUATOR CHART	
DESIGNATION	"L" DIM
A	2.30
B	2.80
C	4.00
D	4.35

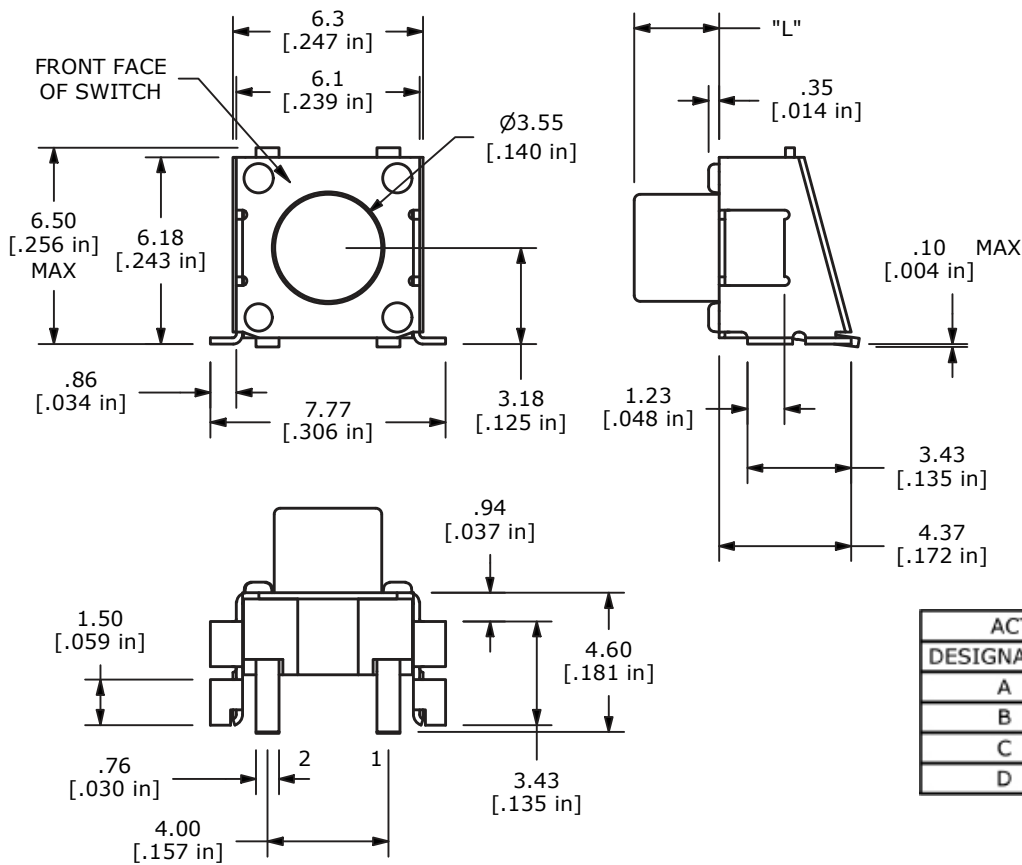


ANTI-VANDAL SWITCHES
 DETECTOR SWITCHES
 DIP SWITCHES
 KEYLOCK SWITCHES
 NAVIGATION SWITCHES
 PUSHBUTTON SWITCHES
 ROCKER SWITCHES
 ROTARY SWITCHES
 SLIDE SWITCHES
 SNAP ACTION SWITCHES
 TACTILE SWITCHES
 TOGGLE SWITCHES
 CAP OPTIONS

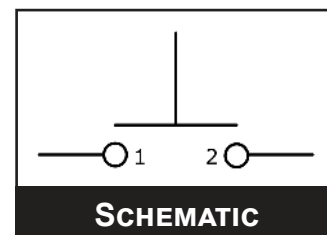
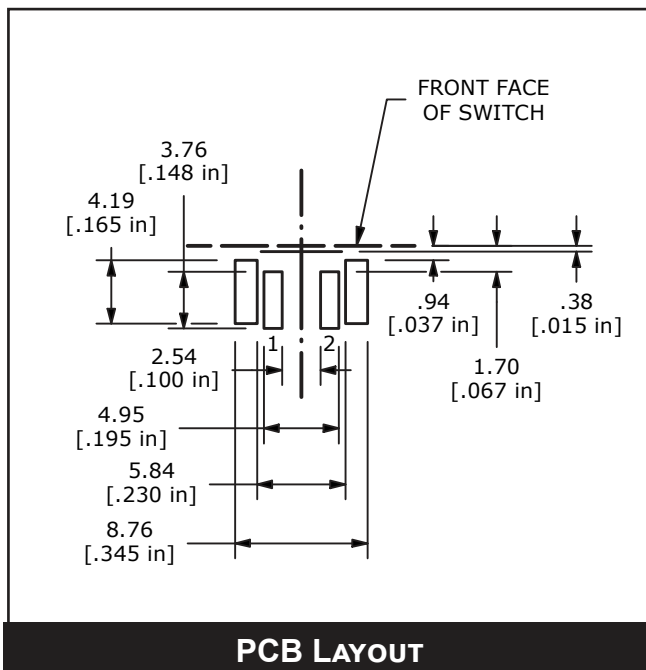
TL3360 SERIES TACT SWITCH

BODY DIMENSIONS

WITHOUT SOLDER PAD, WITHOUT AUTO PLACEMENT TAB



ACTUATOR CHART	
DESIGNATION	"L" DIM
A	2.30
B	2.80
C	4.00
D	4.35

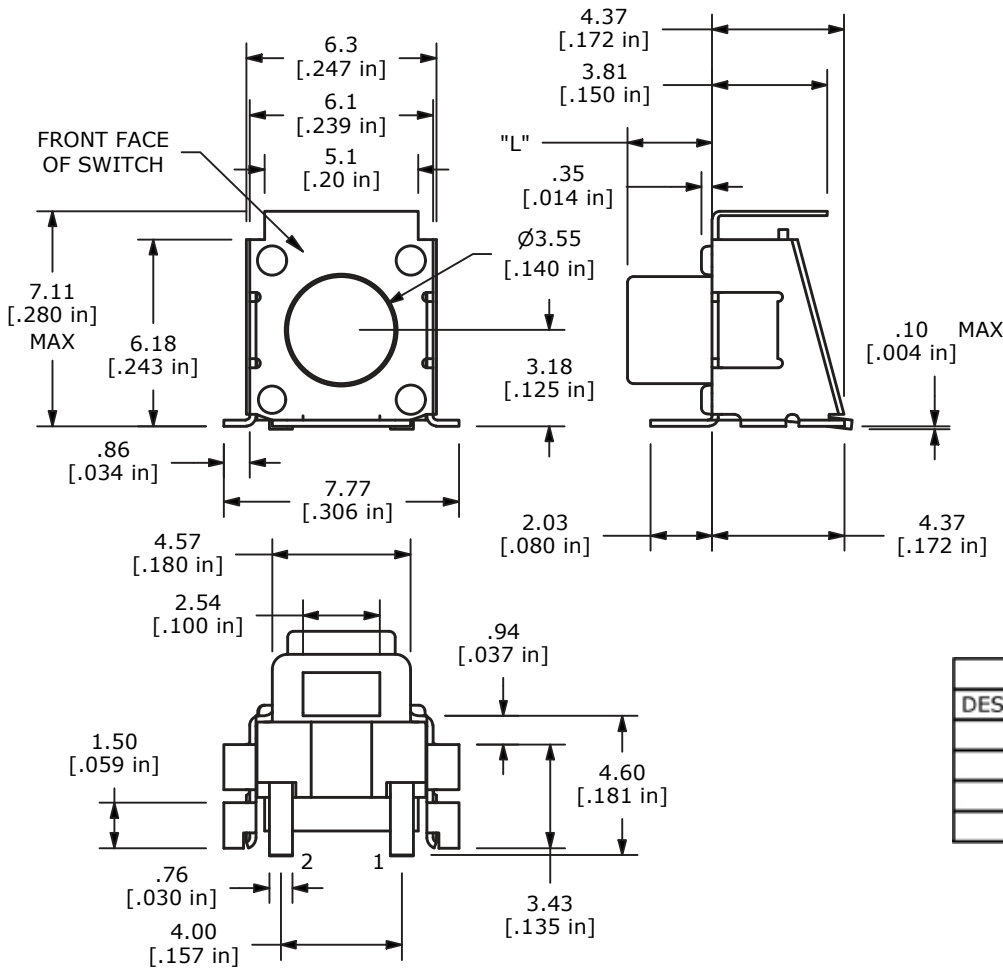


ANTI-VANDAL SWITCHES
 DETECTOR SWITCHES
 DIP SWITCHES
 KEYLOCK SWITCHES
 NAVIGATION SWITCHES
 PUSHBUTTON SWITCHES
 ROCKER SWITCHES
 ROTARY SWITCHES
 SLIDE SWITCHES
 SNAP ACTION SWITCHES
 TACTILE SWITCHES
 TOGGLE SWITCHES
 CAP OPTIONS

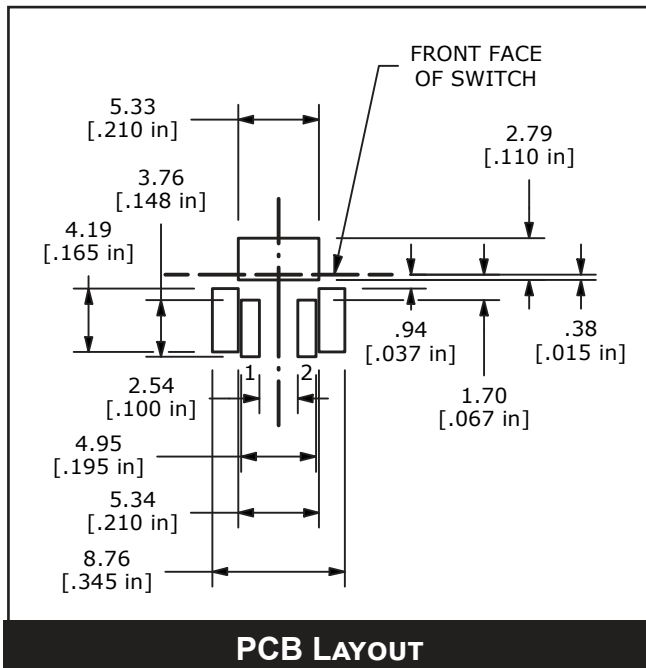
TL3360 SERIES TACT SWITCH

BODY DIMENSIONS

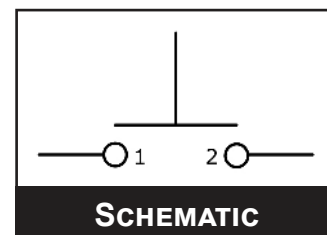
WITH SOLDER PAD, WITH AUTO PLACEMENT TAB



ACTUATOR CHART	
DESIGNATION	"L" DIM
A	2.30
B	2.80
C	4.00
D	4.35



PCB LAYOUT



SCHEMATIC

