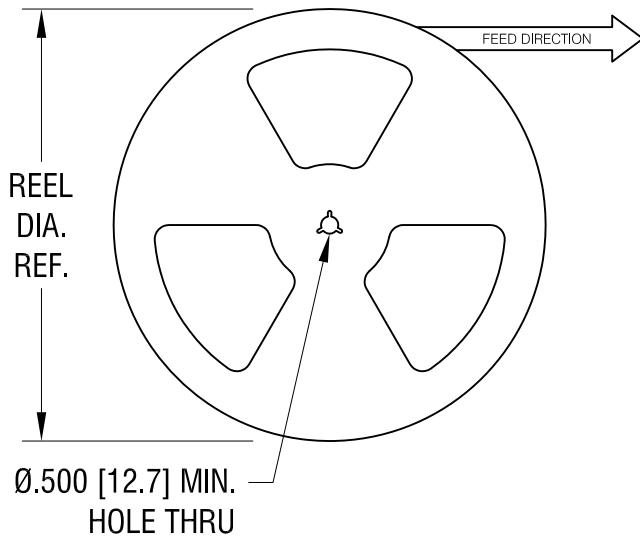
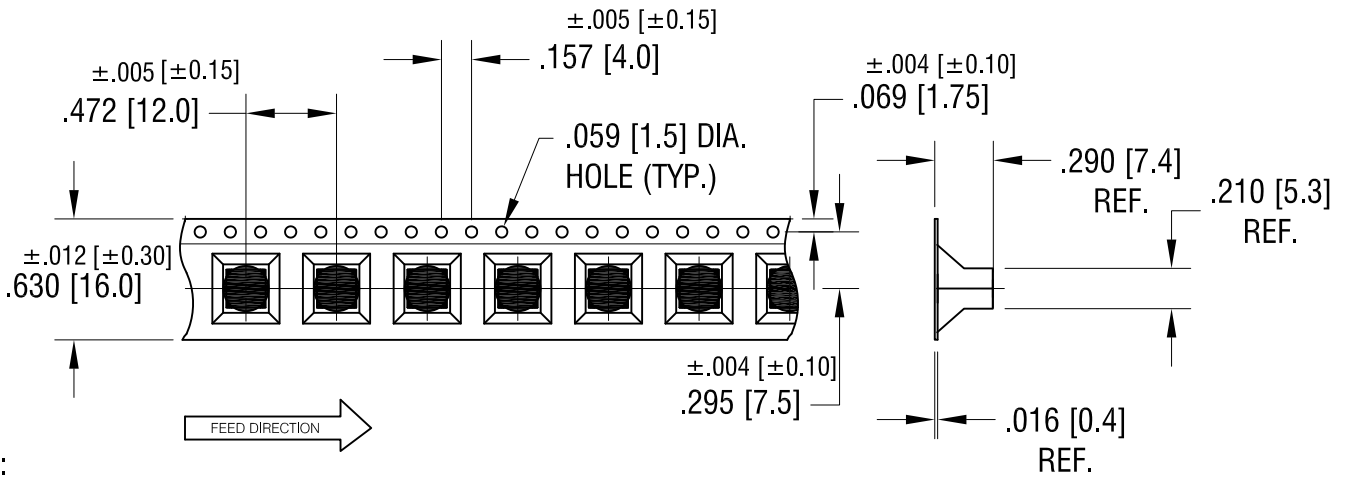
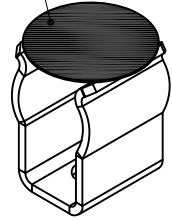


THIS DOCUMENT IS THE PROPERTY OF KEYSTONE ELECTRONICS CORP. AND SHALL NOT BE REPRODUCED, DISTRIBUTED OR USED AS A BASIS FOR MANUFACTURE WITHOUT PRIOR WRITTEN PERMISSION FROM KEYSTONE ELECTRONICS CORP.



KAPTON TAPE APPLIED TO TOP OF EACH FUSE CLIP FOR VACUUM PICK



NOTES:

TAPE AND REEL SPECIFICATIONS:

1. TAPE:

MAT'L - ALL CONDUCTIVE POLYSTYRENE CARRIER  
ANSI/EIA-481 STANDARD  
.630 [16.0] WIDE; .472 [12.0] PITCH

2. REEL:

13.0 [330.2] DIA. 700 PIECES OF  
PART NO. 3622 PER REEL.

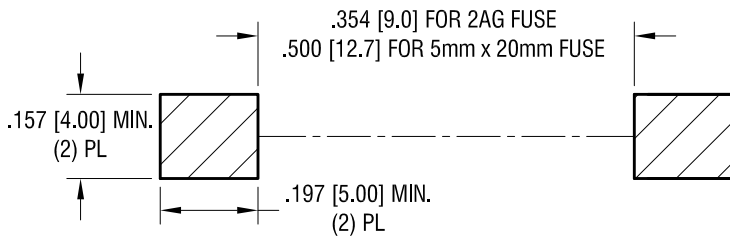
3. KAPTON TAPE TO BE APPLIED TO TOP

SURFACE OF FUSE CLIP FOR VACUUM PICK AND PLACE

|          |   |      |
|----------|---|------|
| 10.16.17 | KAPTON TAPE WAS SQUARE CHANGE AS PER ECN 17-060 | A    |
| DATE     | DESCRIPTION                                     | REV. |

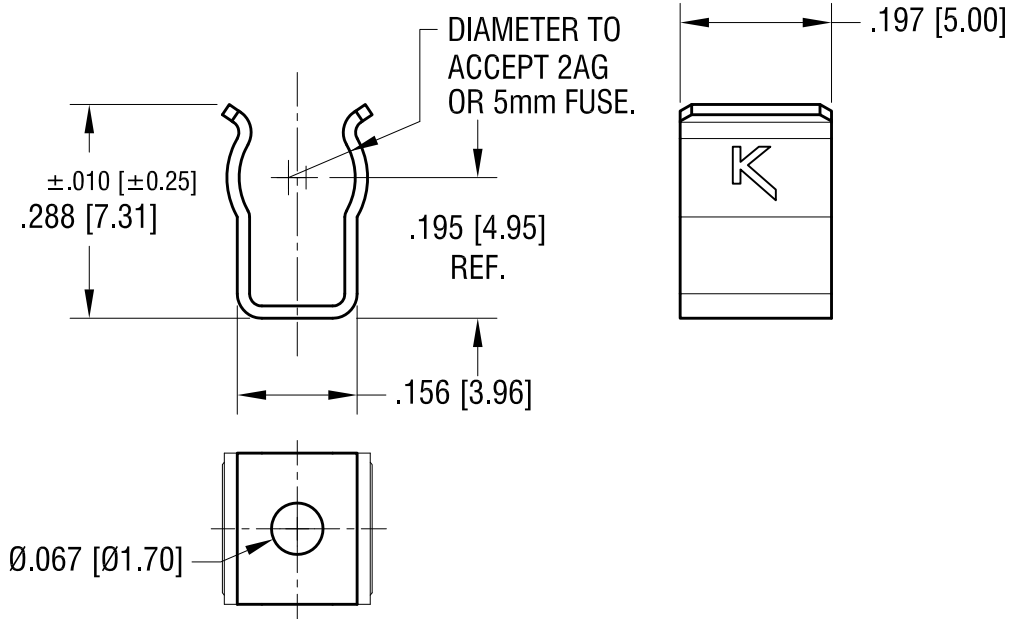
|  |                 |        |                |
|--|-----------------|--------|----------------|
| <b>KEYSTONE ELECTRONICS CORP.</b>                              |                 |        |                |
| www.keyelco.com • NEW HYDE PARK, NY 11040 • Tel (516) 328-7500 |                 |        |                |
| PART NAME  |                 |        |                |
| 2AG/5mm SURFACE MOUNT FUSE, ON TAPE                            |                 |        |                |
| MATERIAL   |                 |        |                |
| AS NOTED   |                 |        |                |
| FINISH   |                 | DRN BY | DATE           |
| AS NOTED   |                 | NT     | 4.05.17        |
|  |                 | APP'D  | SCALE          |
|  |                 | LN     | X              |
| TOLERANCES   | INCH [MM]       | CODE   | DWG NO.        |
| DECIMAL  | ± .015 [± 0.38] | C      | <b>3622KTR</b> |
| ANGULAR  | ± 1°            |        |                |
| UNLESS OTHERWISE SPECIFIED                                     |                 |        |                |

**PAD LAYOUT**



THIS DOCUMENT IS THE PROPERTY OF KEYSTONE ELECTRONICS CORP. AND SHALL NOT BE REPRODUCED, DISTRIBUTED OR USED AS A BASIS FOR MANUFACTURE WITHOUT PRIOR WRITTEN PERMISSION FROM KEYSTONE ELECTRONICS CORP.

**ACTUAL SIZE**



|          |                          |      |
|----------|--------------------------|------|
| 11.09.17 | CHANGE AS PER ECN 17-63  | C    |
| 4.11.17  | CHANGE AS PER ECN 17-034 | B    |
| 2.03.16  | CHANGE AS PER ECN 16-023 | A    |
| DATE     | DESCRIPTION              | REV. |

|  |                 |        |             |
|--|-----------------|--------|-------------|
| <b>KEYSTONE ELECTRONICS CORP.</b>                              |                 |        |             |
| www.keyelco.com • NEW HYDE PARK, NY 11040 • Tel (516) 328-7500 |                 |        |             |
| PART NAME  |                 |        |             |
| 2AG/5mm SURFACE MOUNT FUSE CLIP                                |                 |        |             |
| MATERIAL   |                 |        |             |
| .016 [0.40] TH'K BRASS   |                 |        |             |
| FINISH   |                 | DRN BY | DATE        |
| MATTE TIN PLATE  |                 | NT     | 1.31.11     |
|  |                 | APP'D  | SCALE       |
|  |                 | LN     | 4X          |
| TOLERANCES   | INCH [MM]       | CODE   | DWG NO.     |
| DECIMAL  | ± .005 [± 0.13] | C      | <b>3622</b> |
| ANGULAR  | ± 1°            |        |             |
| UNLESS OTHERWISE SPECIFIED                                     |                 |        |             |