



**REED SWITCH DEVELOPMENTS CORP.**

2524 Norwood Court  
Racine, WI 53403  
Ph: (262)883-9060

[sales@reedswitchdevelopments.com](mailto:sales@reedswitchdevelopments.com)

# SPECIFICATION SHEET

## 2010-1166-400

Alternate Part Numbers:  
**AM2010-1166-10K01**  
**3730-2010-1166-400-ND**

Active / Equivalent Part Numbers:

**2010-1166-400 - KIT - Contains**

(1) 2010-1166-100 - Magnetic Reed Sensor

(1) 2010-4002-000 - Magnetic Actuator

**AM2010-1166-10K01 - KIT - Contains**

(1) AM2010-1166-10-01 - Magnetic Reed Sensor

(1) AM2010-4002-00-01 - Magnetic Actuator

**3730-2010-1166-400-ND - KIT - Contains**

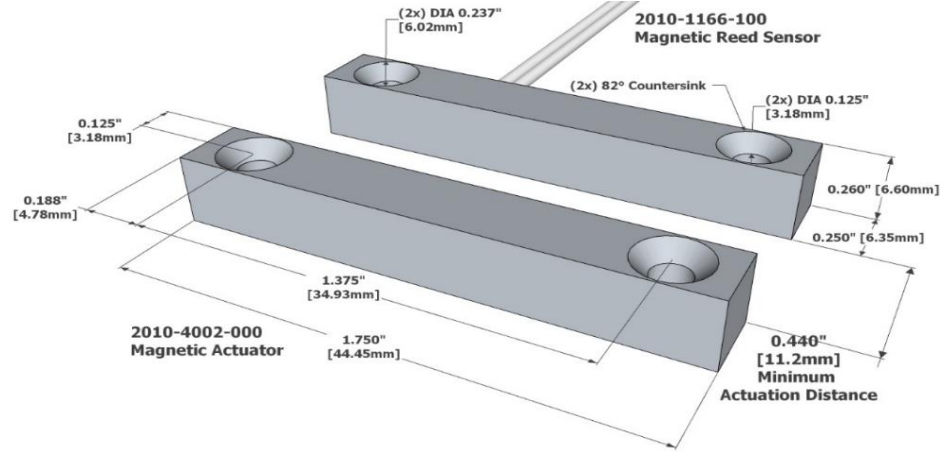
(1) 3730-2010-1166-100-ND - Magnetic Reed Sensor

(1) 3730-2010-4002-000-ND - Magnetic Actuator

**Sensor (Reed) - Specifications 1166**

Physical	Configuration	SPST	
	Form	A	
	Contact Position	CENTER	
	Glass L	10.5	mm
	Glass D	2.2	mm
	Total L*	34.5	mm
	Wire D	N/A	mm
	Gap Location	CENTER	
	Mount Spec*	N/A	
	Contact Material	N/A	
	Max Vibration Resistance	20	G
	Max Shock Resistance (11ms)	50	G
	Lead Tensile Strength	N/A	KG
	Operating	Pull in (+/- 2AT)*	15-20
Drop out*		N/A	AT
Operate Time		0.5	ms
Bounce Time		INCL	ms
Release Time		0.1	µs
Resonant Frequency		N/A	Hz
Max Operating Frequency		N/A	Hz
Operating Temperature Range		-40 - 130	°C
Storage Temperature		-55 - 130	°C
Electrical		DC Contact Rating	20
	AC Contact Rating	N/A	VA
	DC Switching Voltage	200	VDC
	AC Switching Voltage	140	VAC
	DC Switching Current	1.00	A
	AC Switching Current	1.00	A
	DC Max Carry Current	1.25	A
	AC Max Carry Current	1.25	A
	Min Breakdown Voltage	220	VDC
	Max Initial Contact Resistance	150	mOhm
	Typical Initial Contact Resistance	N/A	mOhm
	Max Contact Capacitance	0.30	pF
Min Insulation Resistance	10 <sup>12</sup>	Ohm	

\* Pre-processed, bare reed element



All measurements are in Inches [millimeters]

### Sensor - Wire/Cable Characteristics (cont.)

Type	Wire
Conductor Count	2
Length	6.0"/152.4mm
Colors	BLK
Insulation Material	PVC
Gauge	24 AWG
Stranded Copper	7 STR-TC
Maximum Temp	105°C

### Housing Characteristics 2010

Rectangular w/ Mounting Holes	
Length	1.750"/44.45mm
Width	0.250"/6.35mm
Height	0.260"/6.60mm
Material	Celanex 3316

### Standard Actuator: 2010-4002-000

Specifications	Description	UM
Magnetic Orientation	Through Length	
Max Operating Temp.	975/525	°F/°C
Curie Temp.	1580/860	°F/°C
BR max	12.8	kGauss
BH max	5.5	MGOe
Coercive Force Hc	640	kOe
Intrinsic Coercive Force Hci	640	kOe

### Standard Sensor/Actuator - Min. Actuation Distance

2010-4002-000	0.44"/11.2mm
---------------	--------------

### Assembly Certifications

UL Recognized (File #: E102207)	Y
RoHS / REACH Compliant	Y
Conflict Free Material	Y

REV DATE: 04/20/2023

DISCLAIMER NOTICE: INFORMATION FURNISHED IS PROPRIETARY, AND IS BELIEVED TO BE ACCURATE AND RELIABLE, AND IS SUBJECT TO CHANGE WITHOUT NOTICE. IT SHALL BE THE RESPONSIBILITY OF THE BUYER TO ENSURE THAT THE GOODS ARE SUFFICIENT AND SUITABLE FOR THE PURPOSE OR PURPOSES INTENDED (WHETHER BY THE BUYER OR BY ANY THIRD PARTY) AND THAT THEIR CAPACITY AND PERFORMANCE IS NOT ADVERSELY AFFECTED BY ANY ITEMS USED IN THEIR INSTALLATION (WHERE RELEVANT) AND/OR IN CONNECTION WITH THEM.

WBE Certified - State of Wisconsin - MFR CAGE CODE: 32604

[www.reedswitchdevelopments.com](http://www.reedswitchdevelopments.com)