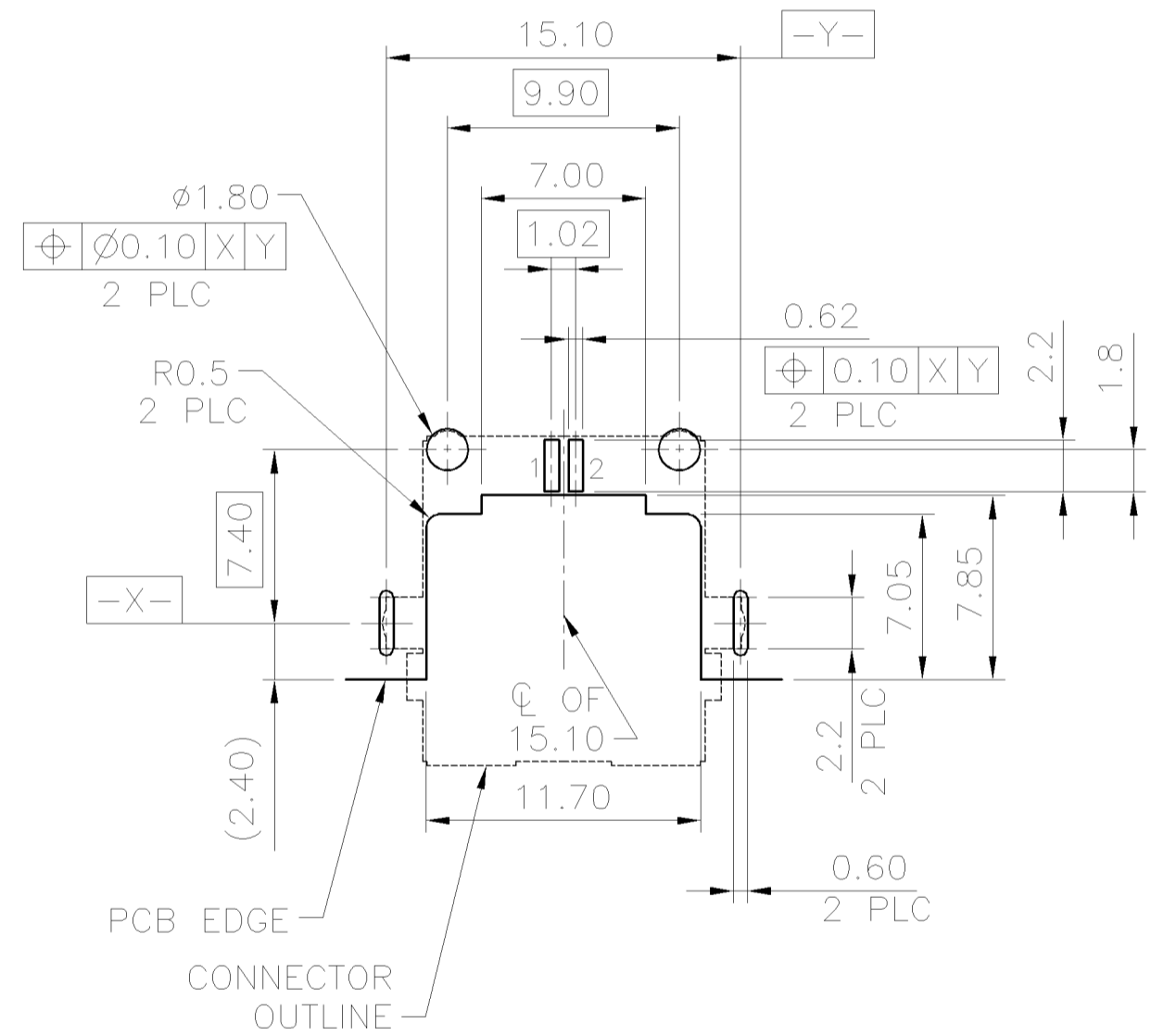
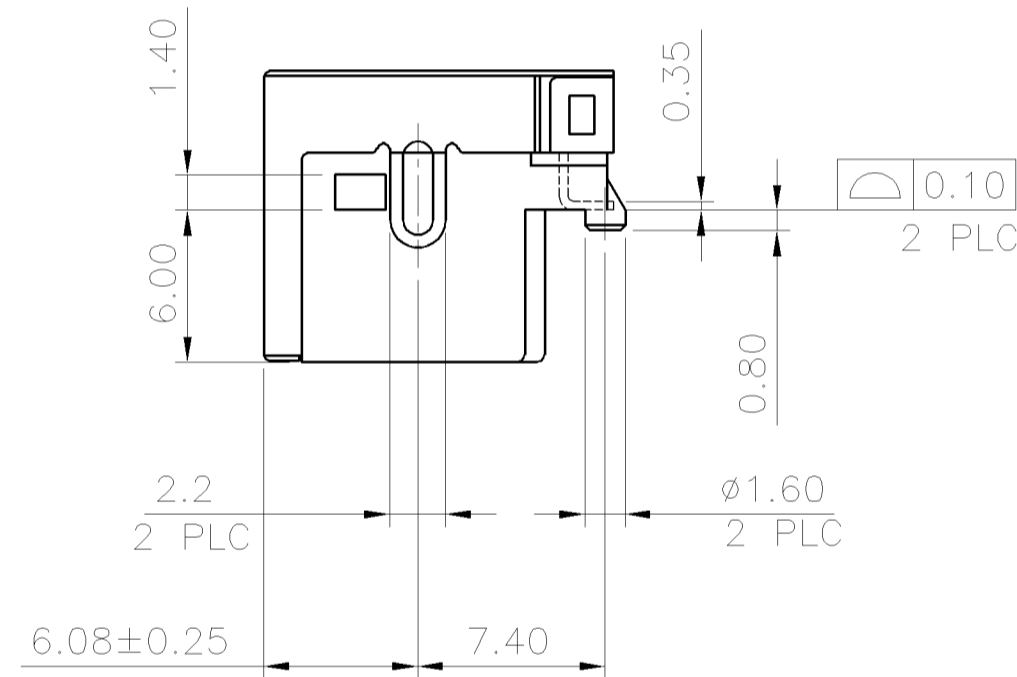
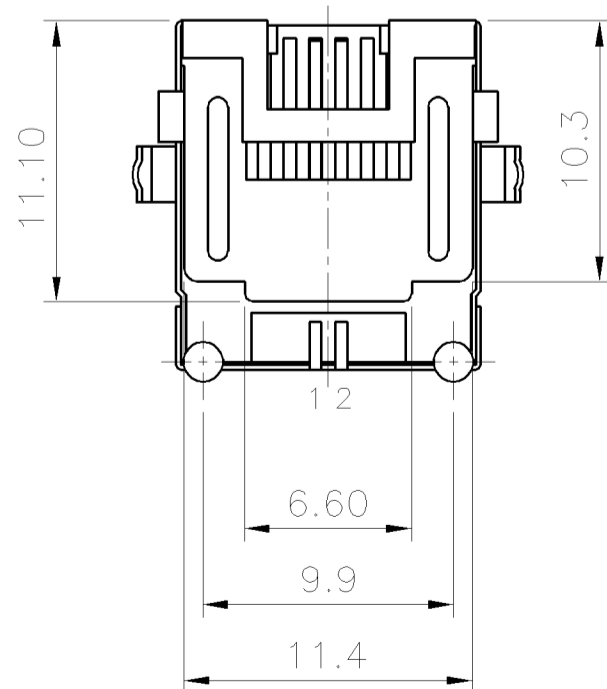
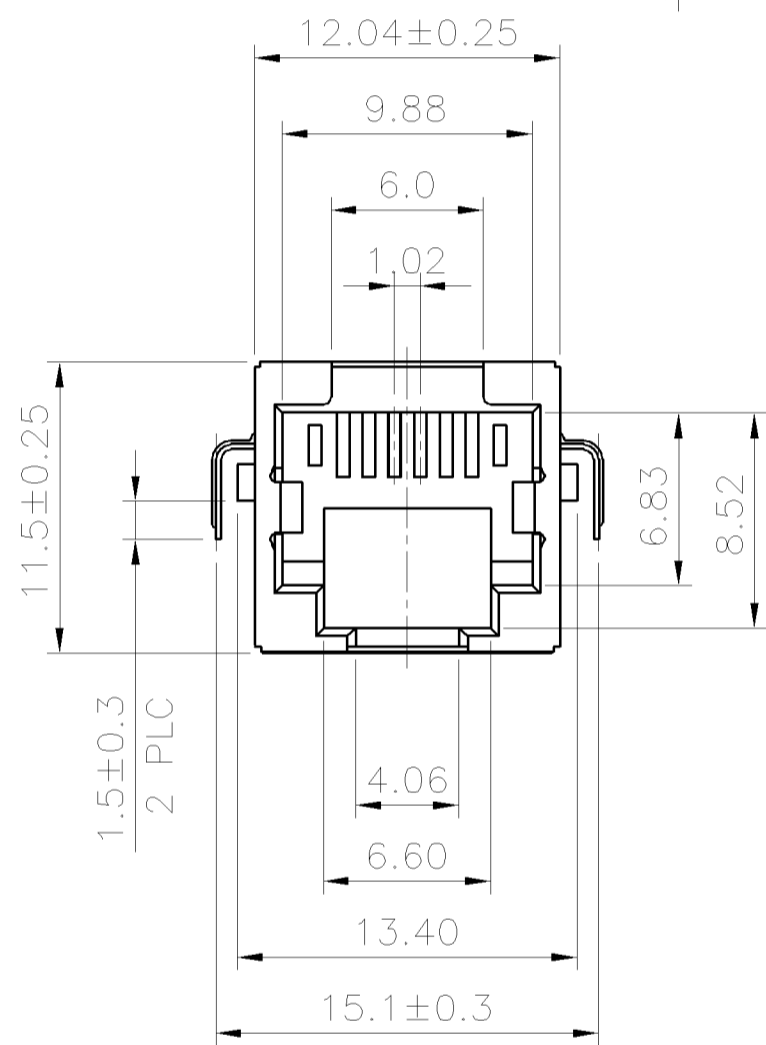
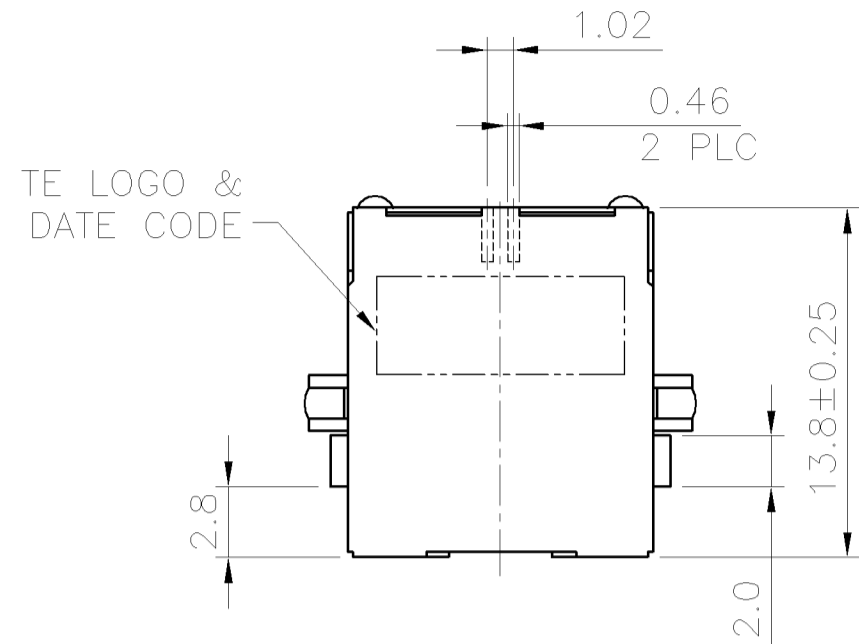


THIS DRAWING IS UNPUBLISHED. RELEASED FOR PUBLICATION
 © COPYRIGHT BY TYCO ELECTRONICS CORPORATION. ALL RIGHTS RESERVED.

LOC		DIST		REVISIONS			
P	LTR	DESCRIPTION	DATE	DWN	APVD		
B		ECR-08-020124, ADD SHEET 2.	11AUG08	TK	WK		

NOTE:

- MATERIAL:**
 INSERT HOUSING: PA46 WITH 30% GF, UL 94V-0, COLOR: BLACK.
 HOUSING: PA9T WITH 30% GF, UL 94V-0, COLOR: BLACK.
 CONTACTS: PHOSPHOR BRONZE.
 SHELL: BRASS.
- FINISH:**
 CONTACTS: (SEE TABLE) GOLD PLATED ON CONTACT AREA, GOLD FLASH ON SOLDER TAIL, WITH ENTIRE CONTACT UNDERPLATED
 1.27µm [50µ"] MIN. NICKEL.
 SHELL: 0.508µm [20µ"] MIN. NICKEL PLATED.
- REFLOW SOLDER CAPABLE TO 260°C PER TE SPEC 109-201, CONDITION B.



RECOMMENDED PCB LAYOUT (THICKNESS: 1.6mm)
 DIMENSION TOLERANCE: (1 PLC: ±0.1 2PLC: ±0.05)
 TOP VIEW

0.762µm [30µ"]	1759518-1
MIN. GOLD THICKNESS	PART NUMBER

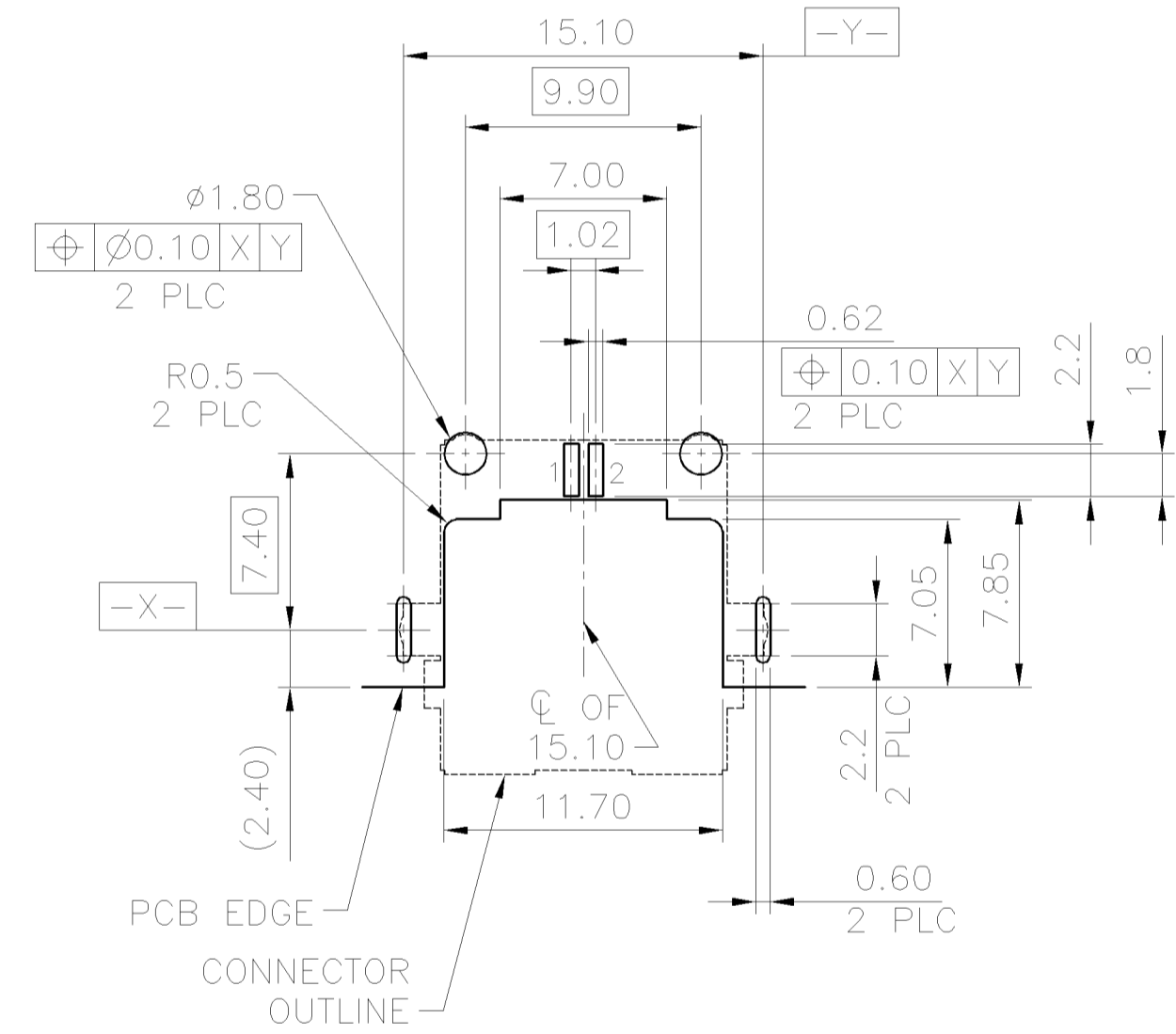
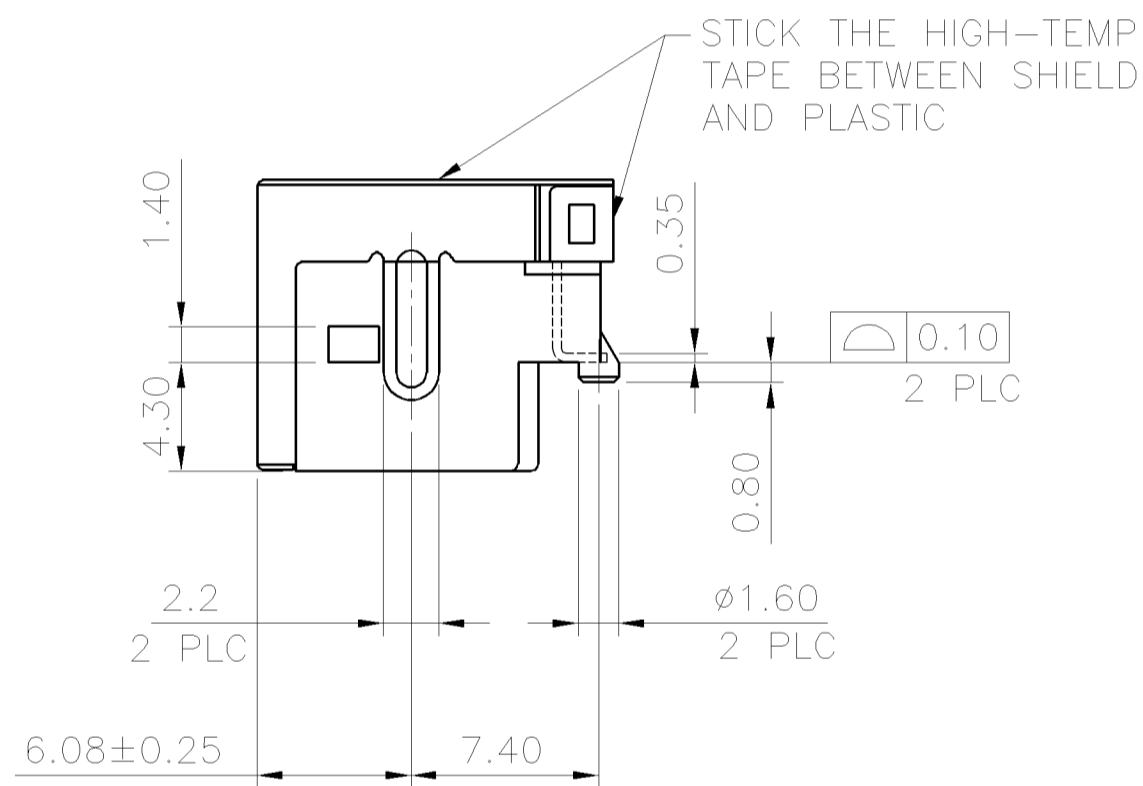
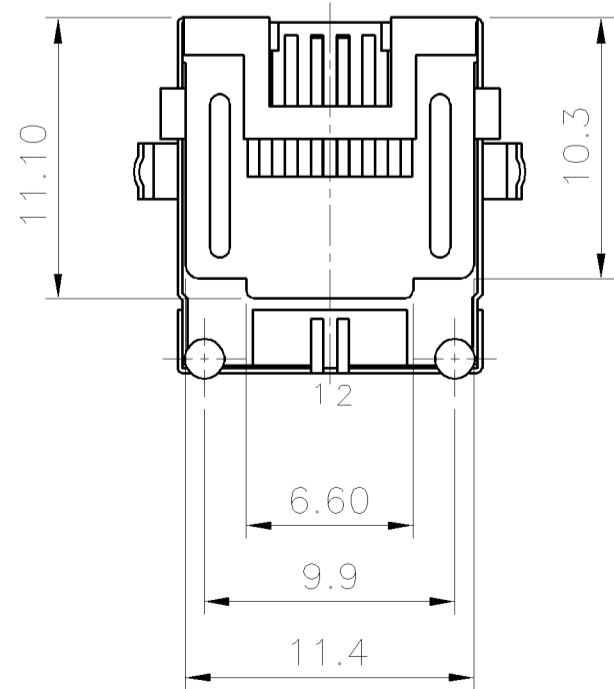
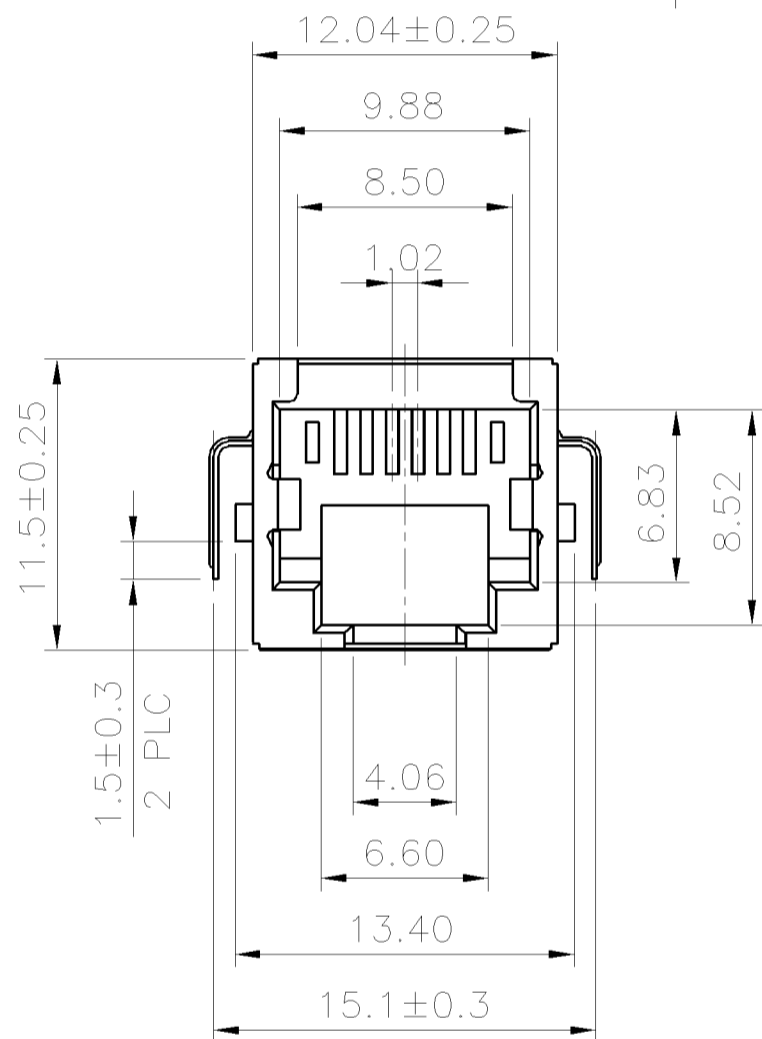
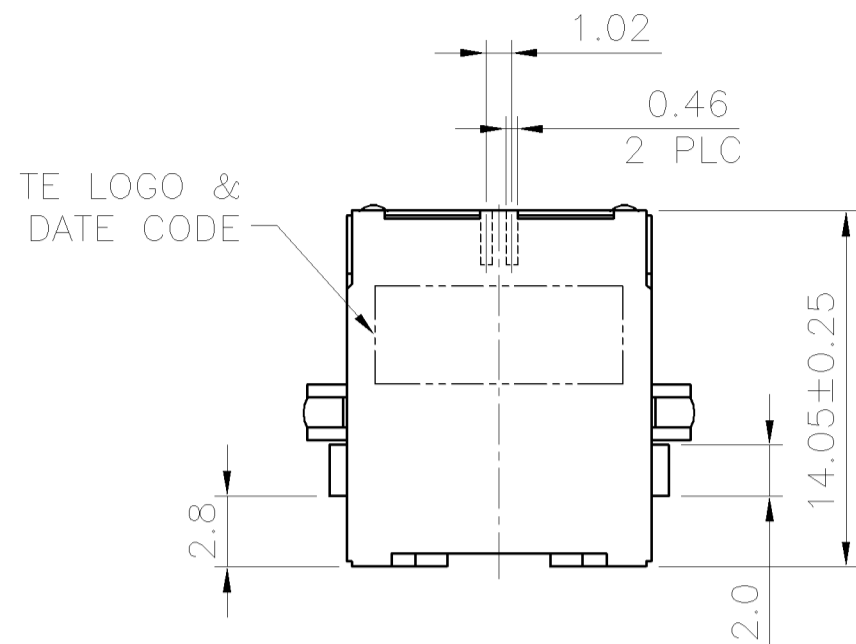
THIS DRAWING IS A CONTROLLED DOCUMENT.		DWN S. HUANG 02JUN2006	Tyco Electronics Corporation Taipei, Taiwan	
DIMENSIONS: MM		CHK S. KOBAYASHI 02JUN2006	NAME	
TOLERANCES UNLESS OTHERWISE SPECIFIED:		APVD W. KODAMA 02JUN2006	MODULAR JACK, RJ11, BOTTOM MOUNT, OFFSET, SMT TYPE.	
0 PLC ± -		PRODUCT SPEC	SIZE	CAGE CODE
1 PLC ± 0.3		APPLICATION SPEC	A2	00779
2 PLC ± 0.25			DRAWING NO	RESTRICTED TO
3 PLC ± 0.15			C=1759518	-
4 PLC ± -			SCALE	SHEET
ANGLES ± 3'			-	1 of 3
MATERIAL SEE NOTE	FINISH SEE NOTE	WEIGHT 1.75 GRAMS	REV	B
CUSTOMER DRAWING				

THIS DRAWING IS UNPUBLISHED. RELEASED FOR PUBLICATION
 © COPYRIGHT BY TYCO ELECTRONICS CORPORATION. ALL RIGHTS RESERVED.

LOC	DIST	REVISIONS			
P	LTR	DESCRIPTION	DATE	DWN	APVD
DW	-	SEE SHEET 1.			

NOTE:

- MATERIAL:
 INSERT HOUSING: PA46 WITH 30% GF, UL 94V-0, BLACK COLOR.
 HOUSING: PA9T 30% GF, UL 94V-0, BLACK COLOR.
 CONTACTS: PHOSPHOR BRONZE.
 SHELL: BRASS.
- FINISH:
 CONTACTS: (SEE TABLE) GOLD PLATED ON CONTACT AREA, GOLD FLASH ON SOLDER TAIL, WITH ENTIRE CONTACT UNDERPLATED
 1.27μm [50μ"] MIN. NICKEL.
 SHELL: 0.508μm [20μ"] MIN. NICKEL PLATED.
- REFLOW SOLDER CAPABLE TO 260°C PER TE SPEC 109-201, CONDITION B.



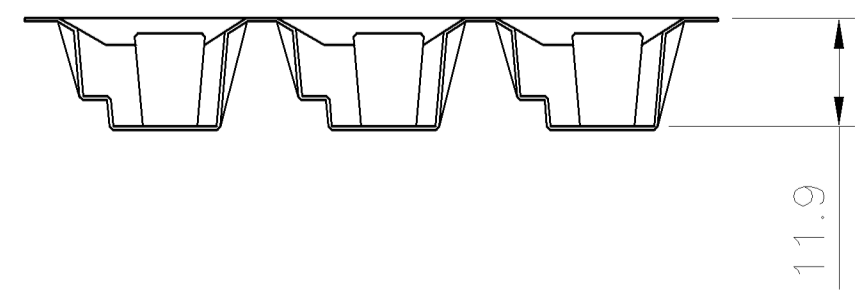
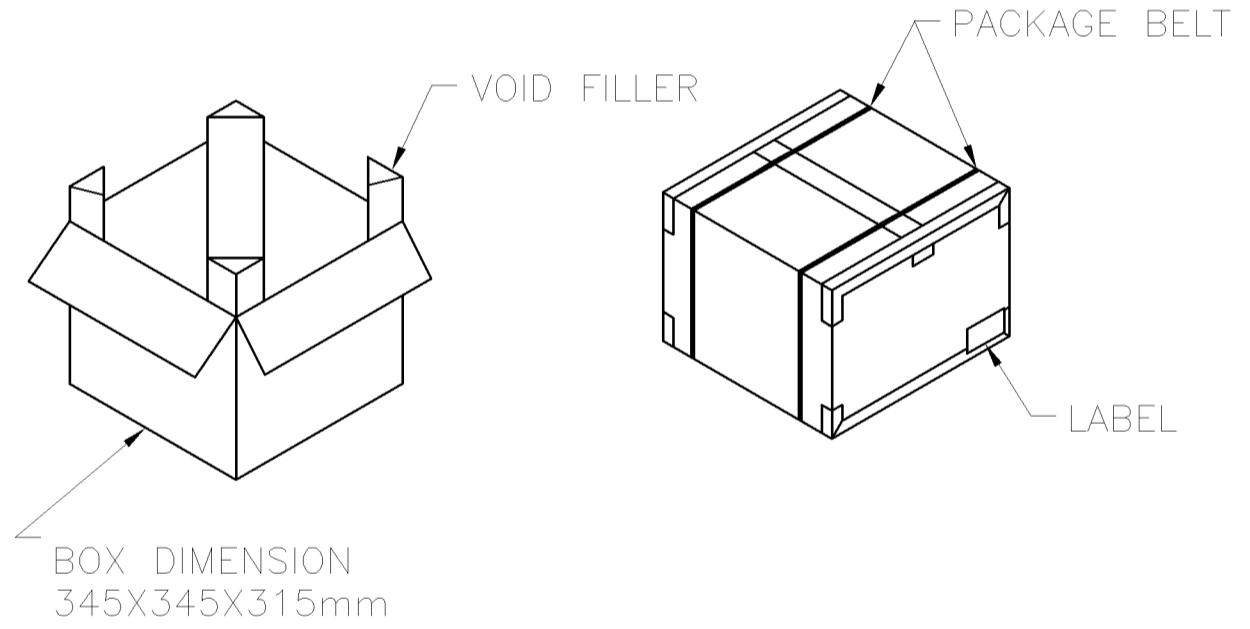
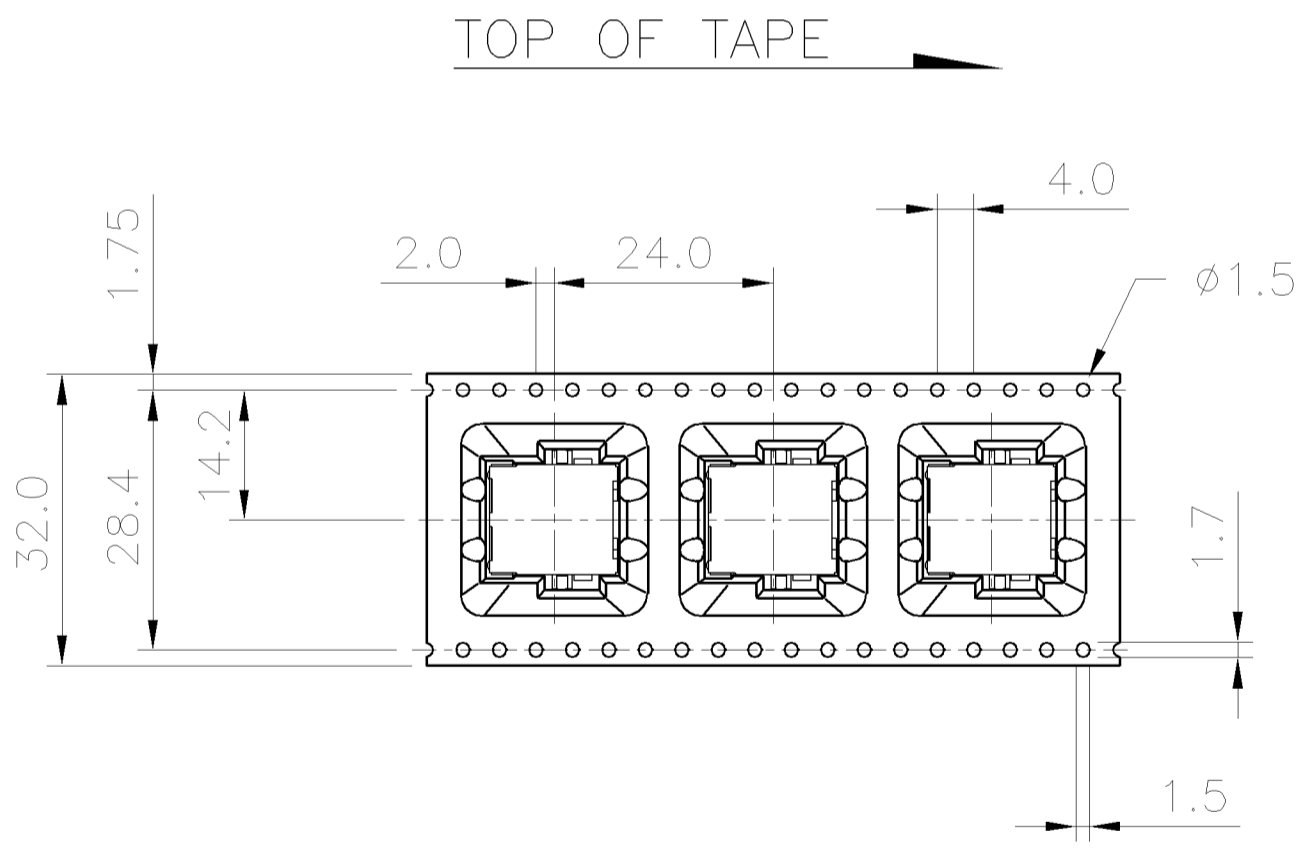
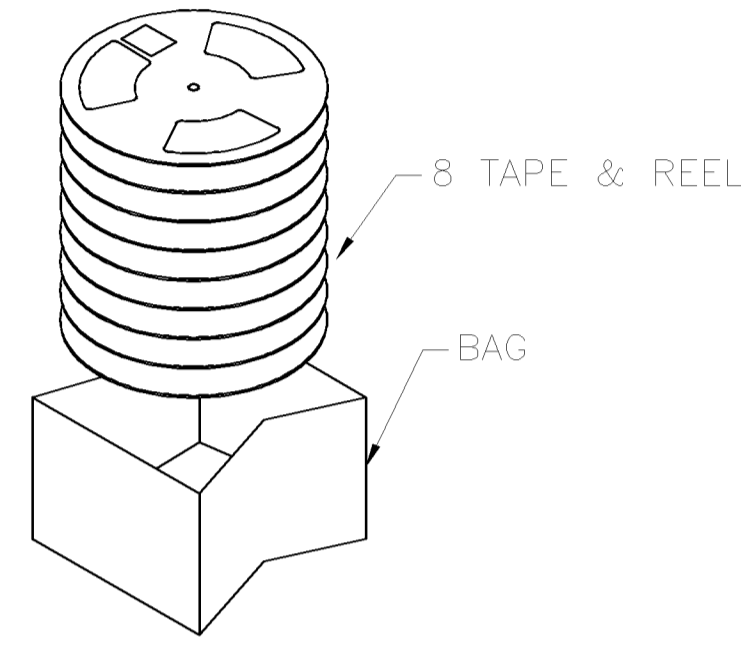
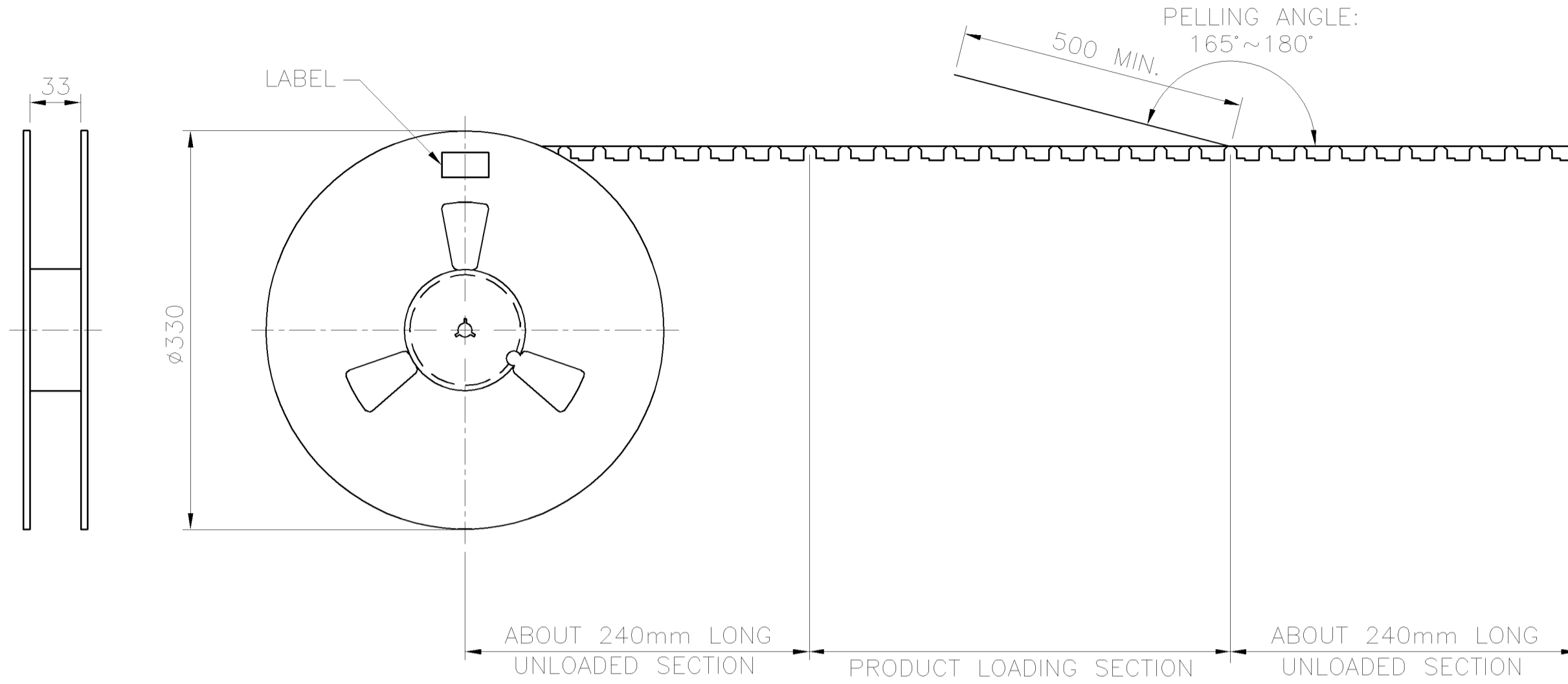
RECOMMENDED PCB LAYOUT (THICKNESS: 1.6mm)
 DIMENSION TOLERANCE: (1 PLC: ±0.1 2PLC: ±0.05)
 TOP VIEW

0.762μm [30μ"]	1759518-2
MIN. GOLD THICKNESS	PART NUMBER

THIS DRAWING IS A CONTROLLED DOCUMENT.		DWN S. HUANG 02JUN2006	Tyco Electronics Corporation Taipei, Taiwan	
DIMENSIONS: MM		CHK S. KOBAYASHI 02JUN2006	NAME	
TOLERANCES UNLESS OTHERWISE SPECIFIED:		APVD W. KODAMA 02JUN2006	MODULAR JACK, RJ11, BOTTOM MOUNT, OFFSET, SMT TYPE.	
0 PLC ±	1 PLC ±	PRODUCT SPEC	SIZE	CAGE CODE
2 PLC ±	3 PLC ±	APPLICATION SPEC	A2	00779
4 PLC ±	ANGLES ±	WEIGHT	DRAWING NO C=1759518	
MATERIAL	FINISH	CUSTOMER DRAWING	SCALE	SHEET 2 of 3
				REV B

THIS DRAWING IS UNPUBLISHED. RELEASED FOR PUBLICATION
 © COPYRIGHT BY TYCO ELECTRONICS CORPORATION. ALL RIGHTS RESERVED.

LOC	DIST	REVISIONS			
P	LTR	DESCRIPTION	DATE	DWN	APVD
DW	-	SEE SHEET 1.			



4.8 Kg	2.8 Kg	200	8	1600 PCS
GROSS WEIGHT (REF.)	NET WEIGHT (REF.)	PCS/TAPE	REELS/BOX	QUANTITY

THIS DRAWING IS A CONTROLLED DOCUMENT.		DWN S. HUANG 02JUN2006	Tyco Electronics Corporation Taipei, Taiwan	
DIMENSIONS: MM		CHK S. KOBAYASHI 02JUN2006	NAME	
TOLERANCES UNLESS OTHERWISE SPECIFIED:		APVD W. KODAMA 02JUN2006	MODULAR JACK, RJ11, BOTTOM MOUNT, OFFSET, SMT TYPE.	
0 PLC ± -	1 PLC ± -	PRODUCT SPEC	SIZE A2	CAGE CODE 00779
2 PLC ± -	3 PLC ± -	APPLICATION SPEC	DRAWING NO C=1759518	RESTRICTED TO
4 PLC ± -	ANGLES ± -	WEIGHT -	SCALE -	SHEET 3 of 3
MATERIAL	FINISH	CUSTOMER DRAWING	REV B	