

2-2205132-3 ✓ ACTIVE



TE Internal #: 2-2205132-3  
INDUSTRIAL MINI I/O Cable Assembly, 8 Positions, 6.56 ft [2 m], 1 Gb/s, Black Cable, Equalized, Shielded, 26 AWG, .129 mm<sup>2</sup>, Twisted Pair

[View on TE.com >](#)

Cable Assemblies > Copper Cable Assemblies > Pluggable I/O Cable Assemblies



Cable Assembly Type: INDUSTRIAL MINI I/O

Equalized: Yes

Wire Size: .129 mm<sup>2</sup>

Outside Cable Diameter: 6.2 mm [ .244 in ]

## Features

### Product Type Features

Latching Style	Slide Latch
Cable Assembly Category	Industry Standard
Cable Assembly Type	INDUSTRIAL MINI I/O
Connector Type (End A)	INDUSTRIAL MINI I/O Plug
Connector Type (End B)	INDUSTRIAL MINI I/O Plug
Cable Style	Twisted Pair

### Configuration Features

Number of Positions	8
Number of Signal Positions	8

### Electrical Characteristics

Impedance	100 Ω
-----------	-------

### Signal Characteristics

Data Rate	1 Gb/s
-----------	--------

### Body Features

Shield Material	Copper Alloy
-----------------	--------------



Jacket Material	PUR
-----------------	-----

Equalized	Yes
-----------	-----

Cable Color	Black
-------------	-------

Cable Flammability Rating	UL 444
---------------------------	--------

### Contact Features

Contact Mating Area Plating Material Thickness	19.68 μm [.5 μin]
--	-------------------

Contact Mating Area Plating Material	Gold
--------------------------------------	------

### Housing Features

Housing Material	Thermoplastic
------------------	---------------

### Dimensions

Wire Size	.129 mm <sup>2</sup>
-----------	----------------------

Outside Cable Diameter	6.2 mm [.244 in]
------------------------	------------------

### Operation/Application

Shielded	Yes
----------	-----

Halogen Free	Yes
--------------	-----

### Industry Standards

Performance Category	Cat 5e
----------------------	--------

### Other

Cable Assembly Configuration	Double Ended
------------------------------	--------------

Cable Assembly Length	2 m [6.56 ft]
-----------------------	---------------

### Product Compliance

[For compliance documentation, visit the product page on TE.com>](#)

EU RoHS Directive 2011/65/EU	Compliant
------------------------------	-----------

EU ELV Directive 2000/53/EC	Compliant
-----------------------------	-----------

China RoHS 2 Directive MIIT Order No 32, 2016	No Restricted Materials Above Threshold
---	---

EU REACH Regulation (EC) No. 1907/2006	Current ECHA Candidate List: JUNE 2023 (235) Candidate List Declared Against: JAN 2021 (211) Does not contain REACH SVHC
--	--

Halogen Content	Not Low Halogen - contains Br or Cl > 900 ppm.
-----------------	--

Solder Process Capability	Not applicable for solder process capability
---------------------------	--

Product Compliance Disclaimer

This information is provided based on reasonable inquiry of our suppliers and represents our current actual knowledge based on the information they provided. This information is subject to change. The part numbers that TE has identified as EU RoHS compliant have a maximum concentration of 0.1% by weight in homogenous materials for lead, hexavalent chromium, mercury, PBB, PBDE, DBP, BBP, DEHP, DIBP, and 0.01% for cadmium, or qualify for an exemption to these limits as defined in the Annexes of Directive 2011/65/EU (RoHS2). Finished electrical and electronic equipment products will be CE marked as required by Directive 2011/65/EU. Components may not be CE marked. Additionally, the part numbers that TE has identified as EU ELV compliant have a maximum concentration of 0.1% by weight in homogenous materials for lead, hexavalent chromium, and mercury, and 0.01% for cadmium, or qualify for an exemption to these limits as defined in the Annexes of Directive 2000/53/EC (ELV). Regarding the REACH Regulation, the information TE provides on SVHC in articles for this part number is based on the latest European Chemicals Agency (ECHA) 'Guidance on requirements for substances in articles' posted at this URL: <https://echa.europa.eu/guidance-documents/guidance-on-reach>

### Compatible Parts



TE Part # 1-2201864-1  
MINI I/O REC KIT TYPE II L



TE Part # 1-2201855-2  
MINI I/O PLUG KIT TYPE II M



TE Part # 2229737-2  
MINI I/O PIERCING TYPE HAND TOOL

### Customers Also Bought



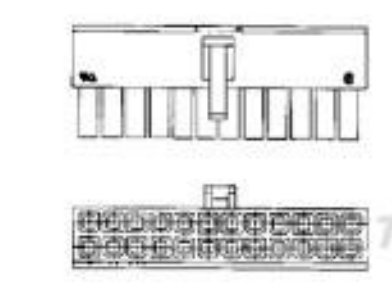
TE Part #20009605-07  
FX292X-100A-0100-L



TE Part #T4030014031-000  
M8.MLE.PNLREAR.3POS.STR



TE Part #2-2205131-1  
CA MINI IO MINI IO TYPE I



TE Part #2-794954-4  
24P RCPT VAL-U-LOK V2



TE Part #926657-6  
LOCKING CLIP HSG



TE Part #147873-1  
SWITCH,TACT,SMT,J-LEAD,5.0MM



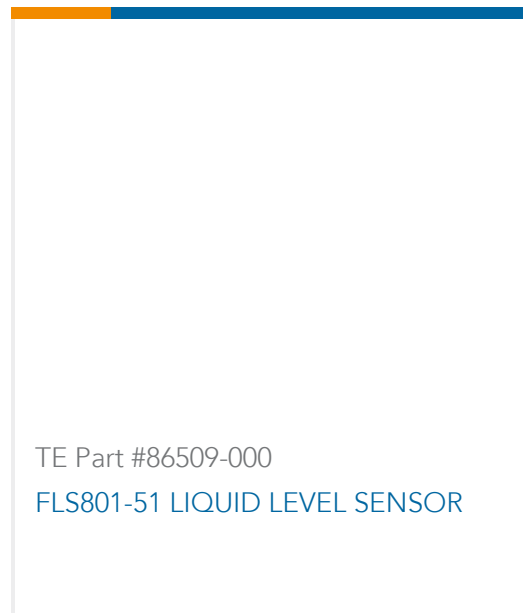
TE Part #2-2205131-3  
CA MINI IO MINI IO TYPE I



TE Part #1614883-2  
CPF0805 100K 0.1% 25PPM 1K RL



TE Part #5070112026  
RNF-100-1-1/2-X-STK



TE Part #86509-000  
FLS801-51 LIQUID LEVEL SENSOR

## Documents

### Product Drawings

CA MINI IO MINI IO TYPE II

English

### CAD Files

3D PDF

3D

Customer View Model

[ENG\\_CVM\\_CVM\\_2-2205132-3\\_B.2d\\_dxf.zip](#)

English

Customer View Model

[ENG\\_CVM\\_CVM\\_2-2205132-3\\_B.3d\\_igs.zip](#)

English

Customer View Model

[ENG\\_CVM\\_CVM\\_2-2205132-3\\_B.3d\\_stp.zip](#)

English

By downloading the CAD file I accept and agree to the [Terms and Conditions](#) of use.

### Product Specifications

Application Specification

English