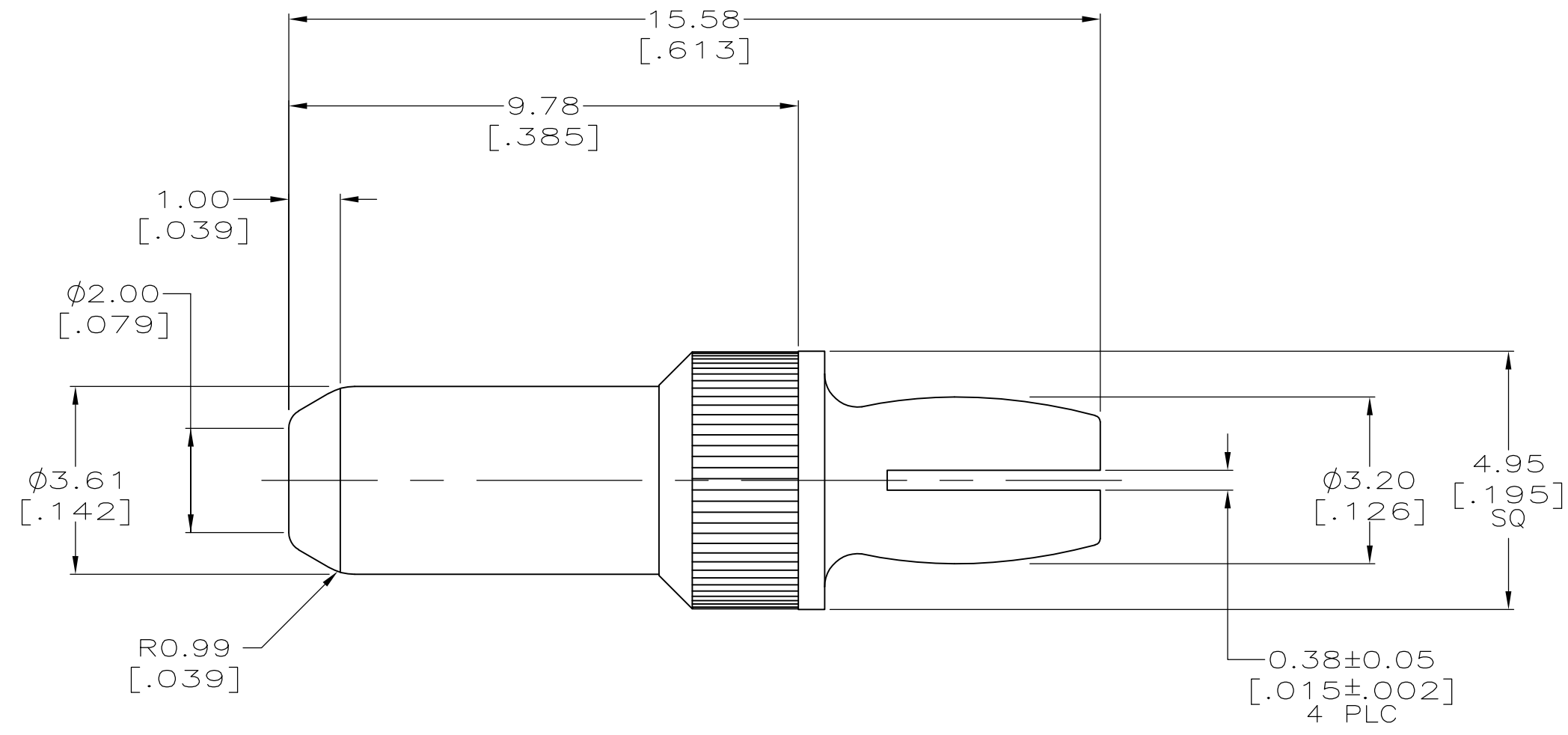


LOC	DIST	REVISIONS					
AD	00	P	LTR	DESCRIPTION	DATE	DWN	APVD
			B	REV PER EC 0S12-0302-05	05DEC05	BC	GS
			C	ECR-10-019054	15SEP10	DP	MQW



148546-1  
 PART NUMBER

- ① CONTACT: COPPER ALLOY.
- ② CONTACT: 0.76μm[.000030] MIN GOLD OVER 1.27μm[.000050] MIN NICKEL.
- 3. COMPLIANT PIN REQUIRES A 2.36[.093] MIN THICK PC BOARD. DRILLED HOLES ARE 3.13±0.08 [.123±.003] WITH 0.05±0.025[.002±.001] COPPER AND 0.005[.0001] MIN TIN-LEAD. FINISHED HOLE SIZE TO BE 3±0.08[.118±.003].

THIS DRAWING IS A CONTROLLED DOCUMENT.		DWN B.CARBO 25 AUG 99	Tyco Electronics Corporation Harrisburg, PA 17105-3608	
DIMENSIONS: mm [INCHES]		CHK C.RICHARD 25 AUG 99	NAME POWER CONTACT, MALE, PRESS FIT, (40 AMP)	
TOLERANCES UNLESS OTHERWISE SPECIFIED:		APVD C.RICHARD 25 AUG 99	PRODUCT SPEC	
0-PLC ± ± ±0.2 1-PLC ± ± ±0.2 2-PLC ± ± ±0.13 [.005] 3-PLC ± ± ±0.13 [.005] 4-PLC ± ± ±0.13 [.005] ANGLES ± ± ±		APPLICATION SPEC		RESTRICTED TO
MATERIAL ①	FINISH ②	WEIGHT -	SIZE A3	CAGE CODE 00779
CUSTOMER DRAWING		DRAWING NO C-148546	SCALE 10:1	SHEET 1 of 1
				REV C