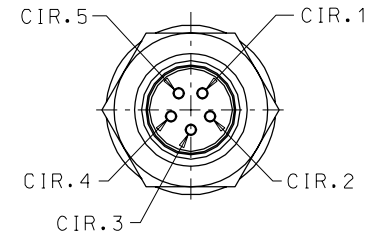
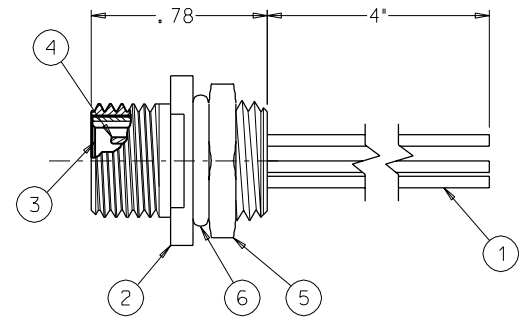
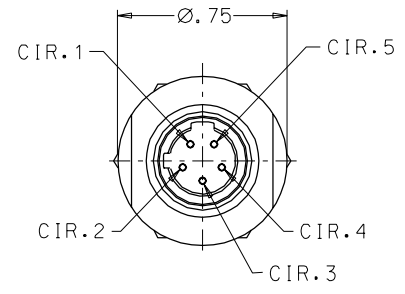


REV	DATE	ECN NO.	APPVD BY	REL BY
A	4-10-00	UM2000-0507		



P1

1	WHT
2	GRN
3	BLU
4	BLK
5	RED

WIRING DIAGRAM

6	1	O-RING	BUNA-N
5	1	LOCKNUT, PANEL	STEEL/ZINC PLATED
4	5	CONTACT, PIN	CU ALLOY/GOLD PLATED
3	1	INSERT, PIN, 5/C	NYLON/COLOR: GRAY
2	1	BODY, RCPT, DUAL KEY	ALUMINUM/NICKEL PLATED
1	SEE ABOVE	WIRE, 22 AWG.	PVC INSULATED
ITEM	QTY	DESCRIPTION	MATERIAL/FINISH

QUALITY SYMBOLS MAJOR = CRITICAL = SPC =	UNLESS SPECIFIED: ALL DIMENSIONS IN INCHES GENERAL TOLERANCES: 3 PLACE ±.005 2 PLACE ±.01 ANGULAR ±2°	SCALE: --- DWG SIZE: B DRAWN BY & DATE: DW 12-8-93 CHECKED BY & DATE: DW 12-8-93 APPROVED BY & DATE: DW 12-8-93	THIRD ANGLE PROJECTION REVISE ON CAD ONLY TITLE: MICRO-C, RCPT, MALE, 5/C, 22 AWG. MOLEX INCORPORATED Orange, CA 92868
	Uti-Mate CAGE CODE 58967	PART NO. 849080034 DRAWING NO. SD-84908-0034	SHEET NO. 1 OF 1
	THIS DRAWING CONTAINS INFORMATION THAT IS PROPRIETARY TO MOLEX INCORPORATED AND SHOULD NOT BE USED WITHOUT WRITTEN PERMISSION.		
	REV G		