

SFPP-XGS-OLT-N2-C

MSA and TAA 10GBase-N2 XGS-PON OLT SFP+ Transceiver (SMF, 1577nmTx/1270nmRx, 20km, SC, DOM)

Features:

- Hot Pluggable SFP+
- 3.3V DC Power Supply
- 4 Lambda
- SC receptacle optical connector
- 2x10 SFP+ Electrical Interface
- ITU-T G.9807.1 Class N2 compliant
- Commercial Temperature 0 to 70 Celsius
- RoHS compliant and Lead Free



Applications:

- XGS-PON OLT
- Access and Enterprise

Product Description

This MSA Compliant SFP+ transceiver provides XGS-N2/C+ throughput up to 20km over single-mode fiber (SMF) using a wavelength of 1577nmTx/1270nmRx via a SC connector. It is built to MSA standards and is uniquely serialized and data-traffic and application tested to ensure that they will integrate into your network seamlessly. Digital optical monitoring (DOM) support is also present to allow access to real-time operating parameters. This transceiver is Trade Agreements Act (TAA) compliant. We stand behind the quality of our products and proudly offer a limited lifetime warranty.

ProLabs' transceivers are RoHS compliant and lead-free.

TAA refers to the Trade Agreements Act (19 U.S.C. & 2501-2581), which is intended to foster fair and open international trade. TAA requires that the U.S. Government may acquire only "U.S. – made or designated country end products."



Absolute Maximum Ratings

Parameter	Symbol	Min.	Max.	Unit	Notes
Maximum Supply Voltage	V _{CC3}	0	3.6	V	
Storage Temperature	T _{stg}	-40	85	°C	
Operating Temperature	T _c	0	70	°C	
Operating Relative Humidity	RH	5	85	%	

Electrical Characteristics

Parameter	Symbol	Min.	Typ.	Max.	Unit	Notes
Supply Voltage	V _{CC3}	3.14	3.3	3.47	V	
Supply Current	I _{CC3}			750	mA	
Module Power Dissipation	P _{DISS}			2.5	W	
Transmitter						
Data Input Differential Swing	V _{IN}	120		850	mVp-p	
Input Differential Impedance	Z _{IN}	80	100	120	Ω	
Tx_Disable (Asserted)	V _{DH}	2.0		3.3	V	
Tx_Disable (Negated)	V _{DL}	0		0.8	V	
Tx_Fault Output Voltage - High		2.4		3.3	V	
Tx_Fault Output Voltage - Low		0		0.4	V	
Receiver						
Differential Output Differential Swing	V _{RXDIFF}	400		800	mVp-p	
Signal Detected Voltage - High	V _{sd_h}	2		3.3	V	
Signal Detected Voltage - Low	V _{sd_l}	0		0.4	V	

Optical Characteristics

Parameter	Symbol	Min.	Typ.	Max.	Unit	Notes	
Transmitter (9.953G)							
Data Rate	BR		9.953		Gbps		
Center Wavelength	λ_C	1575	1577	1580	nm		
Spectral Width (-20dB)	$\Delta\lambda$			1	nm		
SMSR		30			dB		
Optical Power Output	POUT	4		7	dBm		
Extinction Ratio	ER	8.2			dB		
Eye Mask Margin	EM	Compliance ITU.T G.9807.1 Requirement					
Optical Output Power with Tx Off	Poff			-39	dBm		
RIN ₁₂ OMA				-128	dB/Hz		
Receiver (9.953/2.488G)							
Input Operating Wavelength	λ_{RX}	1260	1270	1280	nm		
Receiver Sensitivity (BER 10 ⁻³)	@9.953			-28	dBm		
Receiver Sensitivity (BER 10 ⁻⁴)	@2.488			-29.5	dBm		
Receiver Overload (BER 10 ⁻¹²)	@9.953	-5			dBm		
Receiver Overload (BER 10 ⁻¹²)	@2.488	-7			dBm		
Maximum Input Power		-3			dBm		
Receiver Reflectance	RRX			-12	dB		
Receiver Tolerance to Reflected Optical Power				10	dB		
Signal Detected De-Assert Level	Psdd	-40			dBm		
Signal Detected Assert Level	Psda			-29	dBm		
SD Hysteresis	SD_Hys		0.5		dB		

Digital Diagnostic Functions

Parameter	Range	Unit	Accuracy	Notes
Temperature	-40°C to 85°C	°C	±3	LSB equal to 1/256C
Supply Voltage (3.3V)	3.14V to 3.47V	V	±3%	LSB equal to 100uV
Tx Bias Current	0mA to 150mA	mA	±10%	LSB equal to 4uA
Tx Optical Power	4dBm to 7dBm	dBm	±2	LSB equal to 0.2uW
Rx Power	-30dBm to -6dBm	dBm	±3	LSB equal to 0.1uW

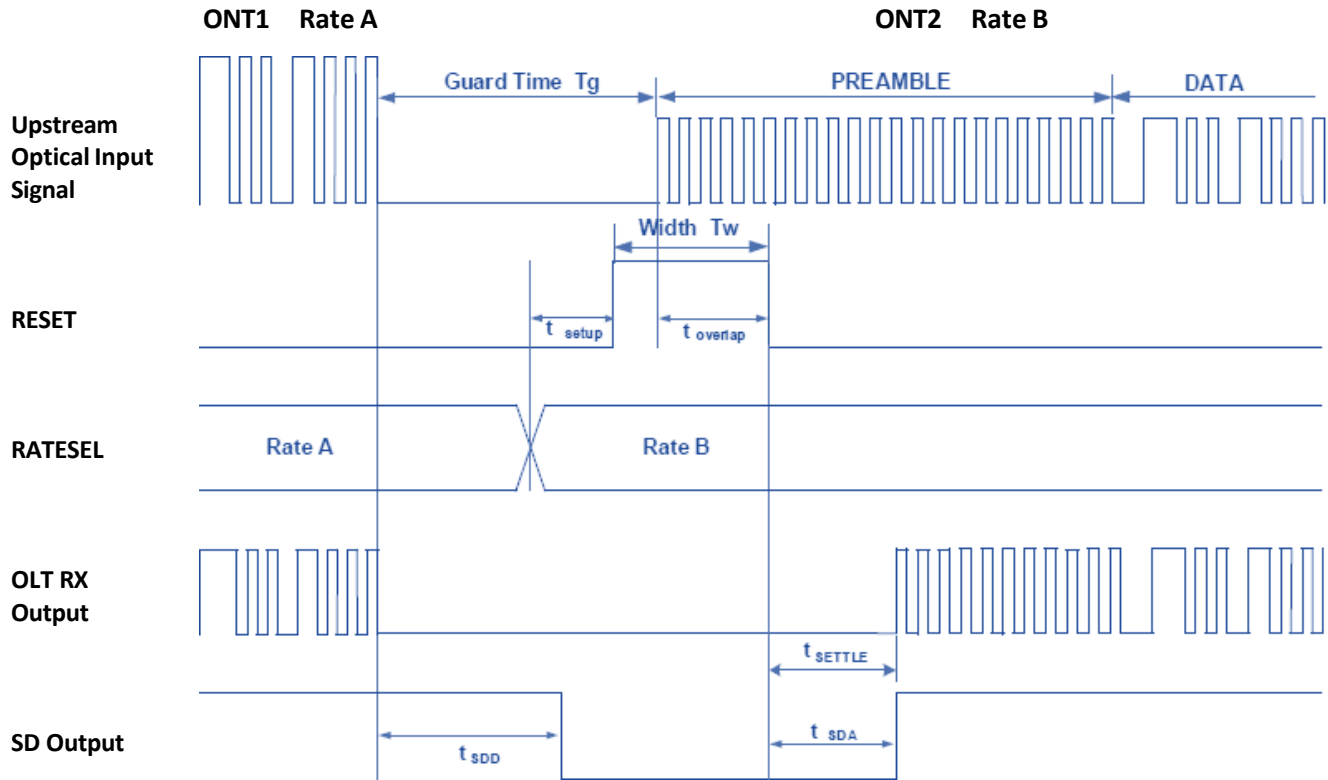
Upstream Timing

Parameter	Symbol	Min.	Typ.	Max.	Unit	Notes
Burst Receiver Settling Time	T_SETTLE			100	ns	
Burst Signal Detect Assert	T_SDA		25	100	ns	
Burst Signal Detect De-Assert	T_SDD		100		ns	1
Guard Time	Tg	51.4			ns	
Reset Pulse Width	Tw	25			ns	
Reset Time Overlapping Preamble	T_overlap	0			ns	2
Setup Time of Rate Level for Following Burst	T_setup	5			ns	

Notes:

1. Auto reset function is applied. Signal detect de-assert time is about 100ns forced by auto reset and will short to about 20ns with external Reset pulse.
2. Reset pulse is required to be partially inside the preamble.

Upstream Timing Diagram

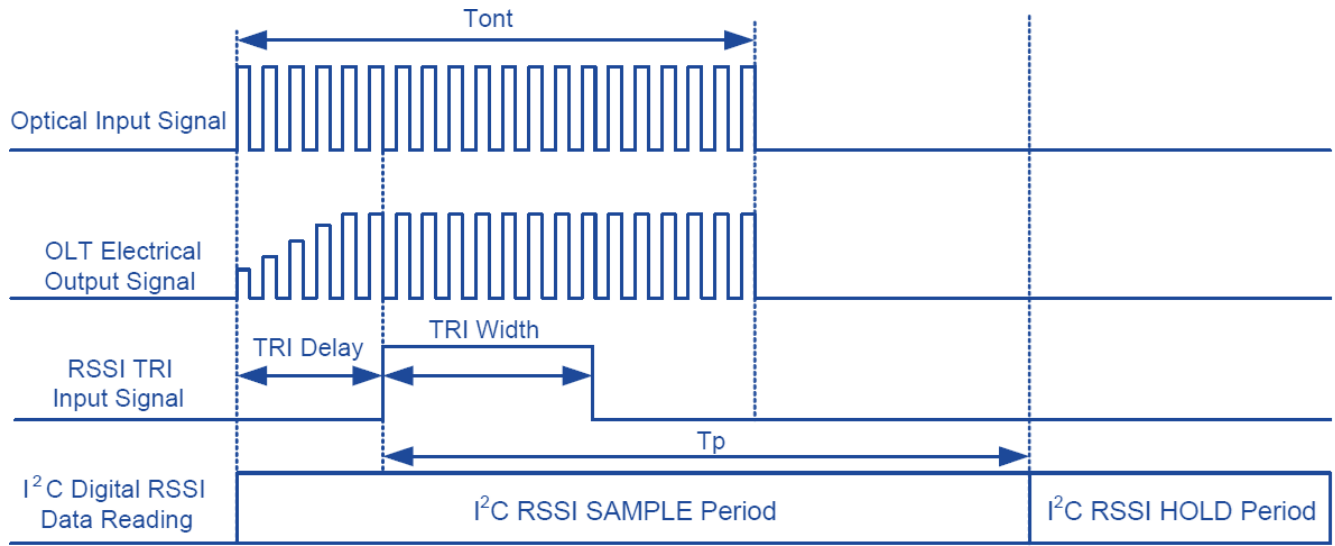


Digital RSSI Sample/Hold Timing

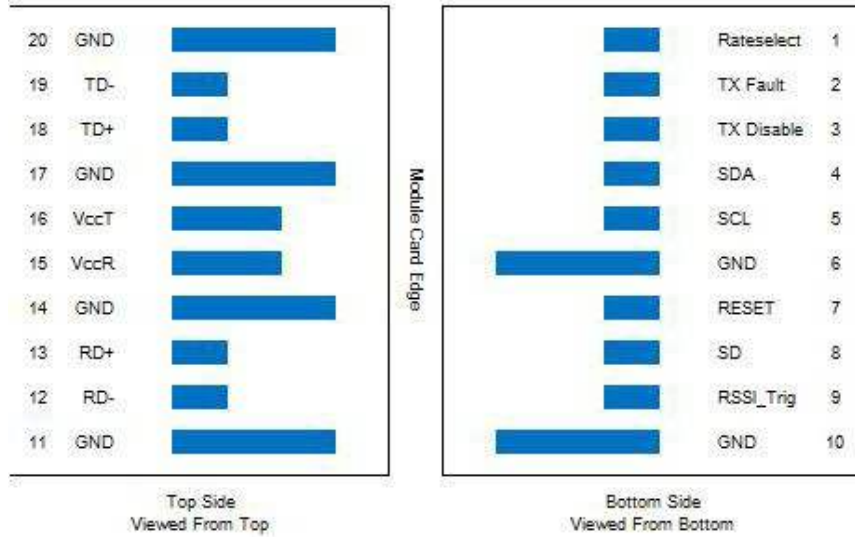
Parameter	Symbol	Min.	Typ.	Max.	Unit	Notes
I ² C Read Time	T_p	500			μ s	
Optical Input Signal Width	T_{ont}	300			ns	
RSSI Monitor Range	P_{mon}	-30		-7	dBm	
RSSI Precision	P_{rssi}	-3	+/-2	3	dB	
RSSI Trigger Delay	T_{tri} (TRI Delay)	0	300		ns	
RSSI Trigger Width	T_{i2c} (TRI Width)	500		$T_{ont} - T_{tri}$	ns	

Note: $T_{tri} + T_{i2c} < T_{ont}$.

Digital RSSI Sample/Hold Timing Diagram



Pin-Out Definitions



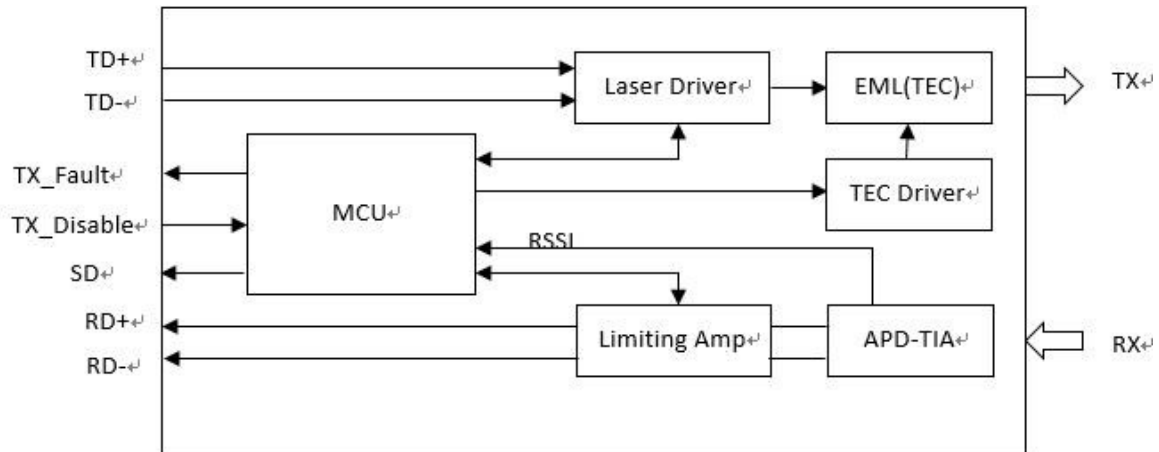
Pin Descriptions

Pin	Logic	Symbol	Description	Note
1	LVTTTL	Rate_Select	Rate Select.	1
2	LVTTTL	Tx_Fault	High Voltage: Tx Laser Fault or Safety. Low Voltage: Normal Operation.	
3	LVTTTL	Tx_Disable	Active "high" to disable laser.	
4		SDA	2-Wire Serial Interface SDA.	
5		SCL	2-Wire Serial Interface SCL.	
6		GND	Module Ground.	
7		Reset	Reset for TIA/LIA.	
8	LVTTTL	SD	"Logic 1" indicates normal operation.	
9	LVTTTL	RSSI_Trig	RSSI Trigger.	
10		GND	Module Ground.	
11		GND	Module Ground.	
12	LVCML	RD-	2.5/10G LVCML output with DC coupling.	
13	LVCML	RD+	2.5/10G LVCML output with DC coupling.	
14		GND	Module Ground.	
15		VccR	+3.3V Power Supply.	
16		VccT	+3.3V Power Supply.	
17		GND	Module Ground.	
18	LVCML	TD+	10G LVCML input with AC coupling.	
19	LVCML	TD-	10G LVCML input with AC coupling.	
20		GND	Module Ground.	

Notes:

1. Rate Select is high-speed when Pin 1 value is "high" and low-speed when Pin 1 value is "low."

Transceiver Block Diagram



Transmitter Section

Tx_Disable

Tx_Disable is an input pin that is used to shut down the XGSPON transmitter optical output at the same time. It is pulled up within the module with a 4.7k Ω to 10k Ω resistor. Its states are: low (0 – 0.8V) - transmitter on; (>0.8, < 2.0V) - undefined; high (2.0 – VCC) - transmitter disabled; open - transmitter disabled. The Tx_Disable signal is “high” (LVTTTL “logic 1”) to turn off the laser output. The laser will turn on when Tx_Disable is “low” (LVTTTL “logic 0”).

XGSPON TD+/-

XGSPON_TD+/- are the differential XGSPON transmitter inputs. They are AC-coupled, differential lines with 100 Ω differential termination inside the module. It allows a differential input swing of 120-850mV, 9.953Gbps data rate.

Receiver Section

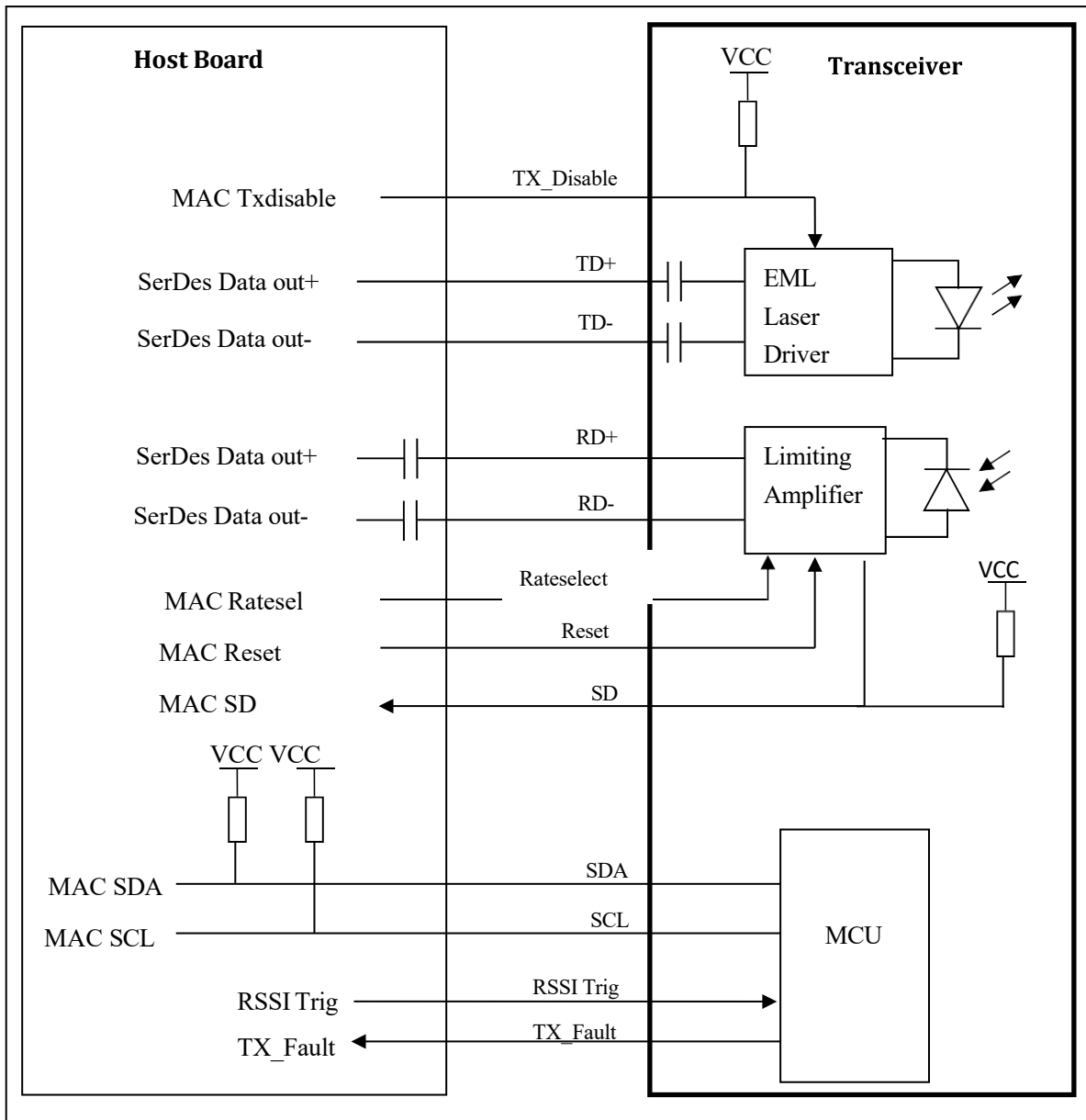
XGSPON_SD

SD (Signal Detect) is an open collector/drain output, which should be pulled up with a 4.7k Ω to 10k Ω resistor to a voltage between 2.4V and Vcc+0.3V. When “low,” this output indicates the received optical power is below the worst-case receiver sensitivity (as defined by the standard in use). “High” indicates normal operation. In the “low” state, the output will be pulled to < 0.4V.

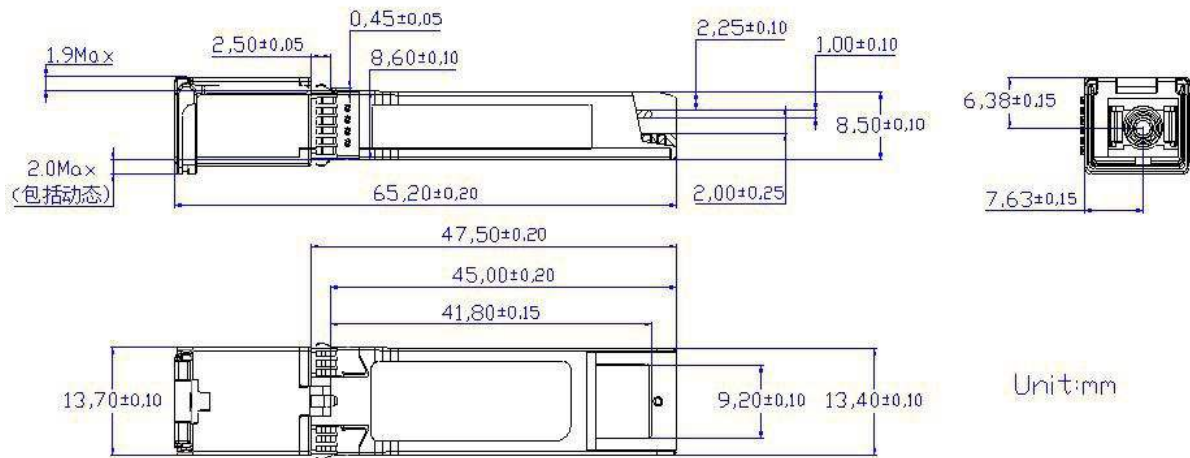
XGSPON RD+/-

These are the XGSPON differential receiver outputs. They are DC coupled 100 Ω differential lines which should be terminated with 100 Ω (differential) at the user SERDES. The AC coupling is done on the host board. The voltage swing on these lines will be between 400 and 800mV differential output when properly terminated.

Recommended Interface Circuit

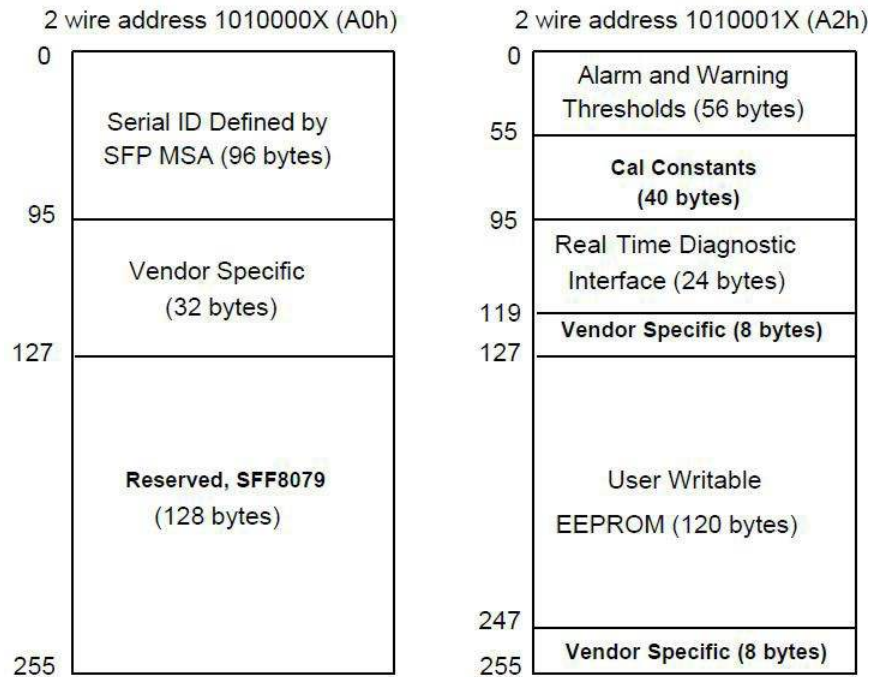


Mechanical Specifications



Digital Diagnostic Memory Map

Compatible with SFF-8472.



About ProLabs

Our experience comes as standard; for over 15 years ProLabs has delivered optical connectivity solutions that give our customers freedom and choice through our ability to provide seamless interoperability. At the heart of our company is the ability to provide state-of-the-art optical transport and connectivity solutions that are compatible with over 90 optical switching and transport platforms.

Complete Portfolio of Network Solutions

ProLabs is focused on innovations in optical transport and connectivity. The combination of our knowledge of optics and networking equipment enables ProLabs to be your single source for optical transport and connectivity solutions from 100Mb to 400G while providing innovative solutions that increase network efficiency. We provide the optical connectivity expertise that is compatible with and enhances your switching and transport equipment.

Trusted Partner

Customer service is our number one value. ProLabs has invested in people, labs and manufacturing capacity to ensure that you get immediate answers to your questions and compatible product when needed. With Engineering and Manufacturing offices in the U.K. and U.S. augmented by field offices throughout the U.S., U.K. and Asia, ProLabs is able to be our customers best advocate 24 hours a day.



Contact Information

ProLabs US

Email: sales@prolabs.com

Telephone: 952-852-0252

ProLabs UK

Email: salessupport@prolabs.com

Telephone: +44 1285 719 600