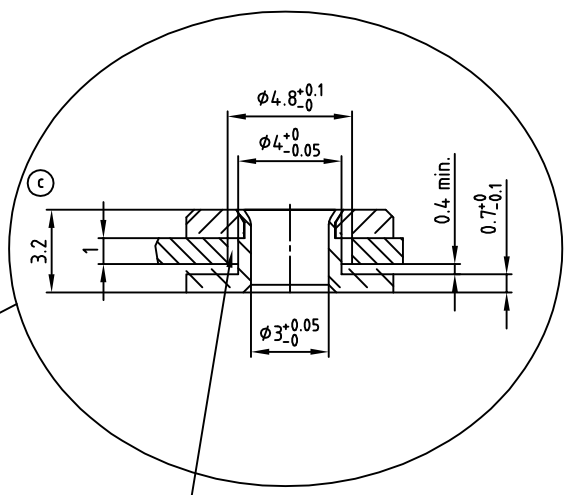
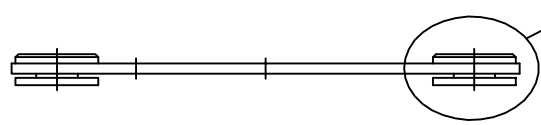
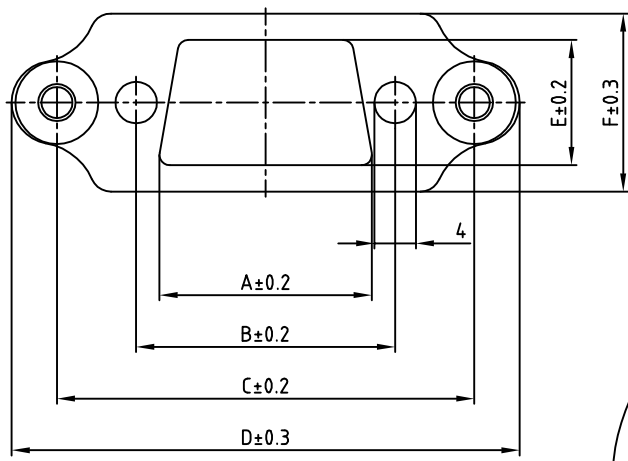


used for: D-SUB



the radius movement 0.8-0.95mm

No. of pos.	A ±0.2	B ±0.2	C ±0.2	D ±0.3	E ±0.2	F ±0.3	Part NO.
9	20.50	24.99	40.28	49.02	12.10	17.20	160X10889X
15	28.80	33.32	48.62	57.35	12.10	17.20	160X10899X
25	42.50	47.04	62.51	71.25	12.10	17.20	160X10909X
37	59.10	63.50	78.79	87.53	12.10	17.20	160X10919X
50	56.30	61.11	76.40	85.14	14.80	20.04	160X10929X

- ⓑ NOTES:
- FRAME
MATERIAL: STEEL
FINISH: NICKEL PLATED
 - FLOAT-BUSHING
MATERIAL: COPPER ALLOY
FINISH: NICKEL PLATED



APPROVAL # FREIGABE # DEBLOCAGE # AUTORIZACION # APPROVAL

CUSTOMER APPROVAL DATE:

NAME: TITLE:

COMPANY NAME:

APPROVAL # FREIGABE # DEBLOCAGE # AUTORIZACION # APPROVAL

THIS DRAWING MAY NOT BE COPIED OR REPRODUCED IN ANY WAY, AND MAY NOT BE PASSED ON TO A THIRD PARTY, WITHOUT WRITTEN PERMISSION.
OWNERSHIP AND COPYRIGHT OF CONEC GmbH
DO NOT ALTER CAD DRAWING BY HAND

rev.	description	date	name
1 x c	Ä344	31.08.09	Sonne
1 x b	Ä 2478	05.04.06	HS

tolerance dim. in mm

scale: 2:1 (5:1)
material: SEE NOTES

title: D-SUB FRAME WITH FLOAT MOUNT 9-50pos.

dwg no: AutoCAD 2000 DIN-A 3 sh: 1/1

part no: SEE TABLE

