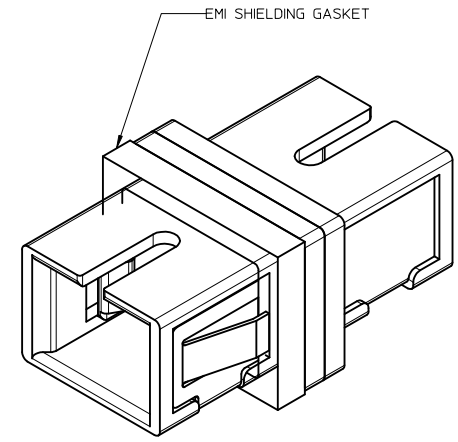


RECOMMENDED MOUNTING CUTOUT FOR .063" THICK PANEL



NOTES:

1. ALL DIMENSIONS ARE FOR REFERENCE ONLY.
2. DUST CAP IS NOT SHOWN, BUT INCLUDED.
3. ADAPTERS TO BE PACKAGED IN TRAY.

EC NO: MF2012-0307 DRAWING: DRWNEEFUNG 2011/12/20 CHKD: I GUMIN APPR: I GUMIN 2011/12/22	QUALITY SYMBOLS	GENERAL TOLERANCES (UNLESS SPECIFIED)	DIMENSION STYLE	SCALE	DESIGN UNITS	THIRD ANGLE PROJECTION
	▽=0 ▽=0	mm INCH 4 PLACES ± --- ±.0002 3 PLACES ± 0.005 ±.005 2 PLACES ± 0.13 ±.01 1 PLACE ± 0.25 ± --- ANGULAR ±1/2°	IN/MM	4:1	INCH	
			DRAWN BY DATE	TITLE		
			CHECKED BY DATE	SC METAL ADAPTER WITHOUT SHUTTER		
			APPROVED BY DATE	MOLEX MOLEX INCORPORATED		
			MATERIAL NO.	DOCUMENT NO.	SHEET NO.	
			1061162004	SD-106116-2004	1 OF 1	
		DRAFT WHERE APPLICABLE MUST REMAIN WITHIN DIMENSIONS	THIS DRAWING CONTAINS INFORMATION THAT IS PROPRIETARY TO MOLEX INCORPORATED AND SHOULD NOT BE USED WITHOUT WRITTEN PERMISSION			