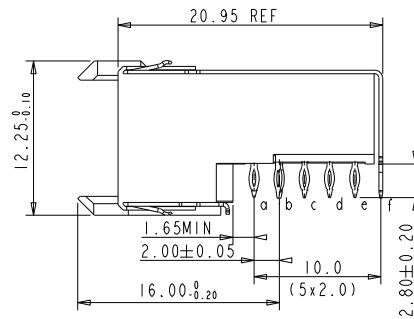
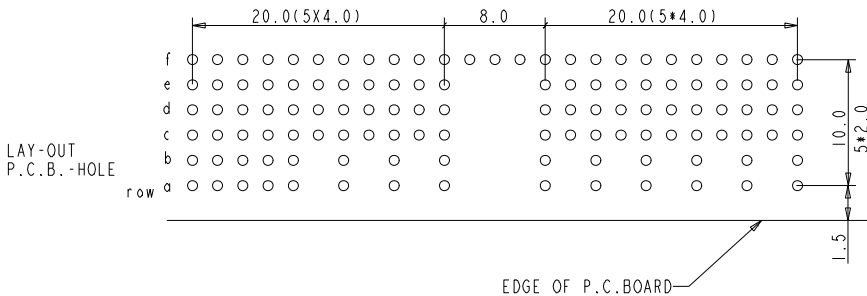
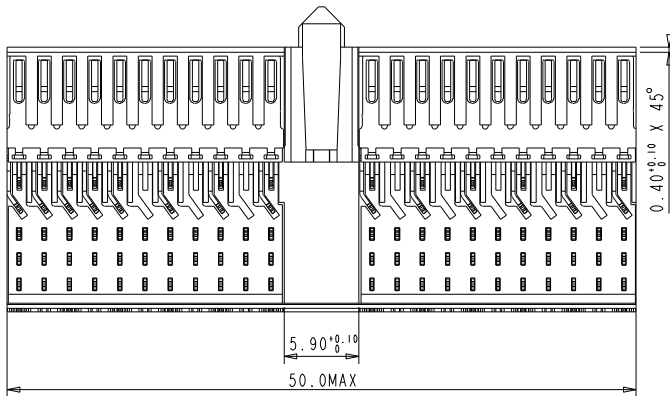


EMPTY CAVITY  
 CAVITY LOADED WITH CONTACT



**PERFORMANCE CHARACTERISTICS**

CURRENT RATING: 1.5 A AT 20°C (FULLY LOADED)  
 1 A AT 70°C (FULLY LOADED)  
 RATED VOLTAGE: 500 V AC (CONT /CONT)  
 OPERATING TEMPERATURE : -55°C TO 125°C  
 CONTACT RESISTANCE : 20 mΩ MAX  
 INSERTION FORCE: 0.75N MAX/CONT  
 EXTRACTION FORCE : 0.15N MIN /CONT  
 INSULATION RESISTANCE: 10<sup>4</sup> MΩ MIN

**NOTES**

- LEAD FREE INDICATOR : LF=LEAD FREE  
 1." " PERFORMANCE LEVEL INDICATOR (REF DWG NO.BSC .201844.003)  
 2. THIS PRODUCT IS CSA APPROVED. THIS PRODUCT IS UL RECOGNIZED.  
 3. FOR RECOMMENDED PTH DIMENSIONS REFER DRAWING :BS.A.201572.001  
 4. THIS PRODUCT (LF) MEETS EUROPEAN UNION DIRECTIVES AND OTHER COUNTRY REGULATIONS AS DESCRIBED IN GS-22-008

Material		Spec ref		
Mat code	Heatreat	tolerance	projection	MM
Plating/Finish		✓ IDEC ±0.2 IDEC 2DEC ±0.1 2DEC ANGLES ±1°HOEKEN		→
Dr M.Fret	26-07-02	size	Scale	
Eng		Product family MILLIPACS	AI	5.000
Chr		Model Name	ECN	DG05-0278
Appr		Model Revision	REL Level	
FCI TITLE: MPACS 5+IR RA RCP TYPE A LOADING PATTERN DWG NO: BSC202468036		Rev.	C	

rev	ecn no	dr	date
B	EC B20139	MF	020802
C	DG05-0278	Kozon	05-08-05
-	-	-	-
-	-	-	-
-	-	-	-