

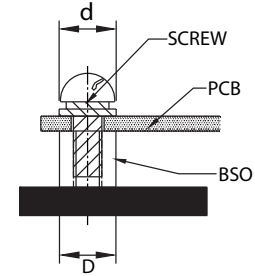
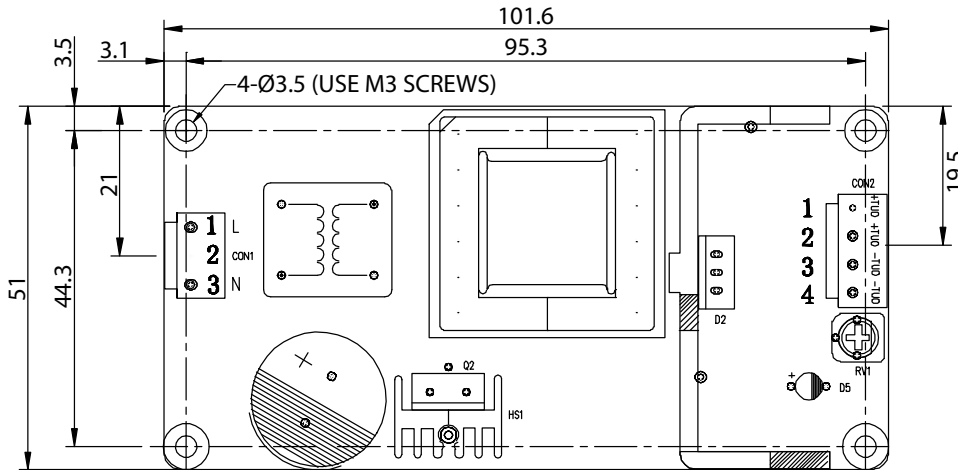
**Features:**

- Universal AC input/ Full range
- High Efficiency, Low Power Consumption
- Output Protections: OLP/OVP/SCP
- Wide operating ambient temperature (-20°C~65°C)
- No fan required, suitable for quiet environments
- All using 105°C long life electrolytic capacitors.
- 100% full load burn-in test

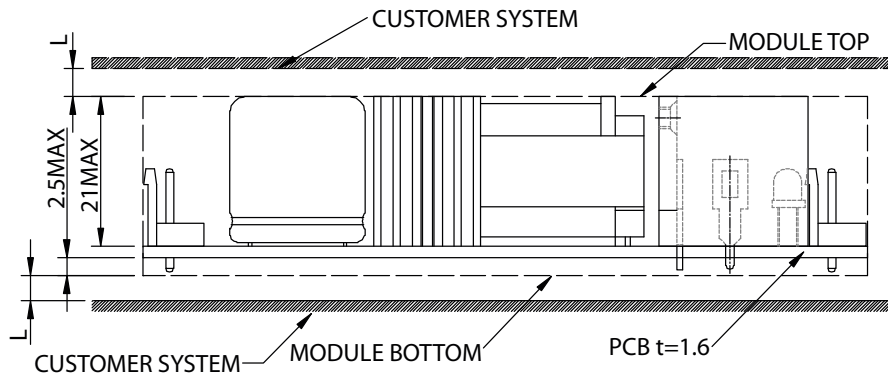


Model	QPS-35-5	QPS-35-12	QPS-35-13.5	QPS-35-15	QPS-35-24	QPS-35-36	QPS-35-48
<b>Output Characteristics</b>							
DC Output	5V	12V	13.5V	15V	24V	36V	48V
Rated Current	6.0A	3.0A	2.6A	2.4A	1.5A	1.0A	0.75A
Current Range (Note 1)	0~6.0A	0~3.0A	0~2.6A	0~2.4A	0~1.5A	0~1.0A	0~0.75A
Ripple and Noise (Note 2)	0~65°C	≤80mV	≤120mV	≤120mV	≤120mV	≤120mV	≤120mV
	-20~0°C	≤150mV	≤200mV	≤200mV	≤200mV	≤200mV	≤200mV
Voltage ADJ. Range	-5% ~ +10% of rated output voltage						
Voltage Accuracy	±1.0%						
Line Regulation	±0.5%						
Load Regulation	±1.0%						
Set-up Time	≤2.0s (115VAC input, full load) ≤1.0s (230VAC input, full load)						
Hold-up Time	≥10ms (115VAC input, full load) ≥20ms (230VAC input, full load)						
Temperature Coefficient	±0.03%/°C						
Overshoot and Undershoot	<5.0%						
<b>Input Characteristics</b>							
Voltage Range	90VAC~264VAC						
Frequency Range	47Hz-63Hz						
Efficiency (Typical) 220VAC Input	78%	81%	82%	83%	83%	84%	86%
AC Current (max)	<1.0A						
Inrush Current (Typical)	<23A@115VAC Cold start <45A@230VAC Cold start						
Leakage Current	Input-Output: <0.25mA Input-PG: <3.5mA						
<b>Protection</b>							
Over Load (OLP)	105%~180% of rated output current, hiccup mode, auto recovery						
Over Voltage (OVP)	5.75V~7.5V	13.8V~16.2V	15.5V~18.2V	17.25V~20.25V	27.6V~32.4V	41.4V~48.6V	55.2V~64.8V
	Protection Type: Constant Voltage, auto recovery						
Short Circuit (SCP)	Long-term mode, auto recovery						
<b>Environmental Characteristics</b>							
Operating Amb. Temp. & Hum	-20°C~65°C; 20%~90% RH Non-Condensing						
Storage Temp. & Hum	-30°C~85°C; 10%~95% RH Non-Condensing						
Safety Standards	UL60950-1; IEC60950; EN60950-1: 2006						
Withstand Voltage	Primary-Secondary: 3.0KVAC;≤10mA. Primary-PG: 1.5KVAC;≤10mA. Secondary-PG: 0.5KVDC;≤10mA						
Isolation Resistance	≥100M ohms						
EMI Conduction & Radiation	Compliance to EN55022 (CISPR22)Class B						
EMS Immunity	Compliance to EN61000-4-2, 3, 4, 5, 6, 8, 11; ENV50204, light industry level, criteria A						
<b>General Characteristics</b>							
MTBF (MIL-HDBK-217F)	More than 200,000Hrs (35°C, Full load)						
Dimension (LxWxH)	101.6x50.8x24mm						
Packing	60PCS/CTN. G.W: 11.0kgs						
Cooling Method	Cooling by free air convection						
Note	<ol style="list-style-type: none"> <li>1. All parameters NOT specially mentioned are measured at rated input, rated load, and 25°C of ambient temperature</li> <li>2. Measured at 20MHz of bandwidth by using a 12" Twisted pair wire terminated with a 0.1uF &amp; 47uF parallel capacitor</li> <li>3. The SPS is considered a component which will be installed into final equipment. The equipment must be re-confirmed that it still meets EMC directives.</li> </ol>						

## MECHANICAL SPECIFICATIONS



PLEASE USE M3 SCREWS  
WASHER  $d \leq 7\text{mm}$  AND  $D \leq 7\text{mm}$

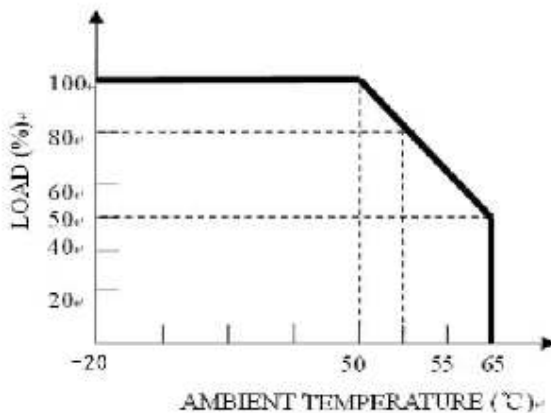


THE DISTANCE BETWEEN CUSTOMER PLATE AND TOP OF THE POWER SUPPLY  $L \geq 4\text{mm}$ ; IF  $L \leq 4\text{mm}$ , ISOLATION FILM OR MYLAR WILL BE NEEDED

INSTALLATION SCREW TORQUE:  $\leq 6.0\text{Kg}\cdot\text{cm}$

ITEM	CONNECTOR	MATING HOUSING	TERMINAL
AC IN (CON1)	LANDWIN 3961P0300T (CENTER PIN REMOVED)	LANDWIN 3960S OR JST VHR	LANDWIN 3963T011R OR JST SVH-21T-P1.1
DC OUT (CON2)	LANDWIN 3961P0800T	OR MOLEX 51144	OR MOLEX 50539

## DERATING CURVE



### AC CONNECTION

CON1	Pin No.	Assignment	Specs
	1	AC-L	
2			
3	AC-N		

### DC CONNECTION

CON2	Pin No.	Assignment	Specs
	1,2	DC output +V	
3,4	DC output -V		

UNIT: mm