

1-Position, Positive Lock Connector**1 極ポジティブロック・コネクタ**

Contents

First 10 pages following this top sheet : English version
Next 8 pages : Japanese version

When only one of above versions is supplied to customers, this top sheet shall be attached.

目次

このシートに続く最初の 10 ページ : 英語版
次の 8 ページ : 日本語版

カスタマーに英語または日本語版の片方のみを提出する場合は、このトップシートが必ず添付されなければならない。

Revision Record (改訂記録)

Revision Letter (改訂記号)	EC number (改訂記録番号)	Date (日付)
E1	FJ00-1164-00	07 JUL 2000

Outline of the latest revision (最新改訂の概要)

Combine two language versions into one document. No change was made on product specification.

2ヶ国語の文書を一括管理とした。仕様内容に変更なし。

108-5113

Customer Release
AMP SECURITY CLASSIFICATION

108-5113

Product Specification

1-Position, Positive Lock Connector

1. Scope:

This specification covers general requirements for product performance and test methods of 1-position, positive lock connector.

2. Product Part Numbers and Nomenclature:

This product line consists of the following members of terminating components.

Part Numbers	Product Descriptions
170234-1 170234-2	Positive Lock Receptacle Contact
170233-1 170233-2	Positive Lock Receptacle Contact
171809	1-Position, Positive Lock Housing

3. Definition of Terms:

The terms used in this specification shall be defined as follows.

3.1 Contact: A contact is an electrically conductive member of component used in a connector assembly.

3.2 Housing: A housing is an electrically insulating member of component used in a connector assembly.

3.3 Connector: A connector is an assembly of a housing and contacts, properly arranged to fit for terminating functions. Usually, contact positions are fully filled with wire-crimped contacts.

4. Materials and Finish:

4.1 Contact: Contacts are made of brass conforming to Alloy No. 260 of ASTM B36. Either plain or post tinned products are available, depending upon the part type used.

4.2 Housing: Housings are made of molded 6/6 NYLON resin.

E1	Revised FJ00-1164-00	KS	1/18	7/9/00					
E	Revised FJ00-0882-93	SO	20						
D	Revised RFA-1959	KF	27	3/13	DR	<i>Y. Yamamoto</i>	78		
C1	Revised RFA-1481	<i>Y. Yamamoto</i>	<i>Y. Yamamoto</i>	1-24	CHK	<i>Y. Yamamoto</i>	78		
C	Revised per RFA-427	<i>Y. Yamamoto</i>	<i>Y. Yamamoto</i>	1-20	APR	<i>Y. Yamamoto</i>	1-11-78		
B	Revised per RFA-373								
A	Revised per RFA-335 & Translated			1-11			78		
LTR	REVISION RECORD	DR	CHK	DATE	SHEET		NAME	Product Specification	
					1 OF 10		1-Pos. Positive Lock Connector		

AMP Tyco Electronics AMP K.K. Kawasaki, Japan

LOC	NO	REV
J A	108-5113	E1

5. Product Construction, Feature and Dimensions:

5.1 Receptacle Contacts:

Product construction, feature and dimensions shall be conforming to the applicable customer product drawing(s). Receptacle contacts shall have proper construction to fit for wire termination encapsulated in housing after wire crimping, and secured in the cavity by means of locking device and function as a female contact. When mated with counterpart tab contact, locking detent on the contact hooks up to assure stable connection. To release locking, pulling to separate the connector halves will suffice the action. Locking detent acts in effect when the contacts are pulled by lead wires at crimped barrels.

5.2 Housing:

Product construction, feature and dimensions shall be conforming to the applicable customer product drawing(s). The detent lock device provided on the bottom of housing cavities catches in the contact slot to retain the contact in position. When to remove the contact from housing cavity, apply force to bend the bottom of housing so that the detent is unlocked and contact can be removed by pulling it by hand.

6. Rating:

6.1 Temperature Rating:

Temperature rating of the product shall be within -40 thru + 105°C, including ambient temperature and temperature rising by the effect of energized electric load.

6.2 Applicable Wires to Be Used:


To this product application, the wires conforming to JIS C 3406, Low-Voltage Cables for Automobile, of the specified sizes must be used.

Wire Size	Part Nos.	154718-1 170233-1	170234-1
Wire Size mm ² Conductor(AWG)	—	0.5 - 2.0 (#20 - #14)	3.0 - 5.0 (#12 - #10)
Insulation Diameter mm	—	2.2 - 3.1	3.8 - 4.9

7. Performance Characteristics and Test Methods:

7.1 Performance:

When tested in accordance with the test method specified in Para. 7.2, in the sequence specified in Para. 7.3, the products shall be conforming to the requirements specified in Table 1.

SHEET		 Tyco Electronics AMP K.K. Kawasaki, Japan			
2 OF 10					LOC
		J	A	108-5113	E1
NAME Product Specification					
1-Pos. Positive Lock Connector					

108-5113
 NUMBER
 Customer Release
 AMP SECURITY CLASSIFICATION

Test Items	Para-graph	Initial Performance Requirements	Performance Requirements After Physical and Environmental Test Conditioning	
Appearance	7.2.1	No evidence of defects such as cracks, breakage, damages, rattling and loose of parts, rust, void and fusion that are detrimental to connector functions shall be present.		
Connector Insertion Force	7.2.2	-1 5.9 - 39 N (0.5 - 4.0 kgf)	Mating/Unmating Commonly applied	
Connector Extraction Force	7.2.3	-2 4.9 - 44 N (0.5 - 4.5 kgf)	" " "	
Termination Resistance	7.2.4	All the values must not exceed 3mV/A.	All the values must not exceed 6 mV/A.	
Handling Touch of Contacts at Insertion and Extraction	7.2.5	No abnormal touch shall be perceived that results pain in assembly operator's hand.		
Insulation Resistance	7.2.6	The tested value shall be not less than 100MΩ.		
Dielectric Strength	7.2.7	No evidence of dielectric break-down or flashover shall be present after applying 1,800V AC for 1 minute.		
Contact Retention Force in Housing	7.2.8	The contact retention force shall be not less than 39 N (4kgf)		
Contact Locking Retention Force	7.2.9	The contact locking retention force shall be not less than 98 N (10 kgf)		
Crimp Tensile Strength	7.2.10	Crimp tensile strength shall be not less than the values shown below.		
		(Min.)		
			N	(kgf)
		0.5 mm ² (#16AWG)	88	9.0
		0.85mm ² (#18AWG)	127	13.0
		1.25mm ² (#16AWG)	167	17.0
		2.0mm ² (#14AWG)	245	25.0
3.0mm ² (#12AWG)	343	35.0		
5.0mm ² (#10AWG)	343	35.0		
Vibration, High Frequency	7.2.11	//		
Physical Shock	7.2.12			
Thermal Shock	7.2.13			
Salt Spray	7.2.14			

Table 1

SHEET		AMP Tyoo Electronics AMP K.K. Kawasaki, Japan		
3 OF 10		LOG	NO	REV
		J	A	E
		108-5113		
NAME Product Specification				
1-Pos. Positive Lock Connector				

7.2 Test Methods:

7.2.1 Appearance:

Inspect the product visually and tactually for conformance of product drawing(s), and check for presence of abnormalities such as cracks, breakage, damages, rattling and loose of parts, rust, voids, fusion and deformation that are detrimental to connector functions.

7.2.2 Connector Insertion Force:

Fasten one of a mating pair of connectors on the head of tensile testing machine and apply an axial load to insert the counterpart connector assembly by operating the head to travel with the speed at a rate of 100mm a minute.

7.2.3 Connector Extraction Force:

Fasten one of the mated pair of connectors on the head of tensile testing machine and apply an axial pull off load to unmate the connector halves by operating the head to travel with the speed at a rate of 100mm a minutes. The force required to unmate the connectors without locking devices set in effect shall be measured and recorded.

7.2.4 Termination Resistance:

Termination resistance is obtained by measurement of millivolt drop between the probing points across wire termination by applying test current of 1 A at open circuit voltage of 12V DC. Measurement shall be done after temperature rising of circuit becomes stabilized by probing at the point 75mm apart from the wire termination in the circuit. (Across Y and Y' in Fig. 1) Termination resistance shall be calculated from the millivolt drop reading, after deducting the wire resistance of a 75mm long crimped wire.

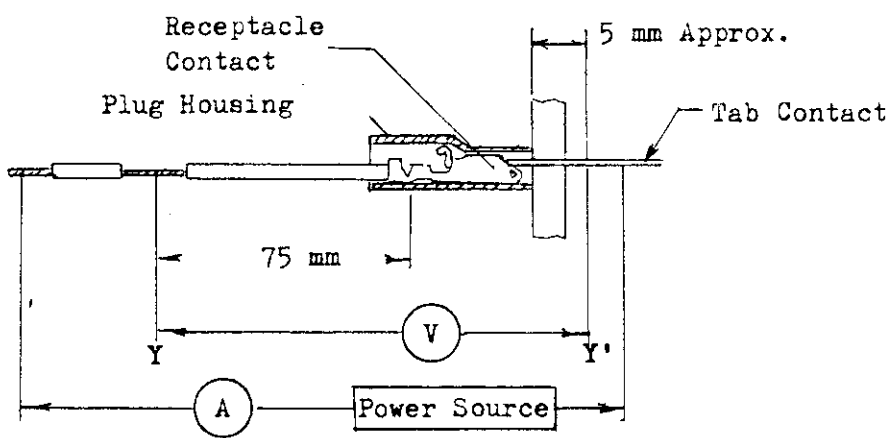


Fig. 1

SHEET		AMP Tyco Electronics AMP K.K. Kawasaki, Japan		
4 OF 10	LOC J	NO A	108-5113	REV E ₁
NAME Product Specification				
1-Pos. Positive Lock Connector				

7.2.5 Handling Touch of Contact at Insertion and Extraction:

Manually repeat insertion and extraction of contacts in the manner as performed in production assembly work, and tactually confirm that no abnormal touch is felt that causes excessive fatigue or physical pains at assembly.

7.2.6 Insulation Resistance:

Mated pair of connector assemblies shall be tested by applying test potential between the contacts and the ground after the connectors are wrapped with metallic foil as shown in Fig. 2. Potential intensity shall be 500V DC.

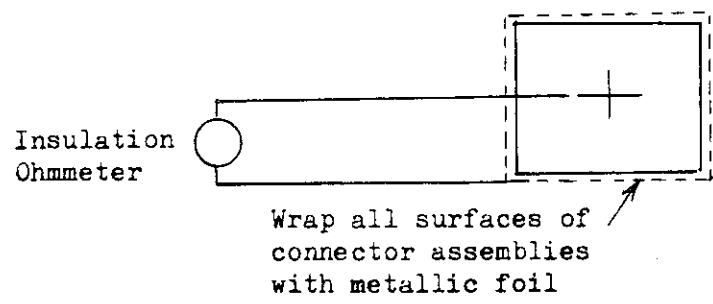


Fig. 2

7.2.7 Dielectric Strength:

Mated pair of connector assemblies shall be tested by applying test potential of 1,800V AC of commercial frequencies for 1 minute between the contacts and the ground.

7.2.8 Contact Retention Force:

An approximately 100 mm long, 0.85mm² wire crimped contact shall be loaded in connector cavity position and secured by setting locking device in effect. The connector assembly shall be fastened on the tensile testing machine, and apply an axial pull-off load to the crimped wire end by operating the head to travel with the speed at a rate of 100mm a minute uniformly. Contact retention force is determined when the contact is dislodged from the loaded position.

7.2.9 Contact Locking Retention Force:

Have a pair of connector housings filled with contacts that are crimped with approximately 100 long 0.85mm² or greater size wire, and mate them with locking device set in effect. Fasten tab contact side of the connectors onto the head of tensile testing machine, and apply an axial pull-off load to the counterpart connector to unmate by operating the head to travel with the speed at a rate of 100mm a minute uniformly. Contact locking retention force is determined when the connector halves are separated by disengagement or breakage of contact locking device.

SHEET	AMP Tyco Electronics AMP K.K. Kawasaki, Japan			
5 OF 10	LOC J	A	NO 108-5113	REV. E1
NAME Product Specification				
1-Pos. Positive Lock Connector				

7.2.10 Crimp Tensile Strength:

Fasten an approximately 100mm long wire crimped contact onto the head of tensile testing machine, and apply an axial pull-off load to the wire by operating the head to travel with the speed at a rate of 100mm a minute. Crimp tensile strength is determined when the wire is broken or is pulled out of the wire crimp.

7.2.11 Vibration, High Frequency:

Mated pair of connector assemblies shall be fastened on the vibration testing table with all the contact cavities filled with wire-crimped contacts which are series-wired and energized with the test current of 3A at open circuit voltage of 12V DC as shown in Fig. 3. The testing table shall be vibrated with accelerated velocity of 44m/s^2 (4.5G) in reciprocating sweeping frequencies to travel from 20 to 200Hz. at a rate of one cycle a minute. Vibration shall be applied in three axial directions of connector assemblies for 8 hours each direction. While testing the test circuit shall be monitored by appropriate measuring apparatus for the loss of electrical continuity greater than $1\ \mu\text{second}$. The sensitivity of loss detector shall be provided to detect millivolt drop of 1V/A in the circuit.

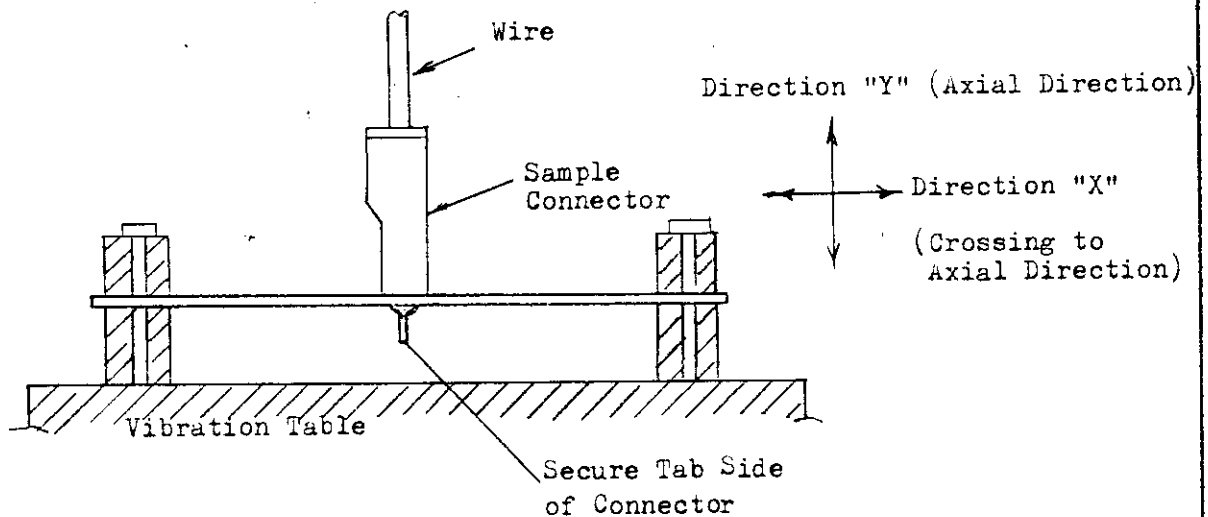


Fig 3

7.2.12 Vibration Low Frequency:

Contact-loaded and mated pair of connector assemblies shall be tested by using vibration testing machine conforming to SAE J577 after mounting the connectors with all the contacts series-wired as shown in Fig. 3. Vibration shall be such that shaken by rotating cam drop to vibrate 3.2mm in 12.5Hz given to the vibration testing plate whose free end is supported by spring tension of 265-314 N (27-32 kgf) in "X" and "Y" directions as indicated in Fig. 3 for 1 hour each direction respectively. While vibrating, the circuit is energized with closed circuit test current of 1A at open circuit voltage of 12V, and monitored for the loss of electrical continuity greater than $1\ \mu\text{second}$ taking place in the circuit. Discontinuity indication level shall be adjusted to sense millivolt drop of 1V/A in the circuit.

SHEET	AMP Tyco Electronics AMP K.K. Kawasaki, Japan		
6 OF 10	LOC J	NO A	NO 108-5113
NAME	Product Specification		
	1-Pos. Positive Lock Connector		

7.2.13 Thermal Shock:

Mated pair of connector assemblies shall be exposed under 5 cycles of test temperature variation as specified in Table 2 below. After completion of test duration, the sample connectors shall be removed from the oven and reconditioned in the room temperature before performing the further tests as specified.

Test Sequence	Test Conditions	Duration
1	Exposed under elevated temperature at $105 \pm 5^{\circ}\text{C}$	30 minutes
2	Reconditioned in the room temperature	5 minutes max.
3	Exposed under cold temperature at $-40 \pm 5^{\circ}\text{C}$	30 minutes
4	Reconditioned in the room temperature	5 minutes max.
One rotation of the sequence makes 1 cycle.		

Table 2

7.2.14 Salt Spray:

Mated pair of connector assemblies shall be tested in accordance with JIS-C-5028 for 2 cycles of 1 hour exposure with 1 hour off load interval taken between the cycles. After completion of test duration, sample connector shall be removed from the test chamber, and rinsed in the tap water and dried in the room temperature for 1 hour, before performing the further tests as specified.

7.3 Test Sequence:

All the tests shall be conducted in accordance with the test sequence as specified in Table 3.

SHEET	AMP Tyco Electronics AMP K.K. Kawasaki, Japan		
7 OF 10	LOC J	NO A	REV E
NAME		108-5113	
Product Specification			
1-Pos. Positive Lock Connector			

103-5113
 Release
 CLASSIFICATION

Test Items	Sample Groups	Test Sequence					
		I	II				III
Appearance		1					
Connector Insertion Force		2					
Connector Extraction Force		4					
Termination Resistance		3				10	
Handling Touch of Contacts at Insertion and Extraction		7				11	
Insulation Resistance		5					
Dielectric Strength		6					
Contact Locking Retention Force		8				12	
Contact Retention Force		9					
Crimp Tensile Strength							1
Vibration, High Frequencies			3				
Vibration, Low Frequencies				5			
Thermal Shock					7		
Salt Spray						9	

Table 3

8. Quality Assurance Provisions:

8.1 Test Conditions:


All the tests shall be conducted in any combination of the following test conditions, unless otherwise specified.

Temperature 15 - 35°C
 Relative Humidity: 45 - 75%
 Atmospheric Pressure: 86.7 - 107kPa
 (650 - 800mmHg)

8.2 Tests:

8.2.1 Test Specimens:

All the test specimens to be used for the tests shall be prepared in accordance with AMP Application Specifications, 114-5032, Crimping Positive Lock Receptacle (Domestic Products) and 114-5032, Crimping Positive Lock Receptacle, by using the wires of the sizes specified in Table 4. Test specimens used for this evaluation should not have Bend-up, down, twist, rolling of more than 5 degrees. Unless otherwise specified no sample shall be reused.

SHEET		 Tyco Electronics AMP K.K. Kawasaki, Japan			
8 OF 10					LOC
		J	A	103-5113	E1
NAME		Product Specification			
		1-Pos. Positive Lock Connector			

8.2.2 Number of Test Specimens:

Number of test specimens shall be not less than 10 sets per each sample group.

8.2.3 Applicable Tab Contacts:

Tab contact used for the tests shall be conforming to the specified drawing shown in Fig. 4. However, for testing insertion/extraction force of -2 receptacle (tin-plated), tin-plated brass tab shall be used.

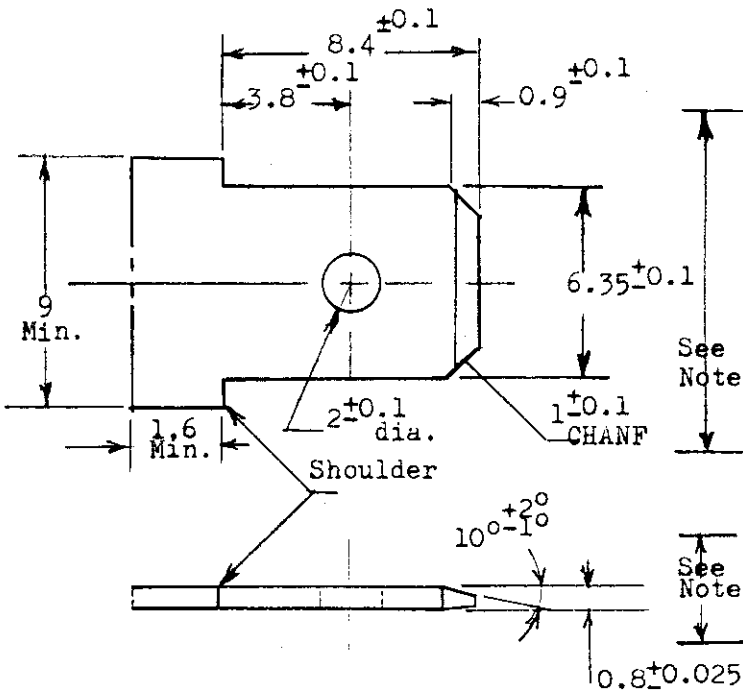


Fig. 4-1

When to mate with bare contact tab, tip end of receptacle contact must be bottomed at tab shoulder.

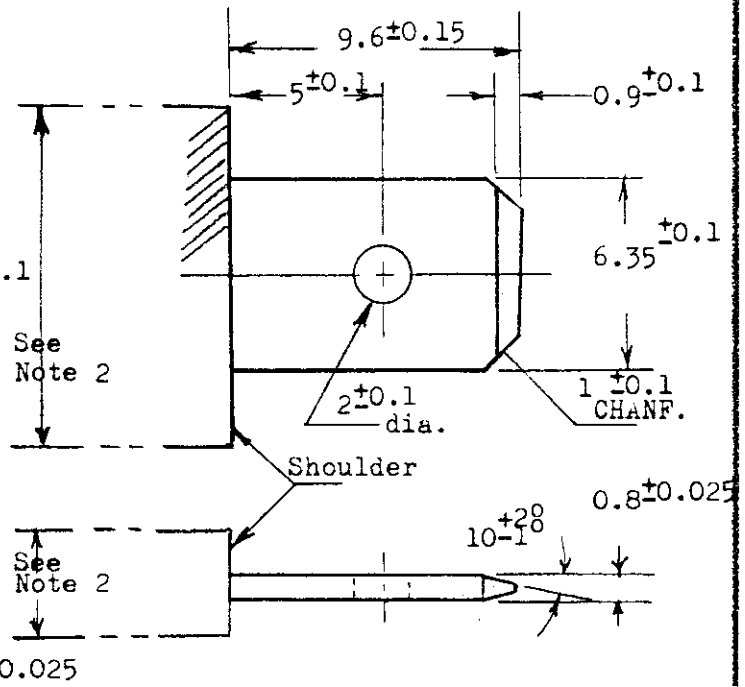


Fig. 4-2

When to mate with plastics molded contact tab, receptacle must be bottomed on the surface of molded tab shoulder as shown.

- Note: (1) Refer to AMP Customer Product Drawing 116-5070 for fabrication of tab conforming to this specification.
 (2) Thickness of molded plastic shoulder must be 9mm min. in width, and 5.4mm min. in tab thickness direction.

SHEET		AMP Tyco Electronics AMP K.K. Kawasaki, Japan	
9 OF 10	LOC J A	NO 108-5113	REV E1
NAME Product Specification			
1-Pos. Positive Lock Connector			

8.2.4 Applicable Wire Specification:

For preparation of test specimens, the wires conforming to Table 4 must be used.

Wire Size		Strand Composition		Cross-sectional Area	
Nominal mm ²	(AWG)	Diameter of Strand (mm)	Number of Strands	mm ²	CMA
0.85	(#18)	0.32	11	0.88	1,746
1.25	(#16)	0.32	16	1.28	2,540
2.0	(#14)	0.32	26	2.09	4,128
3.0	(#12)	0.32	41	3.30	6,509
5.0	(#10)	0.32	65	5.23	10,319

Table 4

9. Applicable Documents:

- JASO 7002 Automotive Multipole Connector
- JASO 7101 Test Methods for Molded Plastic Parts
- JIS C 3406 Low Voltage Cable for Automobiles
- JIS D 0204 Method of Moisture, Rain and Spray Test for Automobile Parts
- JIS D 1601 Vibratile Testing Method for Automobile Parts
- JIS D 5500 Lighting and Signalling Equipment for Automobiles
- JIS C 5028 Salt Mist Testing Method for Electronic Component Parts
- SAE J 577 Vibration Test Machine

- 114-5029 AMP Application Specification, Crimping Positive Lock Receptacle Contacts
- 114-5032 Ditto, (Applicable to Domestically Manufactured Products)

SHEET		AMP Tyco Electronics AMP K.K. Kawasaki, Japan			
10	OF 10	LOC	A	NO	108-5113
		J			REV. E
NAME Product Specification					
1-Pos. Positive Lock Connector					

一般顧客用
管理基準

社内標準

(製造標準)



製品規格

108-5113

1極 ポジティブ ロック・コネクタ

1. 適用範囲

本規格は タコエレクトロニクス(株)で製造されるポジティブ ロック・コネクタについて規定する。

2. 製品の型番及び名称

型番	名称
170234-1 170234-2	ポジティブロック・リセブタクル
170233-1 170233-2	ポジティブロック・リセブタクル
171809	1極 ポジティブロック・ハウジング

3. 用語の説明

本規格に適用する用語の意味は次の通りとする。

- 3.1 コンタクト： コネクタの構成部品である接触子をいう。
- 3.2 ハウジング： コネクタの構成部品であるコンタクトを収容するものをいう。
- 3.3 コネクタ： 電線を圧着したコンタクトをハウジングにアッセンブリしたものをいう。

4. 使用材料、表面処理

- 4.1 コンタクト： ASTM B36 ALLOY 260 に準拠する黄銅を母材とする。
後処理による錫メッキが施された製品もある。
- 4.2 ハウジング： 66 ナイロン樹脂により製造される。

E	Revised FJ00-0882-93	S.O	KO	1/21/77				
D	Revised RFA-1959	K.F	XJ	2/18/77	EI	改訂 FJ00-1164-00	KS	1/27/77
C	改訂 RFA-427			1/22/77	作成：		分類：	製品規格
B	改訂 RFA-373			2/17/77				
A	改訂 RFA-335			2/17/77	検閲：	MENDO MOTO 1/11/77	コード：	108-5113
O	制定 RFA-305			1/7/77	承認：		改訂	EI
改訂	改訂記録	作成	検閲	承認	年月日	承認：	名称：	1極ポジティブロック・コネクタ
昭和52年1月17日制定				1頁				
				8頁中				

5. 構造, 形状及び寸法

- 5.1 リセプタクル: 構造, 形状及び寸法は該当する図面に合致していること。
電線に圧着された後, ハウジングに収容されて使用されるメスコンタクトで, 嵌合相手タブコンタクトと固定保持できるロッキング機構を有する。
ロッキング機構を解除するには, ハウジングを持って引抜けが良い。ロッキング機構は電線が引ばられた時に作用する構造となっている。
- 5.2 ハウジング: 構造, 形状及び寸法は該当する図面に合致していること。
底部にある突起がリセプタクルのスロットにロックし固定保持される。もしリセプタクルをハウジングから抜き出す時には, ハウジング底部を曲げ拡げると, ロックが外れる。

6. 使用条件

6.1 使用温度範囲

-40° ~ 105° C (周囲温度 + 通電による温度上昇)

6.2 適用電線範囲 (JIS-C-3406, 自動車用低圧電線)

電線	型番	170233-1	170234-1
			170233-2
電線サイズ (mm)		0.5~2	3~5
被覆外径 (mm)		2.2~3.1	3.8~4.9

7. 性能及び試験方法

7.1 性能

才7.2項「試験方法」及び才7.3項「試験順序」に基づき試験した結果, 才1表の性能を満足すること。

分類:

製品規格

標準の名称:

1極ポジティブロック・コネクタ

標準のコード:

108-5113

改訂

E1

2/頁
8

項目	試験方法	初期性能		環境試験後の性能
外観	7.2.1	亀裂, 割損, 破損, がた, 部品のはずれ, 錆び, 溶解等で機能を損う欠点のないこと		
コネクタ挿入力	7.2.2	-1	5.9-39N(0.5-4.5kgf)	(挿入引抜共通)
コネクタ引抜力	7.2.3	-2	4.9-44N(0.6-4.0kgf)	(" " " ")
総合抵抗	7.2.4	3 mV / A 以下		6 mV / A 以下
挿抜のフィーリング	7.2.5	有害な引掛り等のないこと。		
絶縁抵抗	7.2.6	100 M Ω 以上		
耐電圧	7.2.7	AC 1,800 V, 1分間にて異常なきこと。		
コンタクト保持力	7.2.8	39 N (4kgf) 以上		
コンタクトロック強度	7.2.9	98 N (10kgf) 以上		
圧着部引張強度 (Min.)	7.2.10	mm ²	N	(kgf)
		0.5	88	(9.0) 以上
		0.85	127	(13.0) "
		1.25	167	(17.0) "
		2.0	245	(25.0) "
		3.0	343	(35.0) "
5.0	343	(35.0) "	——//——	
高周波振動	7.2.11	——//—— 才3表に示す順序で試験を行ったとき, 性能を満足すること。		
耐衝撃性	7.2.12			
熱衝撃	7.2.13			
塩水噴霧	7.2.14			

才 1 表

7.2 試験方法

7.2.1 外観

外観を目視および触覚により観察し, 有害な亀裂, 割損, 破損, がた, 部品のはずれ, 錆, 溶解, および変形等の有無を確認する。

7.2.2 コネクタ挿入力

コンタクトまたはコネクタの一方を固定し, 他方を軸方向に毎分約 100 mm の一定速度で操作する。

7.2.3 コネクタ引抜力

コンタクトまたはコネクタの一方を固定し, 他方を軸方向に毎分約 100 mm の一定速度で操作する。なお, コンタクトのロック機構は作用させないで行なう。

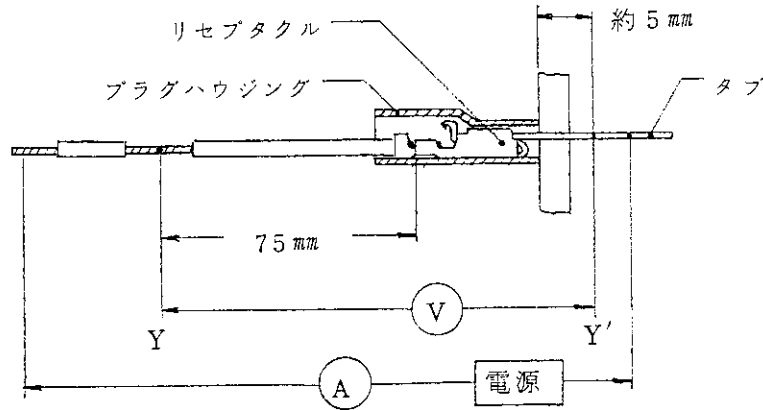
分類:	標準の名称:	標準のコード:	改訂	
製品規格	1 級ポジティブロック・コネクタ	108-5113	E1	3/頁 8

7.2.4 総合抵抗

コンタクトまたはコネクタを嵌合した状態で、開放電圧DC 12V、短絡電流1Aを通電し、端子の温度が安定した後圧着部より75mm離れた点で電圧降下を測定する。

(オ1図のY-Y'間)

総合抵抗はY-Y'間の電圧降下から75mmの電線の電圧降下を差引いて算出する。



オ 1 図

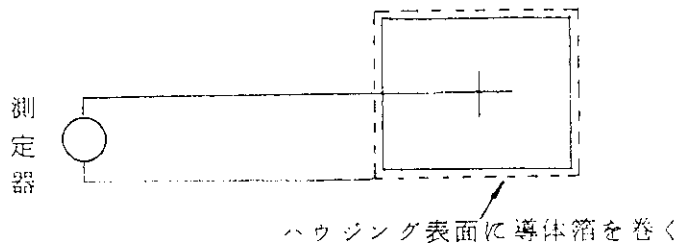
7.2.5 挿抜のフィーリング

コンタクトまたはコネクタの挿入、引抜きを手動にて行ない、そのフィーリングを触感にて確認する。

7.2.6 絶縁抵抗

コネクタを嵌合した状態でオ2図の如くコンタクト対アース間を測定する。

なお、測定電圧はDC 500Vとする。



コンタクト対アース間

オ 2 図

分類： 製品規格	標準の名称： 1極ポジティブロック・コネクタ	標準のコード： 108-5113	改訂 E1	4/頁 8
-------------	---------------------------	---------------------	----------	----------

7.2.7 耐電圧

コネクタを嵌合した状態で才2図の如くコンタクト対アース間に商用周波数のAC 1,800Vを1分間印加する。

7.2.8 コンタクト保持力

ハウジングに約100mmの長さ、 0.85mm^2 以上の断面積の電線を圧着したコンタクトが組込まれたコネクタを固定し、電線を軸方向へ毎分約100mmの一定速度で引張り、コンタクトがハウジングから抜けた時の荷重を測定する。

7.2.9 コンタクトロック強度

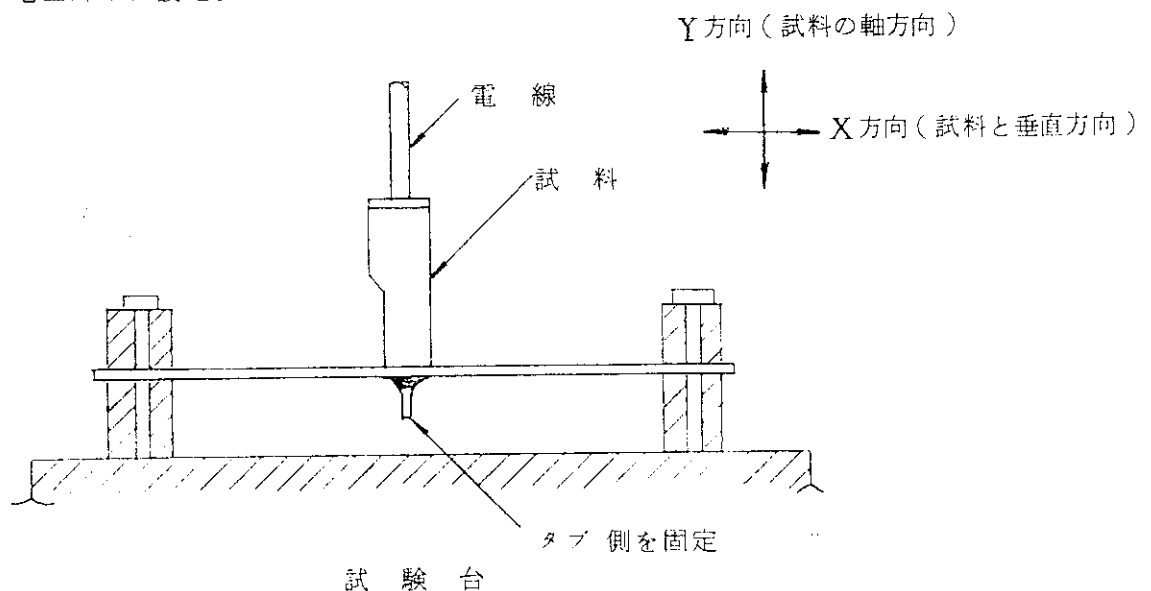
ハウジングに約100mmの長さ、 0.85mm^2 以上の断面積の電線を圧着したコンタクトが組込まれたコネクタを嵌合し、ロック機構の作用した状態でタブ側を固定し、電線を軸方向に毎分約100mmの一定速度で引張り、ロック機構の外れ又は破損して嵌合の外れた時の荷重を測定する。

7.2.10 圧着部引張強度

約100mmの長さの電線を圧着したコンタクトを固定し、電線を軸方向に毎分約100mmの一定速度で引張り、電線の破断または圧着部から電線の引抜けた時の荷重を測定する。

7.2.11 高周波振動

コネクタを嵌合、全極直列に接続し、開放電圧DC 12V、短絡電流1Aを通電した状態で才3図の如く振動試験機に取付ける。振動加速度は 44m/s^2 (4.5G)振動周波数は20~200Hzを往復1分間でスイープさせる。これをX、Y方向各8時間行ない、 $1\mu\text{sec.}$ 以上の瞬断の有無を観察する。瞬断の検知レベルは1V/Aの電圧降下に設定。



才3図

分類:	標準の名称:	標準のコード:	改訂	5/頁
製品規格	1極ポジティブロック・コネクタ	108 5113	E1	8

7.2.12 耐衝撃性

コネクタを嵌合、全極直列に接続し、開放電圧 DC 12V、短絡電流 1A を通電した状態で才 3 図の如く SAE J 577 による試験装置に取付け、振動数 12.5 Hz、カム落下 3.2 mm、衝撃台の端でのスプリング張力 $\frac{265-314\text{N}}{(27-32\text{kgf})}$ で X、Y 方向各 1 時間行ない、1 μ sec 以上の瞬断の有無を確認する。瞬断の検知レベルは 1V/A の電圧降下に設定。

7.2.13 熱衝撃

コネクタを嵌合した状態で才 2 表に示す試験を 1 サイクルとして、これを 5 サイクル行なった後、室温に戻る迄放置する。

試験順序	試験方法
1	105 ± 5°C 0.5 時間
2	室温 5 分以内
3	-40 ± 5°C 0.5 時間
4	室温 5 分以内

才 2 表

7.2.14 塩水噴霧

コネクタを嵌合した状態で JIS-C-5028 に基づいて 24 時間噴霧、1 時間休止、24 時間噴霧後、水洗し室温にて 1 時間乾燥する。

7.3 試験順序

試験順序は才 3 表に示すグループ毎の順序に従って行なうものとする。

区 分 項目	グループ	試験順序						
		I	II					III
外 観		1	1					
コネクタ挿入力		2						
コネクタ引抜力		4						
総合抵抗		3	2	4	6	8	10	
挿抜のフィーリング		7					11	
絶縁抵抗		5						
耐電圧		6						
コンタクトロック強度		8					12	
コンタクト保持力		9						
圧着部引張強度								1
高周波振動			3					
耐衝撃性				5				
熱衝撃					7			
塩水噴霧						9		

才 3 表

分類： 製品規格	標準の名称： 1 極ポジティブロック・コネクタ	標準のコード： 108-5113	改訂 E1	6/頁 8
-------------	----------------------------	---------------------	----------	----------

8. 品質保証条件

8.1 試験条件

特に指定のない場合は下記に示す環境条件のもとで性能試験を行なうものとする。

温度	15 ~ 35°C
相対湿度	45 ~ 75 %
気圧	86.7 - 107kPa (650 - 800mmHg)

8.2 試験

8.2.1 試験料

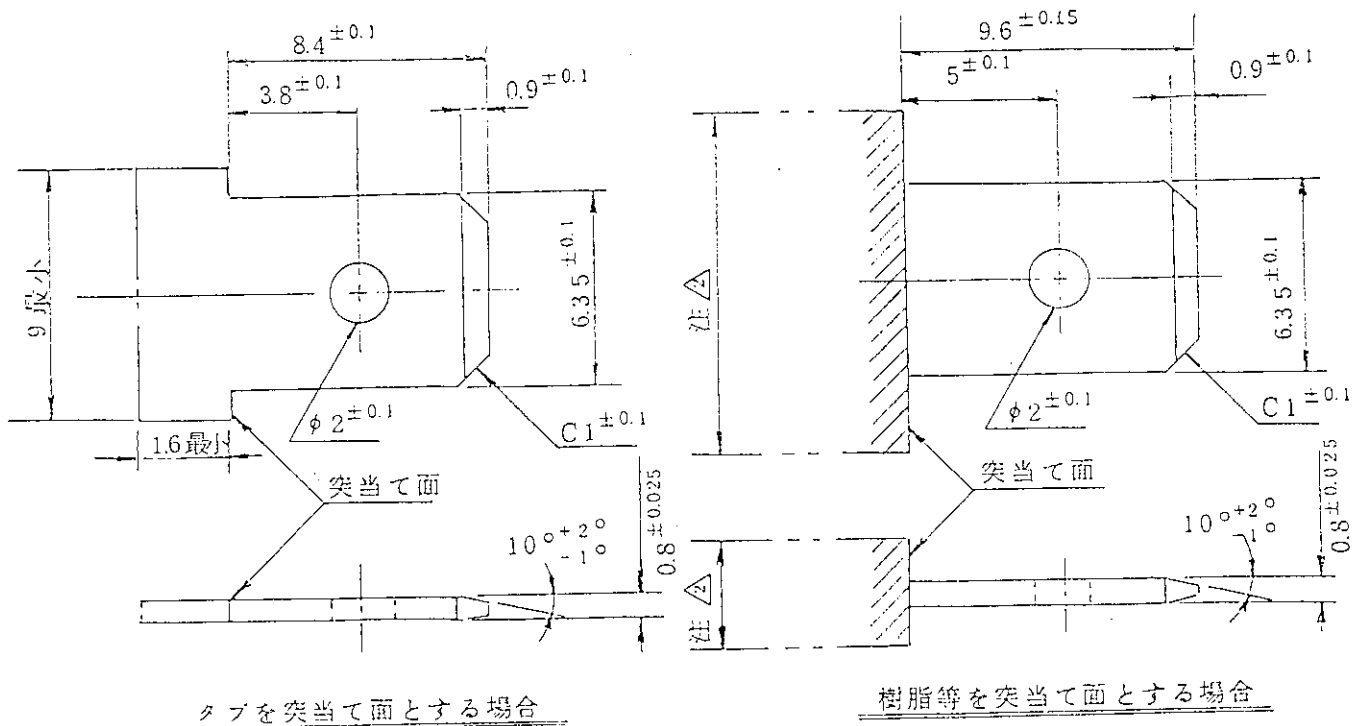
性能試験に用いる試験料は第5表に示す電線に「ポジティブロック・リセプタクル（国産品）取付適用規格114-5032」又は「ポジティブロック・リセプタクル圧着仕様書114-5029」に基づいて圧着した正規の試験料であること。但し、評価に使用する試験料は、全てベンドアップダウン、ツイスト、ローリングは、±5°以内とする。いずれの試験料も規定された順序以外の他の試験に用いてはならない。

8.2.2 試験料数

性能試験に用いる試験料数は各グループ毎に10セット以上とする。

8.2.3 相手タブ

性能試験に使用する相手タブは才4図に示す寸法のものを使用するものとする。但し-2（錫めっき付）リセプタクルの性能試験には錫めっき済黄銅製材料を使用すること。



才 4 図

- 注： 1. 本タブの製作の際には図面番号116-5070を参照のこと。
 △ タブの中方向で9mm最小又はタブの厚み方向で5.4mm最小の寸法が必要。

分類： 製品規格	標準の名称： 1種 ポジティブロック・コネクタ	標準のコード： 108-5113	改訂 E1	7/5頁
----------	-------------------------	------------------	-------	------

8.2.4 使用電線

性能試験に用いる電線は才4表に示す電線にて行なうものとする。

電線サイズ		素線構成		断面積	
呼び (mm ²)	AWG	素線径 (mm)	素線数	mm ²	CMA
0.5	#20	0.32	7	0.51	1111
0.85	#18	0.32	11	0.88	1746
1.25	#16	0.32	16	1.28	2540
2	#14	0.32	26	2.09	4128
3	#12	0.32	41	3.30	6509
5	#10	0.32	65	5.23	10319

才4表

9. 取扱い上の注意事項

9.1 圧着及び取扱い

ハウジングとコンタクトの保持性能及びコネクタの接触性能を維持するため、コンタクトの圧着は「ポジティブロック・リセブタクル(国産品)取付適用規格114-5032」又は「ポジティブ・ロック・リセブタクル圧着仕様書114-5029の規定に基づいて作業を行なうこと。

10. 参考規格

JASO D605-74 (7002)	:	「自動車用多極コネクタ」
JASO 7101	:	「プラスチック成形部品の試験方法」
JIS C 3406	:	「自動車用低圧電線」
JIS D 0204	:	「自動車部品の高湿および低温試験方法」
JIS D 1601	:	「自動車部品振動試験方法」
JIS D 5500	:	「自動車用ランプ類」
JIS C 5028	:	「電子機器部品の塩水噴霧試験方法」