

FLT-CP-PLUS-3S-350


Order No.: 2882640



<http://eshop.phoenixcontact.de/phoenix/treeViewClick.do?UID=2882640>

Pluggable lighting current arrester, in acc. with type 1/class I/B for 3-phase power supply networks with combined PE and N (L1, L2, L3, PE, N).



| Commercial data | |
|--------------------------|--|
| GTIN (EAN) |  4 046356 098243 |
| sales group | J010 |
| Pack | 1 pcs. |
| Customs tariff | 85363010 |
| Catalog page information | Page 16 (TT-2011) |

Product notes

WEEE/RoHS-compliant since:
05/09/2006



<http://www.download.phoenixcontact.com>
Please note that the data given here has been taken from the online catalog. For comprehensive information and data, please refer to the user documentation. The General Terms and Conditions of Use apply to Internet downloads.

Technical data

Standards

| | |
|------------------------------------|------|
| Housing material | PBT |
| Inflammability class acc. to UL 94 | V0 |
| Color | gray |

| | |
|--|---|
| Standards for air and creepage distances | EN 60664-1 |
| | IEC 60664-1: 1992-10 |
| | IEC 61643-11 |
| Degree of protection | IP20 |
| Mounting type | DIN rail: 35 mm |
| Design | DIN rail module, two-section, divisible |
| Number of positions | 4 |
| Ambient temperature (operation) | -40 °C ... 80 °C |
| Message: Surge protection fault | Optical, remote indicator contact |
| Direction of action | 3L-N & N-PE |
| Width | 142.80 mm |
| Height | 71.50 mm |
| Length | 97.00 mm |
| Pitch unit | 8 Div. |

Protective circuit

| | |
|--|--|
| IEC category | I |
| | T1 |
| EN type | T1 |
| Lightning protection class | I /100 kA (TT, TN-C-S) |
| Nominal voltage U_N | 240 V AC (230/400 V AC ... 240/415 V AC) |
| Arrester rated voltage U_C (L-N) | 350 V AC |
| Arrester rated voltage U_C (N-PE) | 350 V AC |
| U_T (TOV-proof) | 415 V AC (5 s) |
| | 1200 V AC (200 ms / N-PE) |
| Nominal frequency f_N | 50 Hz (60 Hz) |
| Nominal load current I_L | 125 A ($\leq 55^\circ\text{C}$) |
| Ground conductor current I_{PE} | $\leq 5 \mu\text{A}$ |
| Standby power consumption P_c | $\leq 5 \text{ mVA}$ |
| Nominal discharge surge current I_n (8/20) μs (L-N) | 25 kA |
| Nominal discharge surge current I_n (8/20) μs (N-PE) | 100 kA |
| Lightning test current (10/350) μs , charge | 50 As |
| Lightning test current (10/350) μs , specific energy | 2.50 MJ/ Ω |
| Lightning test current (10/350) μs , peak value I_{imp} | 100 kA |
| Lightning test current (10/350) μs , charge | 12.5 As |

| | |
|--|---|
| Lightning test current (10/350) μ s, specific energy | 160.00 kJ/ Ω (L-N) |
| Lightning test current (10/350) μ s, peak value I_{imp} | 25 kA (per channel L-N) |
| Impulse operate voltage at 6 kV (1.2/50) μ s (N-PE) | \leq 1.5 kV |
| Protection level U_p (L-N) | \leq 1.5 kV |
| Protection level U_p (L-PE) | \leq 2.5 kV |
| Protection level U_p (N-PE) | \leq 1.5 kV |
| Response time (L-N) | \leq 100 ns |
| Response time (L-PE) | \leq 100 ns |
| Response time (N-PE) | \leq 100 ns |
| Max. required backup fuse with branch wiring | 315 A (gL/gG) |
| Max. required backup fuse with V-type through wiring | 125 A (gL/gG) |
| Recommended backup fuse maximum | 160 A (gL/gG, 125 A with serial through wiring) |
| Short-circuit resistance I_p with max. backup fuse (effective) | 50 kA |
| Short-circuit current self-quenching | 100 A (effective (N-PE)) |
| Follow current quenching capacity I_f (L-N) | 50 kA (264 V AC) |
| | 25 kA (350 V AC) |
| Follow current quenching capacity I_f (N-PE) | 100 A |

Connection, protective circuit

| | |
|--|--------------------------------|
| Connection method | Screw terminal blocks |
| Connection type IN | Biconnect screw terminal block |
| Connection type OUT | Biconnect screw terminal block |
| Connection method | Biconnect terminal block |
| Screw thread | M5 |
| Tightening torque | 4.5 Nm |
| Stripping length | 18 mm |
| Conductor cross section stranded min. | 2.5 mm ² |
| Conductor cross section stranded max. | 25 mm ² |
| Conductor cross section solid min. | 2.5 mm ² |
| Conductor cross section solid max. | 35 mm ² |
| Conductor cross section AWG/kcmil min. | 13 |
| Conductor cross section AWG/kcmil max | 2 |

Remote indicator contact

| | |
|-----------------|--------------------------------|
| Connection name | Remote fault indicator contact |
|-----------------|--------------------------------|

| | |
|---|---------------------------------------|
| Switching function | PDT contact |
| Connection method | Plug-in/screw connection via COMBICON |
| Screw thread | M2 |
| Tightening torque | 0.25 Nm |
| Stripping length | 7 mm |
| Conductor cross section stranded min. | 0.14 mm ² |
| Conductor cross section stranded max. | 1.5 mm ² |
| Conductor cross section solid min. | 0.14 mm ² |
| Conductor cross section solid max. | 1.5 mm ² |
| Conductor cross section AWG/kcmil min. | 28 |
| Conductor cross section AWG/kcmil max | 16 |
| Maximum operating voltage U _{max} AC | 250 V AC |
| Maximum operating voltage U _{max} DC | 125 V DC |
| Max. operating current I _{max} | 1 A AC (inductive) |
| | 1 A AC (ohmic) |
| | 30 mA DC (inductive) |
| | 200 mA DC (ohmic) |
| Min. permissible switching capacity | 0.12 VA (12 V, 10 mA) |

Standards

| | |
|-----------------------|----------------------|
| Standards/regulations | IEC 61643-1 2005 |
| | EN 61643-11 2002 |
| | EN 61643-11/A11 2007 |
| | UL 1449 ed. 2 |

Certificates / Approvals



Certification

CUL, GOST, UL

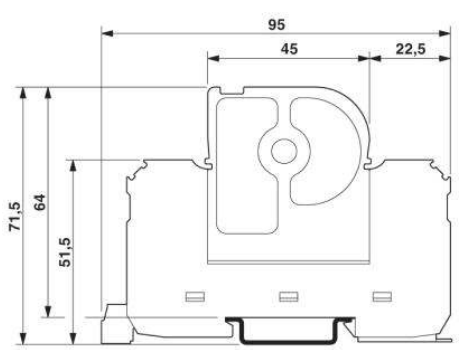
Accessories

| Item | Designation | Description |
|----------------|--------------------|---|
| General | | |
| 2859686 | FLT-CP-N/PE-350-ST | Type 1 / Class I / B arrester (lightning arrester) replacement plug for path N-PE, can be combined with FLASHTRAB compact series of products. |
| 2859913 | FLT-CP-PLUS-350-ST | Type 1 / Class I / B arrester (lightning arrester) replacement plug for paths L-N and L-PEN, can be combined with FLASHTRAB compact series of products. |

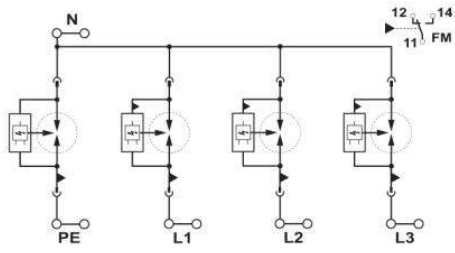
| Marking | | |
|----------------|----------------------|--|
| 1051993 | B-STIFT | Marker pen, for manual labeling of unprinted Zack strips, smear-proof and waterproof, line thickness 0.5 mm |
| 2749589 | ZBN 18,LGS:ERDE | Marking labels, printed horizontally, strips with 5 labels, GND (grounding symbol), color: White |
| 2749576 | ZBN 18,LGS:L1-N,ERDE | Marker labels, printed horizontally, strips with 5 labels, L1, L2, L3, N, GND, color: white |
| 0800763 | ZBN 18:SO/CMS | Marker labels, 5-section, special printing, labeled according to customer requirements (Please specify the required marking with order), for terminal width: 17.5 mm, color: White |
| 2809128 | ZBN 18:UNBEDRUCKT | Unprinted marker labels, strips with 5 labels for individual labeling with M-PEN or CMS system, for terminal block width: 17.5 mm, color: White |

Diagrams/Drawings

Dimensioned drawing



Circuit diagram



Address

PHOENIX CONTACT Inc., USA
586 Fulling Mill Road
Middletown, PA 17057, USA
Phone (800) 888-7388
Fax (717) 944-1625
<http://www.phoenixcon.com>



© 2011 Phoenix Contact
Technical modifications reserved;