

CTLFPP2R5GF Series

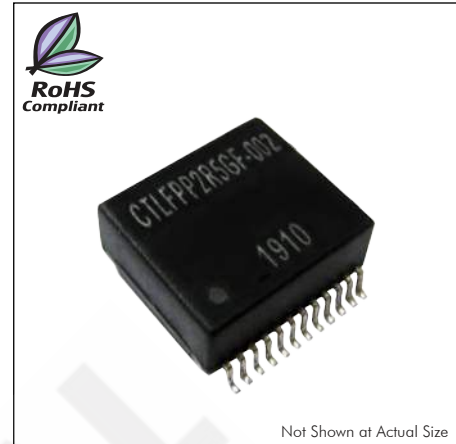
CHARACTERISTICS

Description: 2.5G Base-T, PoE & PoE+, 24 pin SMD

Operating Temperature: 0°C to 70°C

Features:

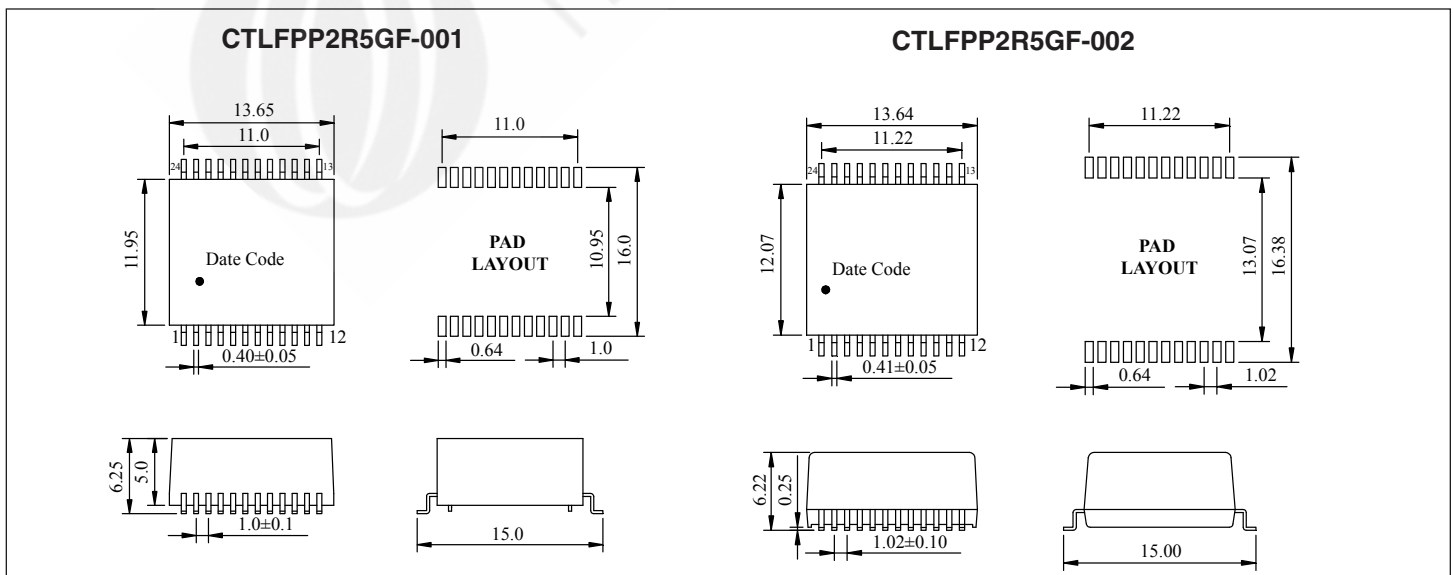
- Designed for long haul Gigabit Ethernet 2.5G Base-T, full duplex applications
- Supports 4 pairs of category 5 UTP cable
- Cable interface for isolation and low common mode emissions
- Compliant with IEEE 802.3an standard
- Meet IEEE 802.3af standards with 350mA
- Meet IEEE 802.3at standards with 720mA



SPECIFICATIONS

| Part Number | Insertion Loss (dB Max.) | | Return Loss (dB Min. @100Ω) | | Common to Differential Mode Rejection (dB Typ.) | Crosstalk (dB Typ.) | Common to Mode Rejection (dB Typ.) | PoE Current | Hipot (Vrms Min.) |
|-----------------|--------------------------|------------|-----------------------------|--------------------|---|---------------------|------------------------------------|-------------|-------------------|
| | 1-50 MHz | 50-125 MHz | 1-40 MHz | 40-200 MHz | 10-125 MHz | 1-125 MHz | 30-200 MHz | | |
| CTLFPP2R5GF-001 | -0.5 | -1.0 | -20 | -20+15log(f/40MHz) | -45+f/35 | -39 | -30 | 350mA | 1500 |
| CTLFPP2R5GF-002 | -0.5 | -1.0 | -20 | -20+15log(f/40MHz) | -45+f/35 | -39 | -30 | 720mA | 1500 |

PHYSICAL DIMENSIONS & PAD LAYOUT

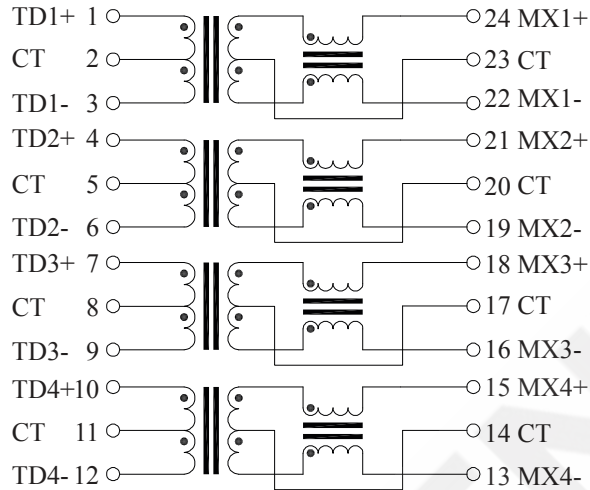


Unit: mm Unless otherwise specified, all tolerances are ±0.25

CTLFPP2R5GF

SCHEMATICS

CTLFPP2R5GF-001



CTLFPP2R5GF-002

