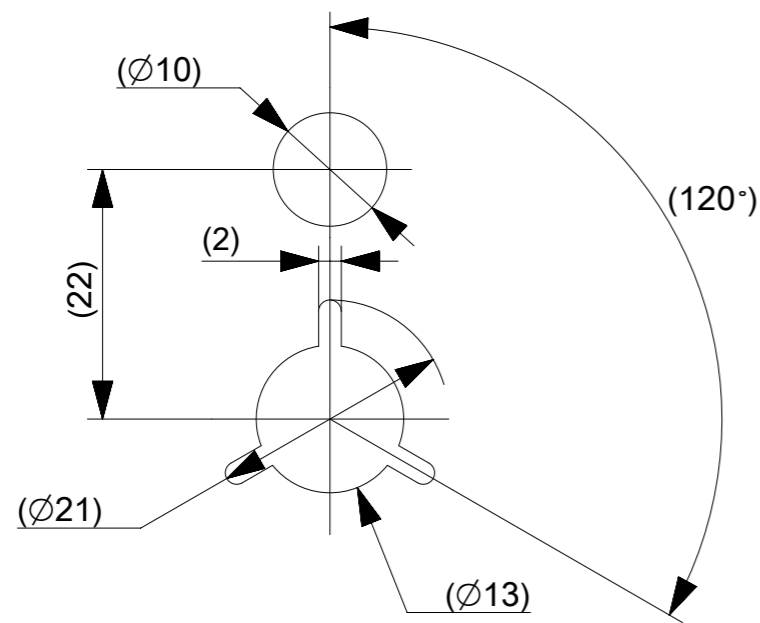
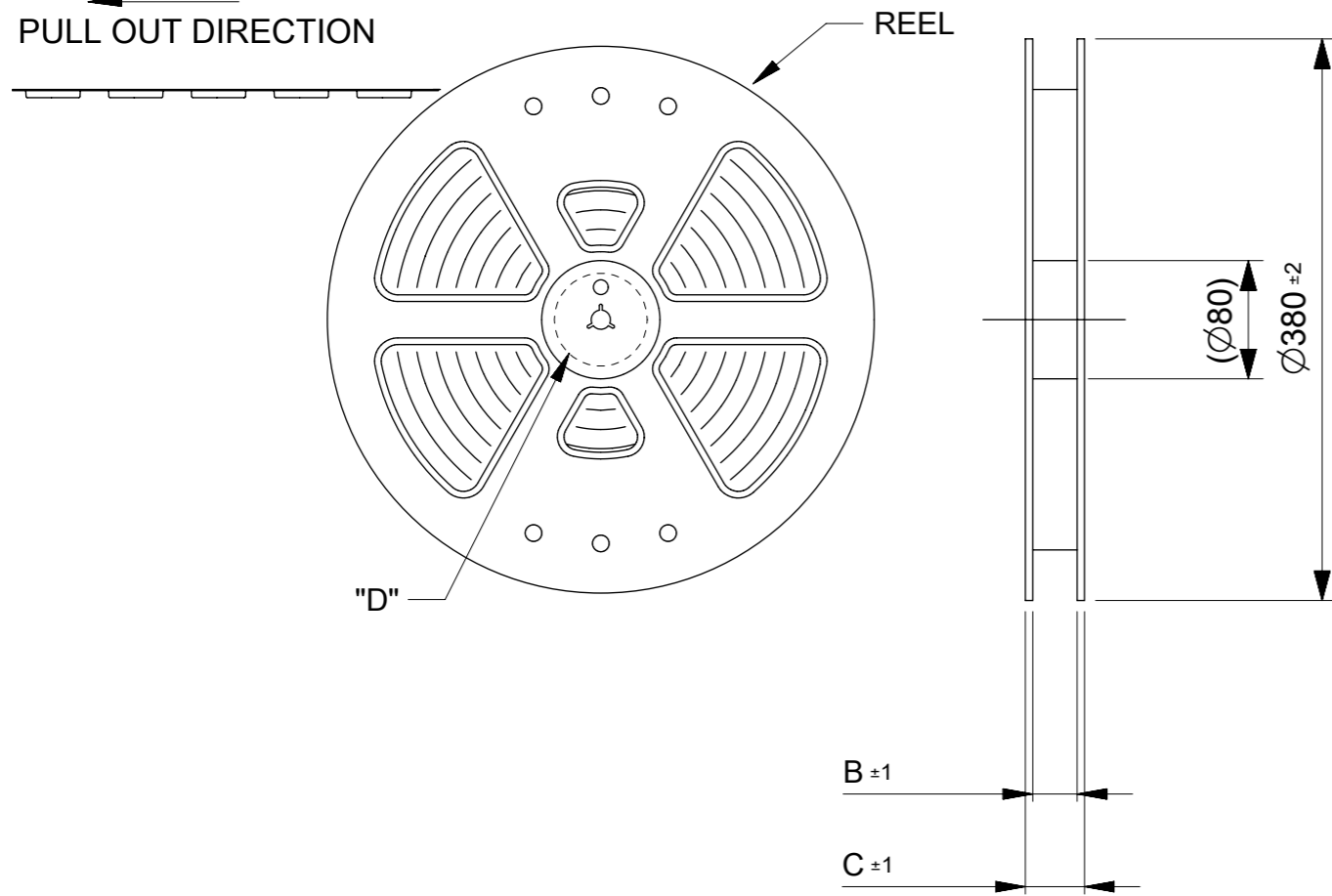


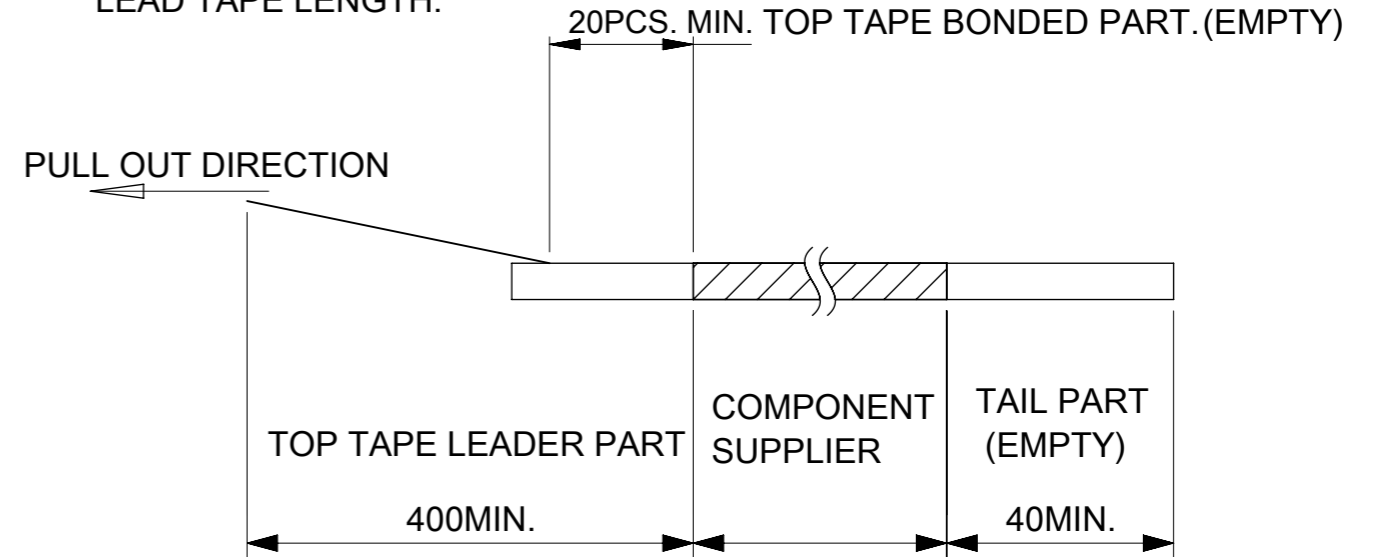
PULL OUT DIRECTION



DETAIL "D"

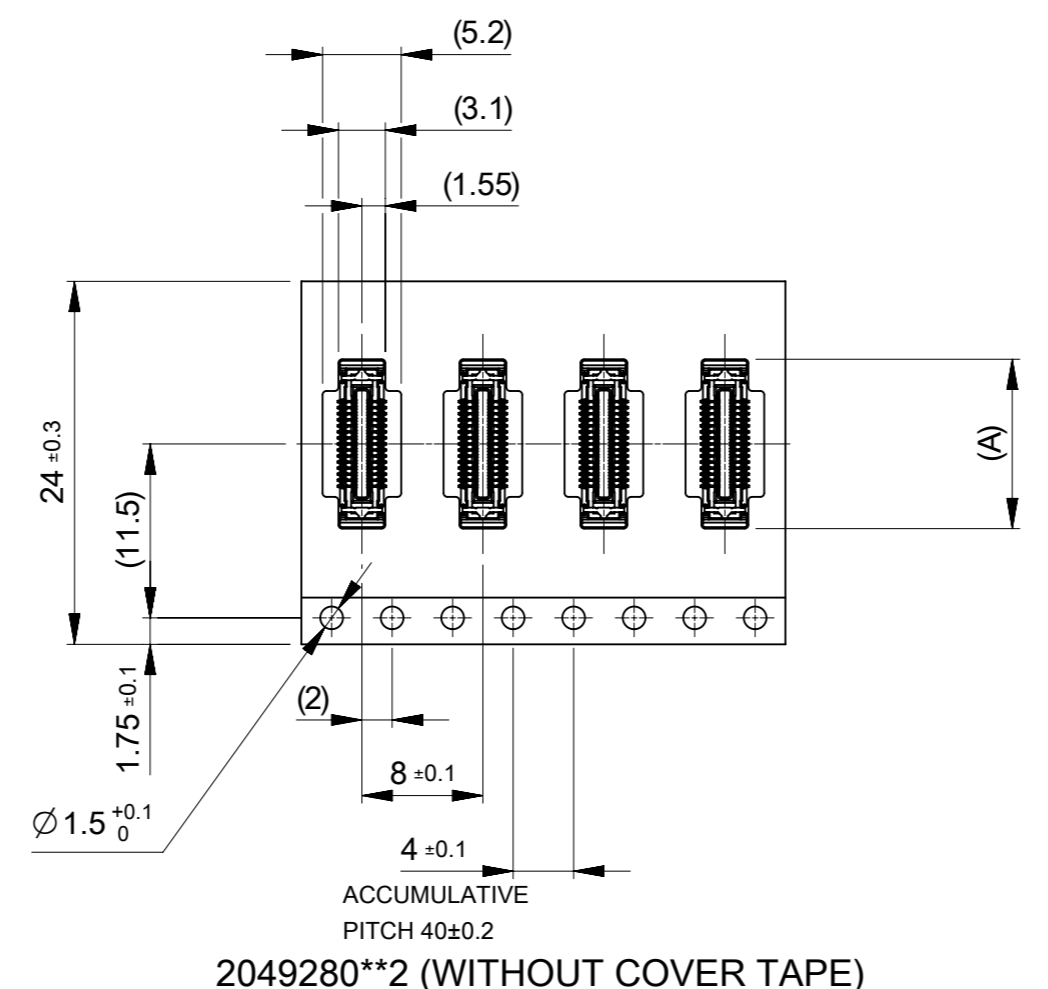
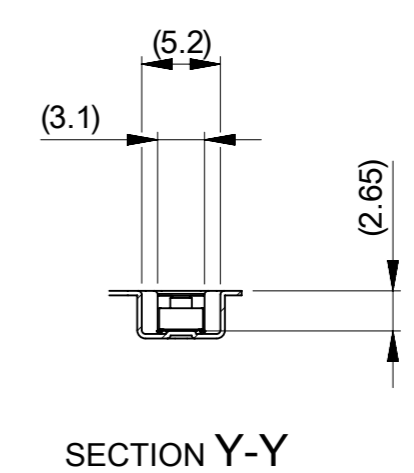
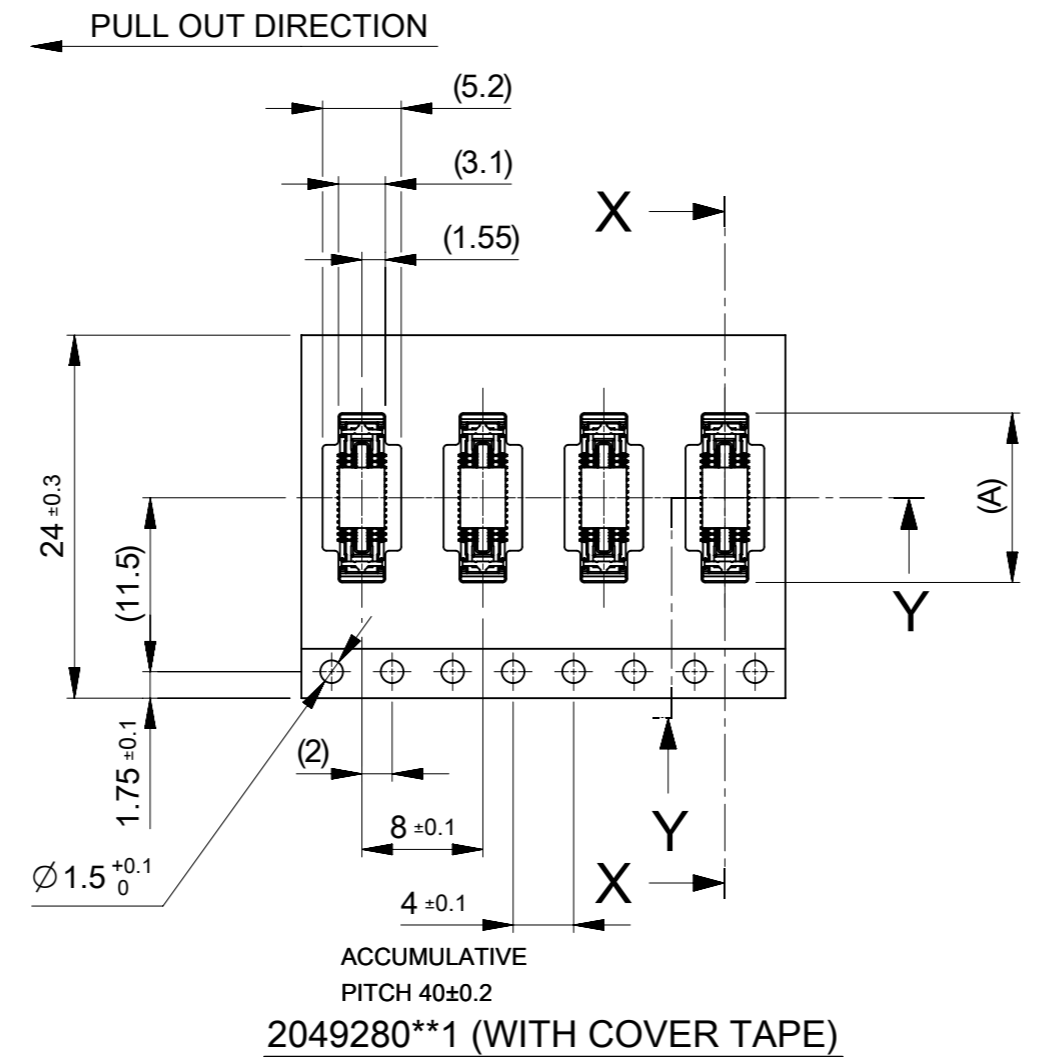
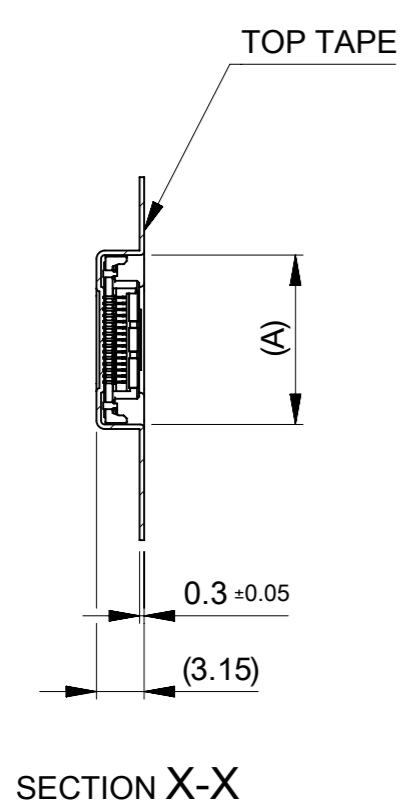
NOTES

1. RE DETAILED DIMENSION, SEE PRODUCT DRAWING.
2. NUMBER OF CONNECTORS : 3000 PCS/REEL.
3. LEAD TAPE LENGTH.



4. TOP TAPE PEEL FORCE IS DEFINED BY IEC60286-3
5. MATERIAL
 CARRIER TAPE : POLYSTYRENE
 TOP TAPE : PET , OTHER
 REEL : POLYSTYRENE(PS)(RECYCLE MATERIAL CONTAINED)

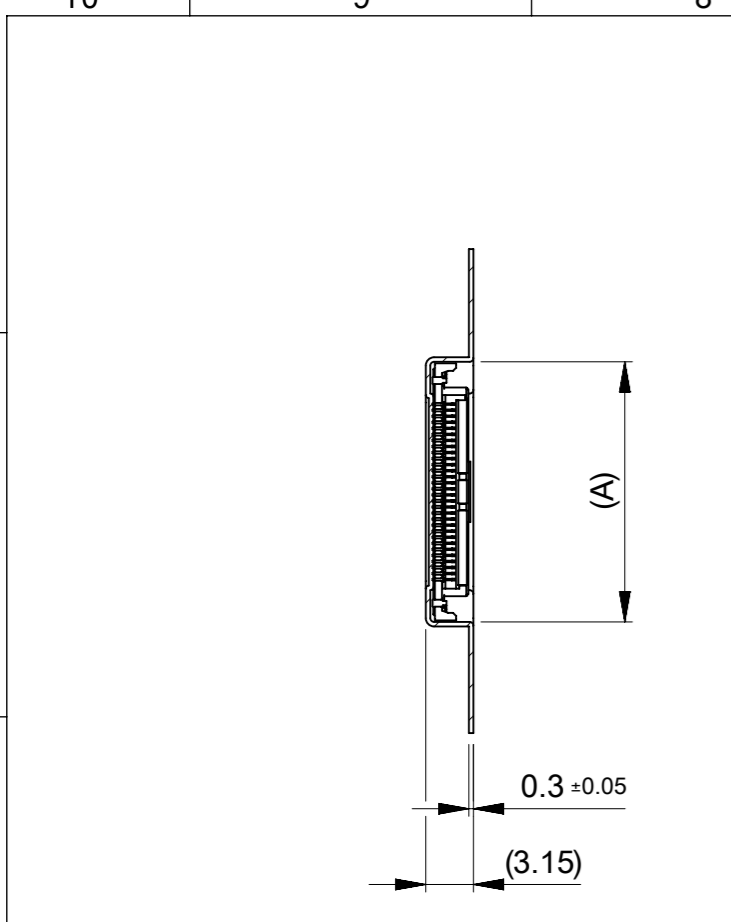
THIS DRAWING CONTAINS INFORMATION THAT IS PROPRIETARY TO MOLEX ELECTRONIC TECHNOLOGIES, LLC AND SHOULD NOT BE USED WITHOUT WRITTEN PERMISSION									
DIMENSION UNITS		SCALE		CURRENT REV DESC:				molex	
mm		1:5							
GENERAL TOLERANCES (UNLESS SPECIFIED)				EC NO: 663038				0.4 FLOATING BOARD TO BOARD CONN. H=3	
ANGULAR TOL ± 1.0°				DRWN: AHMADI2 2020/12/21				FSB3 PLUG EMBOSS TAPE PKG	
4 PLACES ± 0.01				CHK'D: TKON 2021/05/21				PRODUCT CUSTOMER DRAWING	
3 PLACES ± 0.03				APPR: SHOSHIKAWA 2021/05/21				DOCUMENT NUMBER	
2 PLACES ± 0.05				INITIAL REVISION:				2049280000-SD	
1 PLACE ± 0.1				DRWN: JFURUKAWA 2019/02/01				DOC TYPE	
0 PLACES ± 0.2				APPR: SHOSHIKAWA 2020/05/20				PSD	
DRAFT WHERE APPLICABLE MUST REMAIN WITHIN DIMENSIONS		THIRD ANGLE PROJECTION		DRAWING		SERIES		MATERIAL NUMBER	
				A3-SIZE		204928		CUSTOMER	
						GENERAL		SHEET NUMBER	
								1 OF 3	



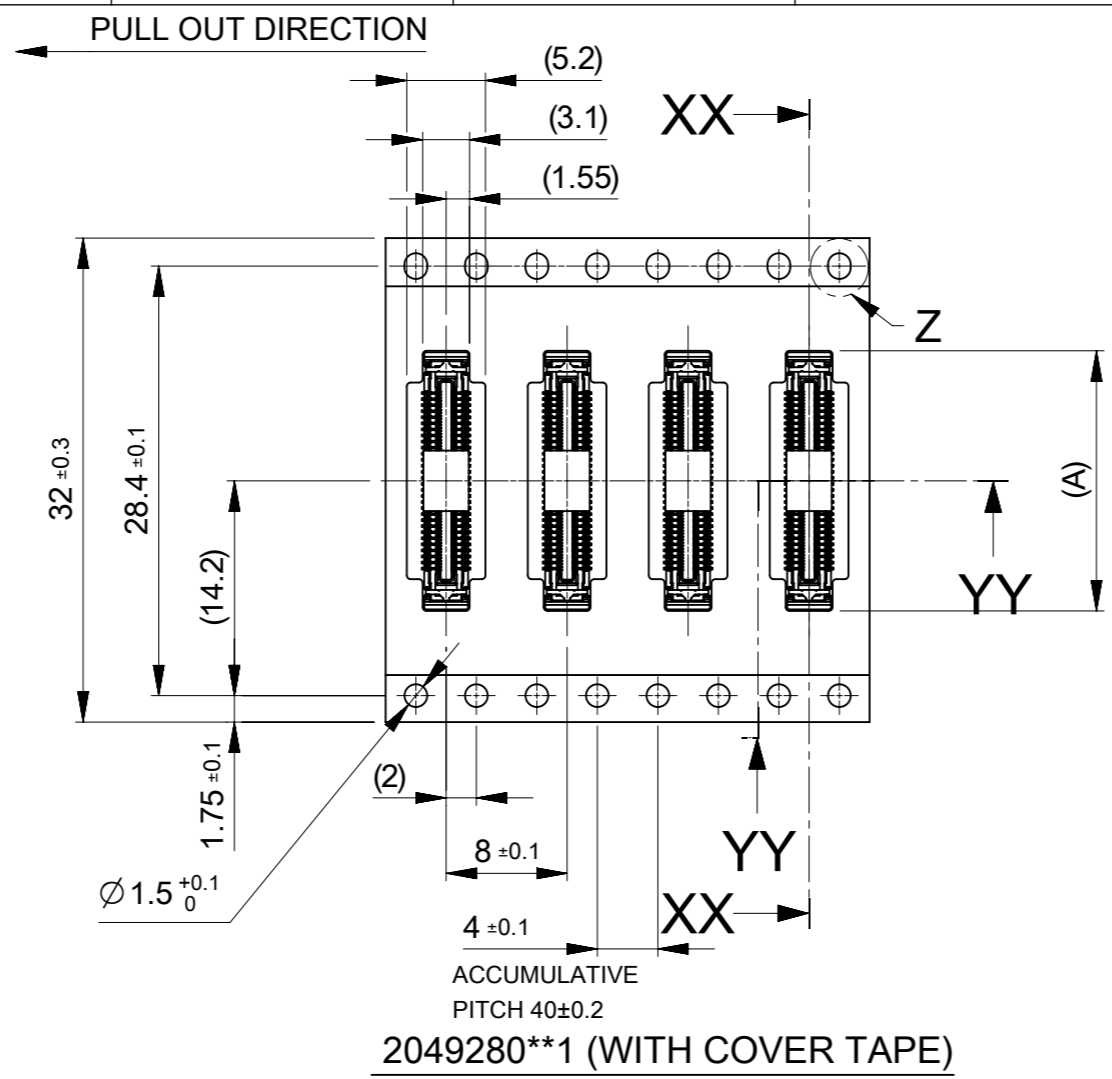
29.4	25.4	15.2	2049280502	2049280501	50
		13.2	2049280402	2049280401	40
		11.2	2049280302	2049280301	30
		9.2	2049280202	2049280201	20
C	B	(A)	WITHOUT COVER TAPE	WITH COVER TAPE	CIRCUIT
ORDER No.					

THIS DRAWING CONTAINS INFORMATION THAT IS PROPRIETARY TO MOLEX ELECTRONIC TECHNOLOGIES, LLC AND SHOULD NOT BE USED WITHOUT WRITTEN PERMISSION

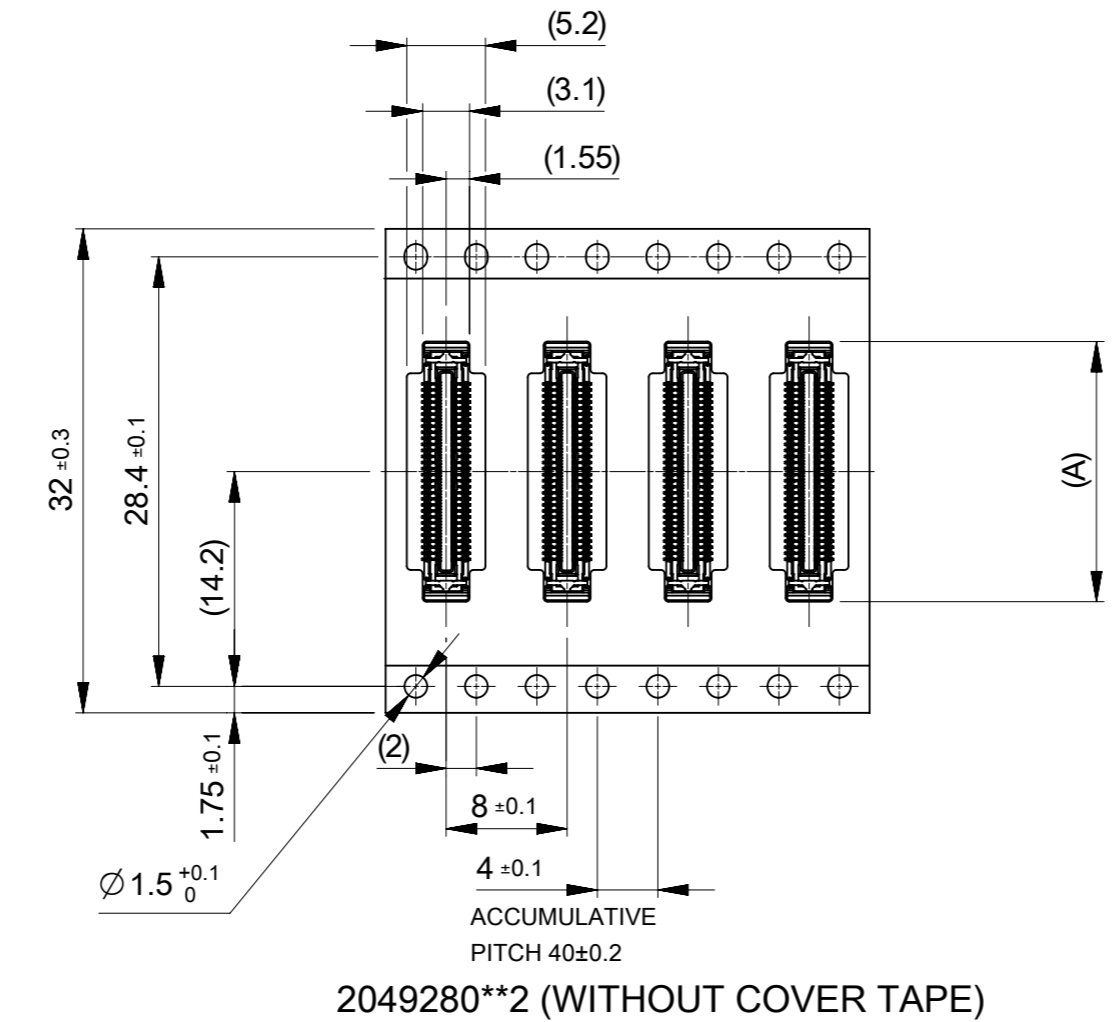
DIMENSION UNITS	SCALE	CURRENT REV DESC:								
mm	2:1	<p style="text-align: center;">molex</p> <p>0.4 FLOATING BOARD TO BOARD CONN. H=3 FSB3 PLUG EMBOSS TAPE PKG</p> <p style="text-align: center;">PRODUCT CUSTOMER DRAWING</p>								
GENERAL TOLERANCES (UNLESS SPECIFIED)										
ANGULAR TOL	± 1.0°									
4 PLACES	± 0.01									
3 PLACES	± 0.03									
2 PLACES	± 0.05									
1 PLACE	± 0.1	EC NO: 663038	2020/12/21	2021/05/21	2021/05/21					
0 PLACES	± 0.2	DRWN: JFURUKAWA	2019/02/01	2020/05/20						
DRAFT WHERE APPLICABLE MUST REMAIN WITHIN DIMENSIONS		THIRD ANGLE PROJECTION	DRAWING	SERIES	MATERIAL NUMBER	CUSTOMER	DOCUMENT NUMBER	DOC TYPE	DOC PART	REVISION
			A3-SIZE	204928	2049280000-SD	GENERAL	2049280000-SD	PSD	000	C



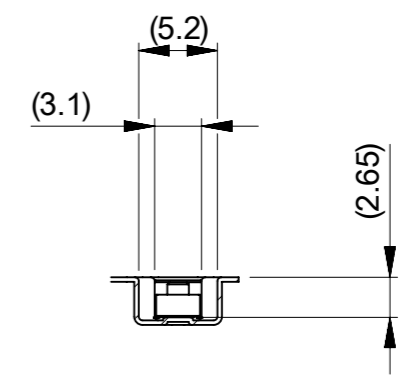
SECTION XX-XX



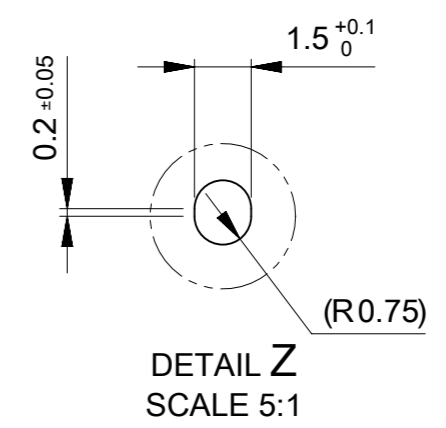
2049280**1 (WITH COVER TAPE)



2049280**2 (WITHOUT COVER TAPE)

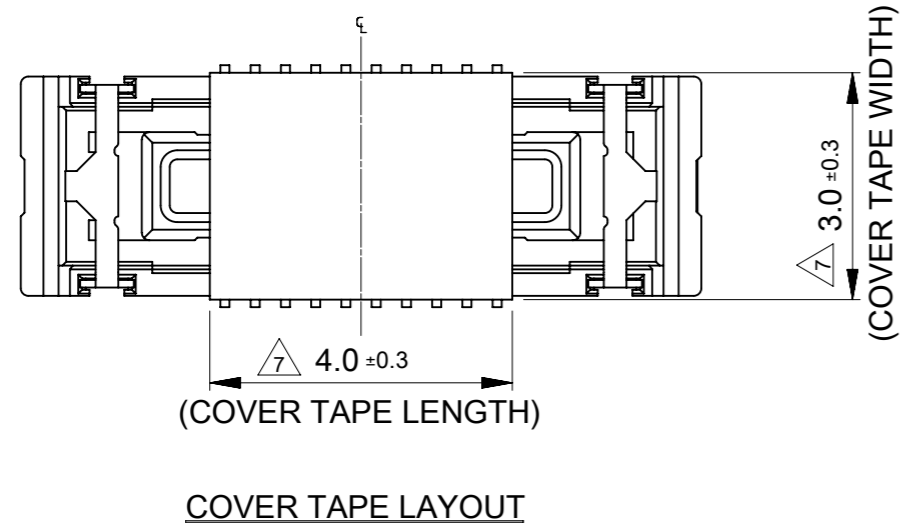
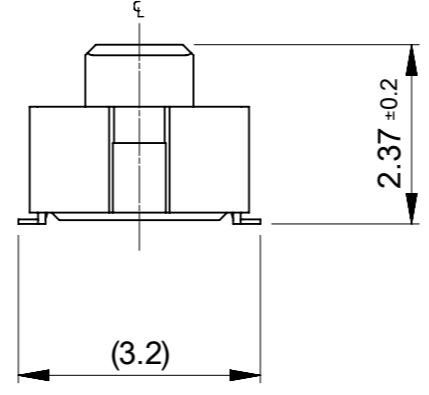
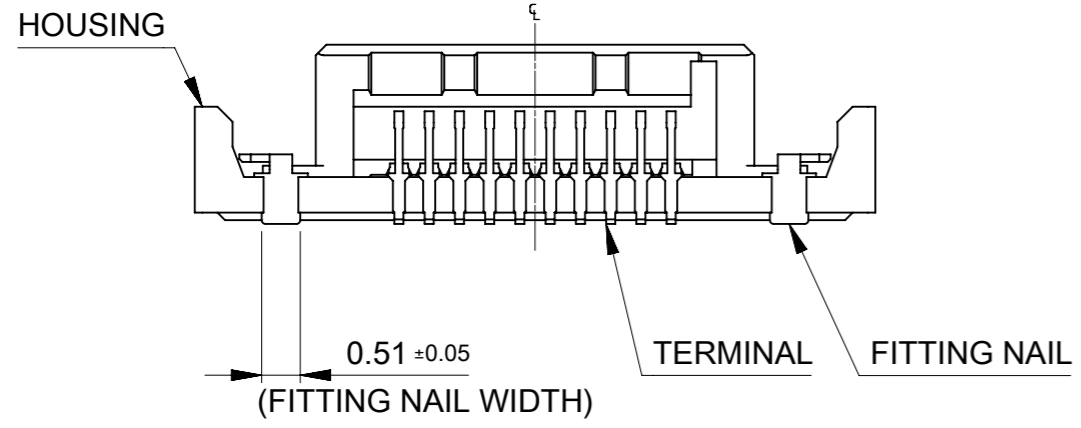
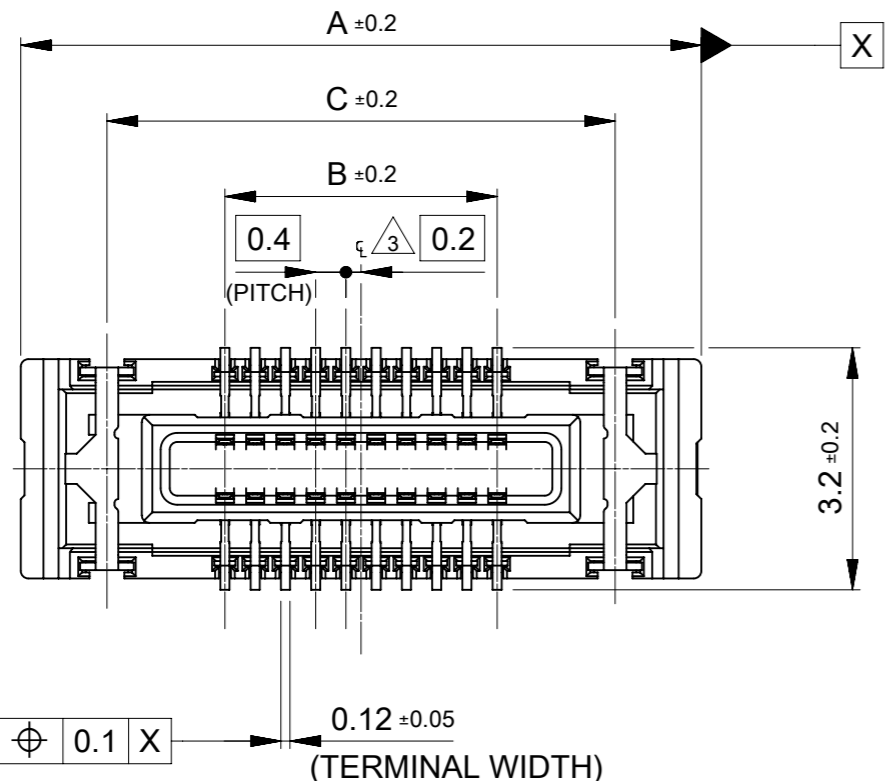


SECTION YY-YY



37.4	33.4	17.2	2049280602	2049280601	60
C	B	(A)	WITHOUT COVER TAPE	WITH COVER TAPE	CIRCUIT
ORDER No.					

THIS DRAWING CONTAINS INFORMATION THAT IS PROPRIETARY TO MOLEX ELECTRONIC TECHNOLOGIES, LLC AND SHOULD NOT BE USED WITHOUT WRITTEN PERMISSION					
DIMENSION UNITS		SCALE	CURRENT REV DESC:		
mm		2:1			
GENERAL TOLERANCES (UNLESS SPECIFIED)					
ANGULAR TOL ± 1.0°					
4 PLACES ± 0.01					
3 PLACES ± 0.03					
2 PLACES ± 0.05					
1 PLACE ± 0.1					
0 PLACES ± 0.2					
DRAFT WHERE APPLICABLE MUST REMAIN WITHIN DIMENSIONS			THIRD ANGLE PROJECTION	DRAWING	SHEET NUMBER
				A3-SIZE	204928
EC NO: 663038			2020/12/21		
DRWN: AHMADI2			2021/05/21		
CHK'D: TKON			2021/05/21		
APPR: SHOSHIKAWA			2021/05/21		
INITIAL REVISION:			DOCUMENT NUMBER		
DRWN: JFURUKAWA			2019/02/01		
APPR: SHOSHIKAWA			2020/05/20		
MATERIAL NUMBER			CUSTOMER		
2049280000-SD			GENERAL		
DOC TYPE			DOC PART		
PSD			000		
REVISION			C		
SHEET NUMBER			3 OF 3		



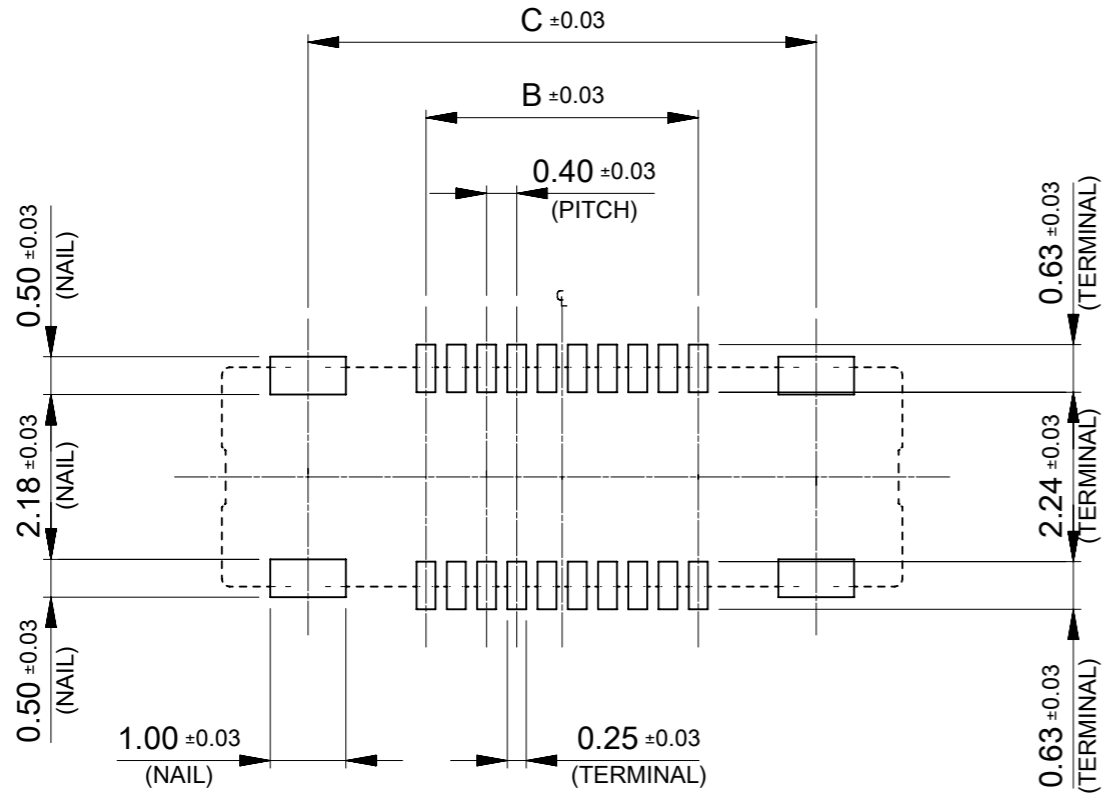
NOTES

- 1 MATERIAL
HOUSING: LIQUID CRYSTAL POLYMER UL94V-0 (COLOR :BLACK)
TERMINAL: COPPER ALLOY
FITTING NAIL: COPPER ALLOY
COVER TAPE: POLYIMIDE
- 2 PLATING
TERMINAL :
CONTACT AREA: GOLD PLATING.
SOLDER TAIL AREA: GOLD PLATING.
UNDERPLATING: NICKEL OVERALL.
*DIVIDE INTO PARTS THE GOLD PLATING OF CONTACT AREA AND TAIL AREA BY THE NICKEL PLATING.
FITTING NAIL:
SURFACE:TIN OVERALL
UNDERPLATING: NICKEL OVERALL.
- △3 APPLY FOR (CIRCUIT/2)=EVEN.
- 4 MATE WITH :204927****
- 5 TAIL AND FITTING NAIL COPLANARITY TO BE 0.1MAXIMUM.
- △6 STACK HEIGHT IS KEPT FIXED BY SPACER.
- △7 COMMON LENGTH TO ALL CIRCUIT.
- △8 THIS DIMENSION SHOWS THE DIMENSION BETWEEN SOLDERING SURFACE OF SOLDER TAILS.

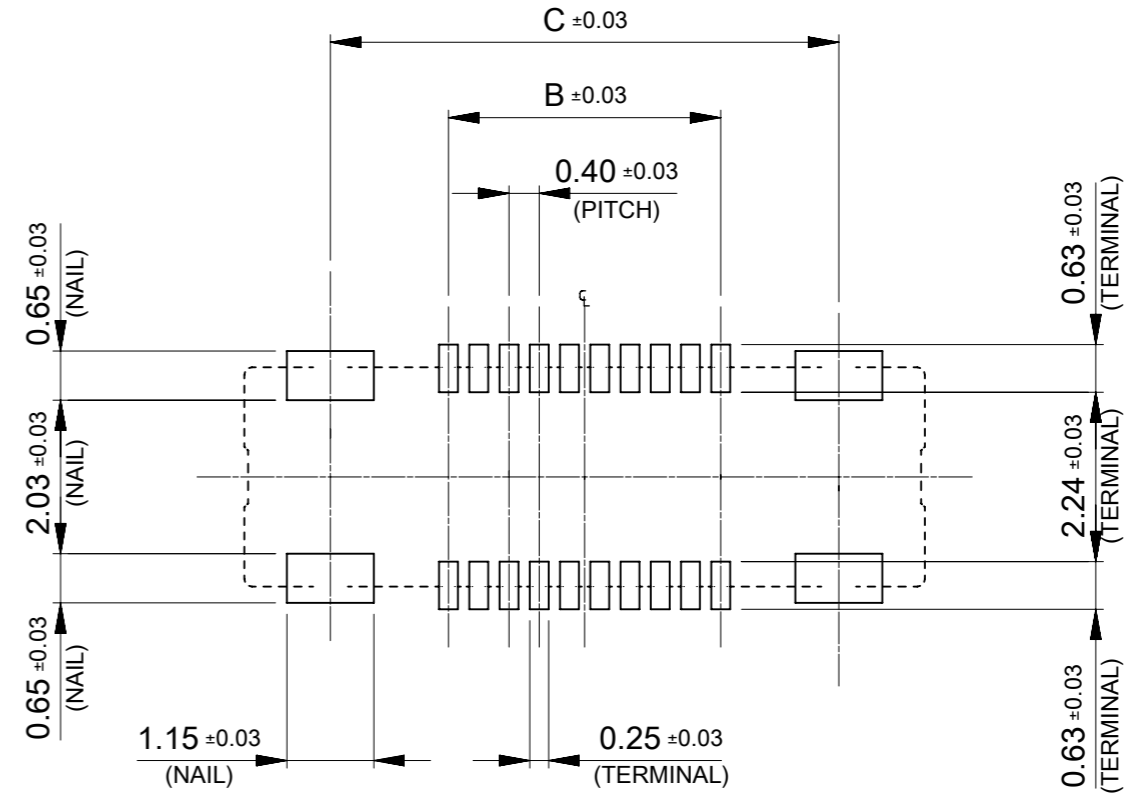
14.72	11.6	17	2049280602	2049280601	60
12.72	9.6	15	2049280502	2049280501	50
10.72	7.6	13	2049280402	2049280401	40
8.72	5.6	11	2049280302	2049280301	30
6.72	3.6	9	2049280202	2049280201	20
C	B	A	WITHOUT COVER TAPE	WITH COVER TAPE	CIRCUIT
			EMBOSSED TAPE PACKAGE		
			ORDER NO.		

THIS DRAWING CONTAINS INFORMATION THAT IS PROPRIETARY TO MOLEX ELECTRONIC TECHNOLOGIES, LLC AND SHOULD NOT BE USED WITHOUT WRITTEN PERMISSION

DIMENSION UNITS mm	SCALE 10:1	CURRENT REV DESC:		molex	
GENERAL TOLERANCES (UNLESS SPECIFIED)		EC NO: 663038			
ANGULAR TOL ± 3.0°	4 PLACES ± 0.03	DRWN: AHMADI2	2020/12/21	PRODUCT CUSTOMER DRAWING	
3 PLACES ± 0.03	2 PLACES ± 0.05	CHK'D: TKON	2021/05/21	DOCUMENT NUMBER	
1 PLACE ± 0.1	0 PLACES ± 0.2	APPR: SHOSHIKAWA	2021/05/21	2049281000-SD	DOC TYPE DOC PART REVISION
DRAFT WHERE APPLICABLE MUST REMAIN WITHIN DIMENSIONS	THIRD ANGLE PROJECTION	INITIAL REVISION:	DRWN: JFURUKAWA	2018/11/26	PSD 000 D
		APPR: SHOSHIKAWA	2020/05/20	SEE CHART	GENERAL
		DRAWING	SERIES	MATERIAL NUMBER	CUSTOMER
		A3-SIZE	204928	SEE CHART	GENERAL
					SHEET NUMBER
					1 OF 2

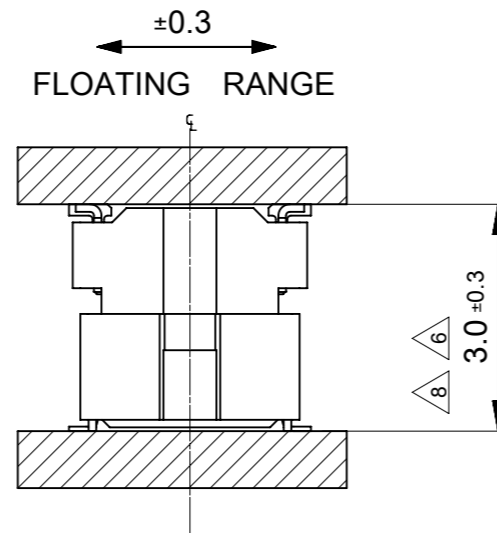
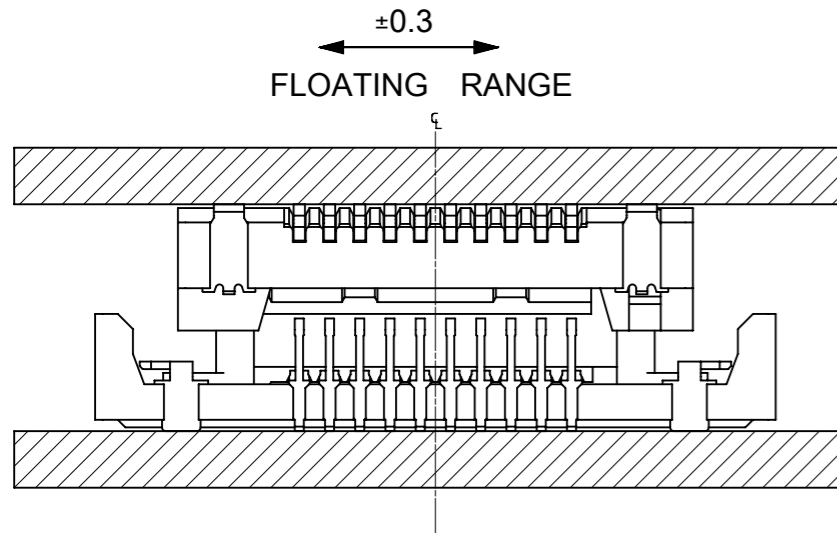


RECOMMENDED P.W.BOARD PATTERN LAYOUT(REFERENCE)



RECOMMENDED METAL MASK LAYOUT(REFERENCE)

RECOMMENDED THICKNESS OF METAL MASK : $t=0.1\text{mm}$
 RECOMMENDED OPEN APERTURE RATIO OF METAL MASK : TERMINAL 100%, NAIL 150%



THIS DRAWING CONTAINS INFORMATION THAT IS PROPRIETARY TO MOLEX ELECTRONIC TECHNOLOGIES, LLC AND SHOULD NOT BE USED WITHOUT WRITTEN PERMISSION		CURRENT REV DESC:		molex	
DIMENSION UNITS	SCALE				
mm	10:1			0.4 FLOATING BOARD TO BOARD CONN. H=3 FSB3 PLUG ASSY	
GENERAL TOLERANCES (UNLESS SPECIFIED)				PRODUCT CUSTOMER DRAWING	
ANGULAR TOL	± 3.0 °			DOCUMENT NUMBER	
4 PLACES	± 0.03	EC NO: 663038	2020/12/21	2049281000-SD	
3 PLACES	± 0.03	DRWN: AHMADI2	2021/05/21	DOC TYPE	DOC PART
2 PLACES	± 0.05	CHK'D: TKON	2021/05/21	PSD	000
1 PLACE	± 0.1	APPR: SHOSHIKAWA		REVISION	
0 PLACES	± 0.2	INITIAL REVISION:		D	
DRAFT WHERE APPLICABLE MUST REMAIN WITHIN DIMENSIONS		DRWN: JFURUKAWA	2018/11/26	MATERIAL NUMBER	
		APPR: SHOSHIKAWA	2020/05/20	SEE CHART	GENERAL
		THIRD ANGLE PROJECTION	DRAWING	SERIES	SHEET NUMBER
			A3-SIZE	204928	2 OF 2