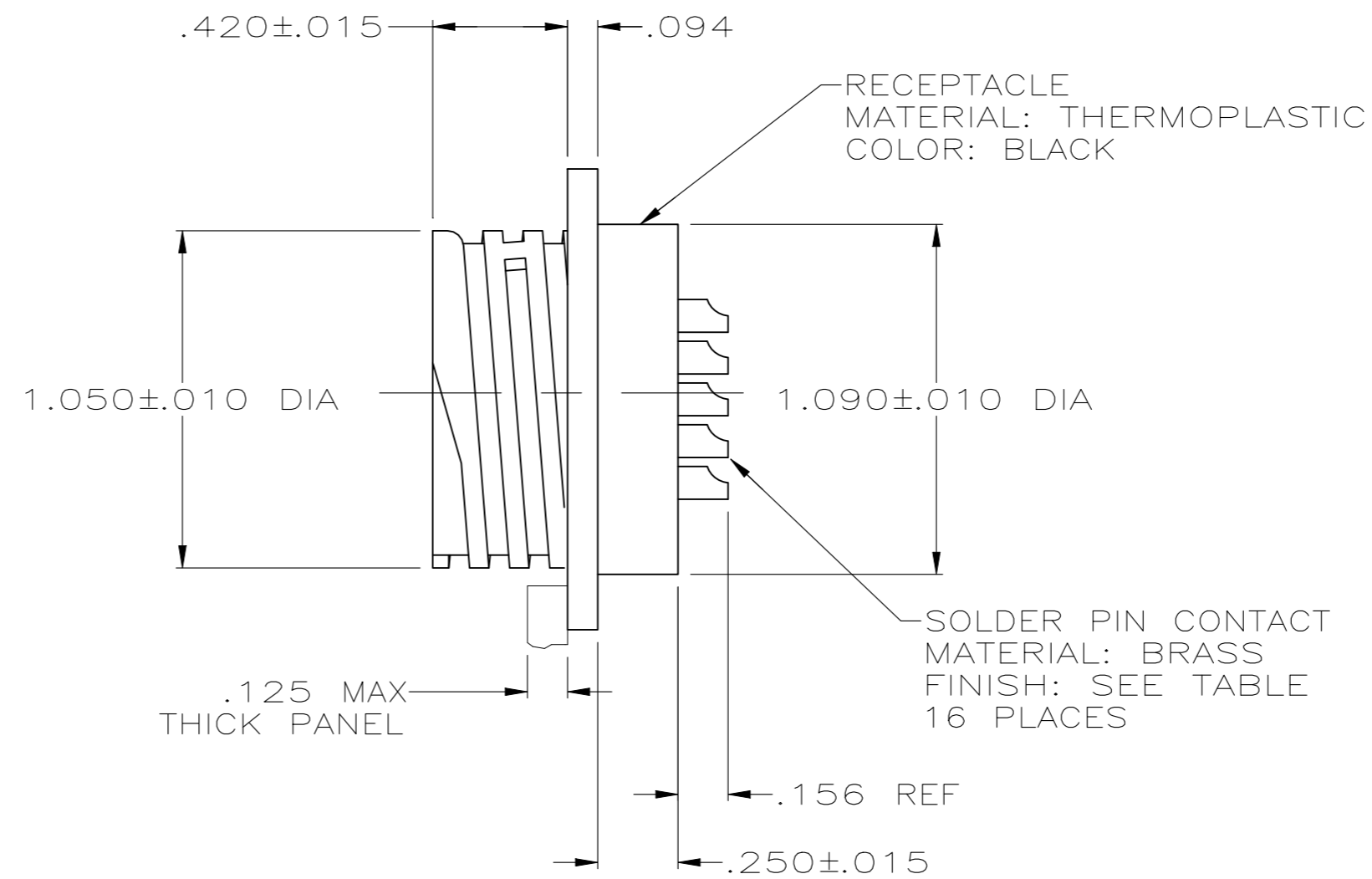
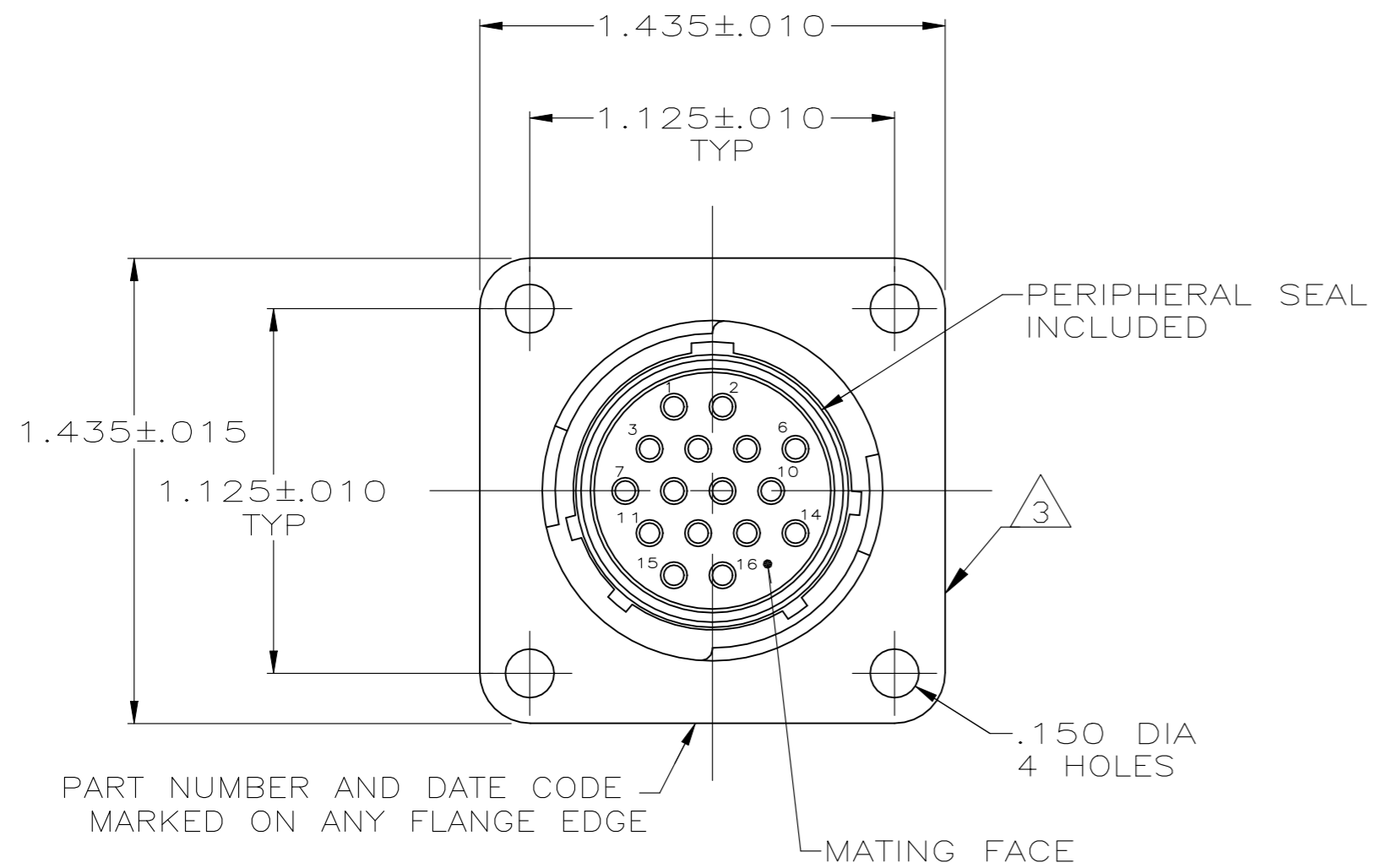


REVISIONS					
P	LTR	DESCRIPTION	DATE	DWN	APVD
E		REVISED PER ECO-21-006948	27OCT2021	RK	MZ



- ① GOLD PER MIL-G-45204 OVER NICKEL PER QQ-N-290.
- ② TIN PER MIL-T-10727 OVER COPPER PER MIL-C-14550.
- ③ TE LOGO LOCATED ON ANY FLNGE EDGE

②	206404-2
①	206404-1
CONTACT FINISH	PART NUMBER

THIS DRAWING IS A CONTROLLED DOCUMENT.		DWN	J GALLUCCI BG	5-21-91		RECEPTACLE ASSEMBLY W/SOLDER CUP CONTACTS, STD SEX, SERIES 1, 17-16, CPC																			
DIMENSIONS: INCHES		CHK	W.G.LENKER	4-9-92		NAME																			
TOLERANCES UNLESS OTHERWISE SPECIFIED:		APVD	C.ROHDE	4-9-92		PRODUCT SPEC																			
<table border="1"> <tr><td>0 PLC</td><td>±</td><td>-</td></tr> <tr><td>1 PLC</td><td>±</td><td>-</td></tr> <tr><td>2 PLC</td><td>±</td><td>-</td></tr> <tr><td>3 PLC</td><td>±</td><td>.005</td></tr> <tr><td>4 PLC</td><td>±</td><td>-</td></tr> <tr><td>ANGLES</td><td>±</td><td>-</td></tr> </table>		0 PLC	±	-		1 PLC	±	-	2 PLC	±	-	3 PLC	±	.005	4 PLC	±	-	ANGLES	±	-	APPLICATION SPEC		108-10024		SIZE
0 PLC	±	-																							
1 PLC	±	-																							
2 PLC	±	-																							
3 PLC	±	.005																							
4 PLC	±	-																							
ANGLES	±	-																							
MATERIAL: SEE CALLOUT		FINISH: SEE TABLE		WEIGHT	-	CAGE CODE	00779																		
CUSTOMER DRAWING				SCALE	2:1	DRAWING NO	C=206404																		
				SHEET	1 of 1	RESTRICTED TO	-																		
				REV	E																				