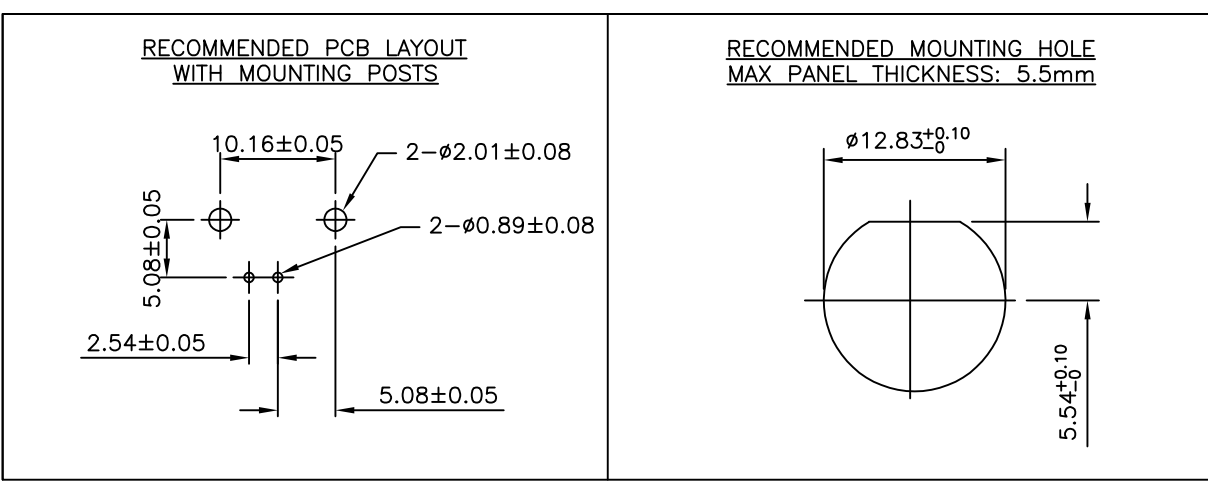
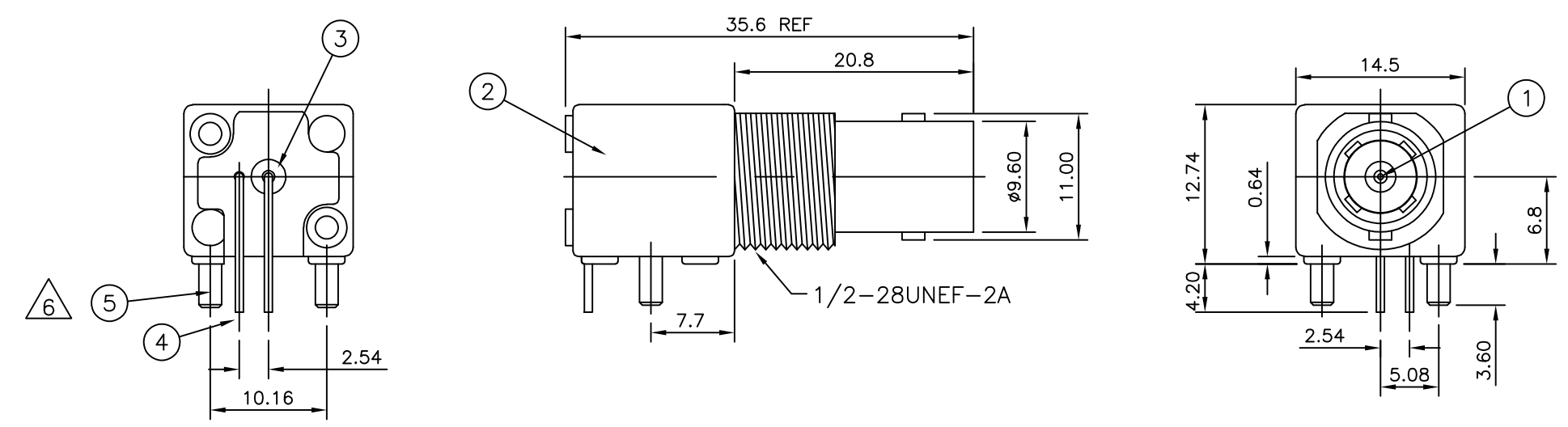


THIS DRAWING IS UNPUBLISHED. RELEASED FOR PUBLICATION FEB , 2005.
 © COPYRIGHT 2005 By - ALL RIGHTS RESERVED.

LOC	DIST	REVISIONS					
		P	LTR	DESCRIPTION	DATE	DWN	APVD
E	B		D	ECO-09-003420	15 Feb 09	RITA	BOB
			E	ECO-12-014680	20Aug2012	TITAN	MARTIN

- NOTES:**
- 1 SINGLE PACK IN ACCORDANCE WITH AMP SPEC 107-3275
 - 2 50 TRAY PACK IN ACCORDANCE WITH AMP SPEC 107-3275
 - 3 Au PLATING OVER Ni PLATING OVER Cu PLATING
 - 4 Ni PLATING OVER Cu PLATING
 - 5 TIN PLATING
 - 6. FOR TECHNICAL DATA REFER TO YOUR LOCAL TYCO ELECTRONICS SALES OFFICE
 - 7. ALL DIMENSIONS ARE NOMINAL FOR REFERENCE ONLY UNLESS OTHERWISE STATED



QTY	QTY	MATERIAL	DESCRIPTION	ITEM
2	2	BRASS	MOUNTING POST	5
1	1	BRASS	SOLDER TAIL	4
1	1	PE-606	INSULATOR	3
1	1	ZINC ALLOY	BODY	2
1	1	BRASS	CONTACT	1
6--0	1--0	MATERIAL	DESCRIPTION	ITEM

QUANTITY PER ASSY: 2 2 1 1 1 1 6--0 1--0

PARTS LIST

THIS DRAWING IS A CONTROLLED DOCUMENT.

DWN RITA ZUO 15 Feb 09
 CHK ANSON MA 15 Feb 09
 APVD BOB ZHAO 15 Feb 09

STE TE Connectivity

NAME: BNC ELBOW PCB SOCKET LOW PROFILE 50 OHM

PRODUCT SPEC: 108-112000

APPLICATION SPEC: -

SIZE: A3 CAGE CODE: 00779 DRAWING NO: C-1337521 RESTRICTED TO: -

WEIGHT: -

CUSTOMER DRAWING SCALE: NTS SHEET: 1 OF 1 REV: E

DIMENSIONS:	TOLERANCES UNLESS OTHERWISE SPECIFIED:
mm	
0 PLC	± 0.5
1 PLC	± 0.3
2 PLC	± 0.2
3 PLC	± -
4 PLC	± -
ANGLES	± -
MATERIAL	FINISH
SEE TABLE	SEE TABLE