

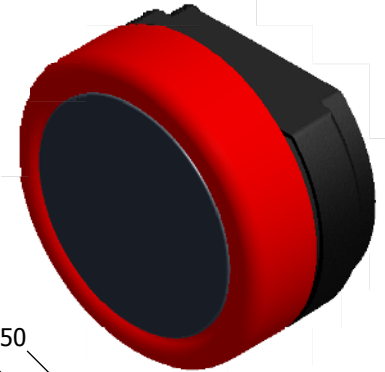
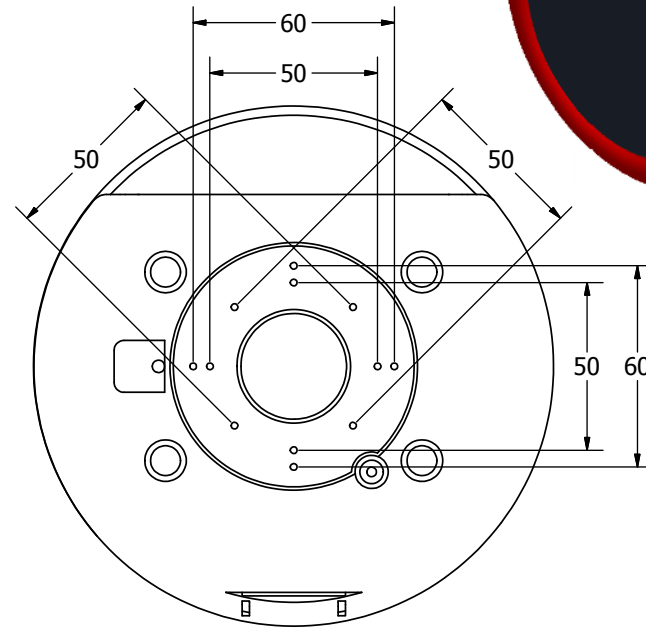
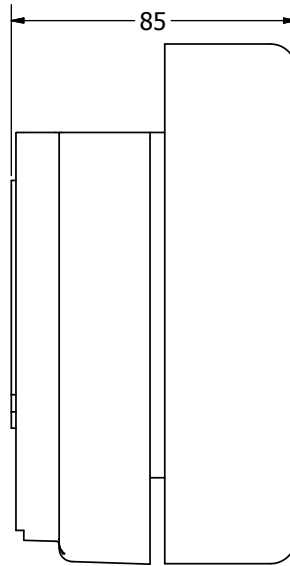
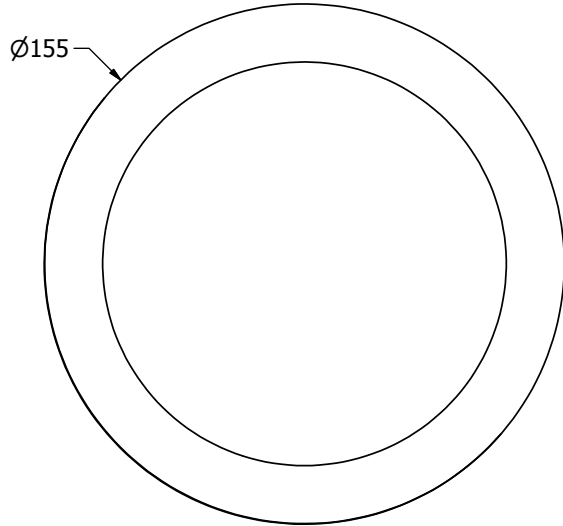
SPECIFICATIONS

PARAMETERS	VALUES	UNIT
RATED VOLTAGE	12	Vdc
OPERATING VOLTAGE RANGE	9 ~ 15	Vdc
tone OUTPUT @ 12Vdc	93 ~ 95	dBA
CURRENT CONSUMPTION @ 12Vdc	60	mA
INGRESS PROTECTION	IP55	-
GONG MATERIAL/COLOR	STEEL/RED	-
BASE MATERIAL	POLYCARBONATE	
OPERATING TEMPERATURE	-10 ~ +55	°C
WEIGHT	110	grams

THIS DOCUMENT CONTAINS DATA PROPRIETARY TO PROJECTS UNLIMITED, INC. ANY USE OR REPRODUCTION, IN ANY FORM, WITHOUT PRIOR WRITTEN PERMISSION OF PROJECTS UNLIMITED, INC. IS PROHIBITED.
©2003, Projects Unlimited Inc.

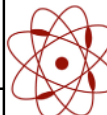
REVISION HISTORY

LTR	DESCRIPTION	DATE	APPROVED
-	RELEASED FROM ENGINEERING	12/28/2007	
A	ADDED RoHS NOTE	5/22/2007	R.W.
B	REVISED TO INVENTOR 3-D DRAWING TEMPLATE	6/28/2010	B.R.



NOTES:

1. ALL DIMENSIONS ARE IN MILLIMETERS.
2. SPECIFICATIONS SUBJECT TO CHANGE OR WITHDRAWAL WITHOUT NOTICE.
3. THIS PART IS RoHS 2002/95/EC COMPLIANT.

UNLESS OTHERWISE SPECIFIED: DIMENSIONS ARE IN MILLIMETERS, TOLERANCES ARE ±0.5 AND ANGLES ARE ±3°.	SIZE	Designed by	Date	Checked by	Date	Approved by	Date	Drawn Date
	A3	J.A.F.	12/16/2005	E.P.	12/16/2005	B.R.	12/16/2005	6/28/2010
AWB-25R6-12.idw		 pui audio <small>a projects unlimited company</small>			AWB-25R6-12 Siren			
							Edition	Sheet
							-	1 / 1