



soberton inc.

SP DYNAMIC SPEAKER UNIT

Acoustic Product Specification

Product Number: SP-4510



Release | Revision: D/2018

CONTENTS

This document contains the technical specifications for the dynamic speaker unit.

Page 1

Speaker Electroacoustic Characteristics

General Specifications

Page 2

Reliability Tests

Page 3

Dimensions

Page 4

Measuring Method

Block Diagram For Measurement Method

Page 5

Frequency Response Curve

Page 6

Packing

Speaker Electroacoustic Characteristics

Sound Pressure Level

82±3dB SPL @0.6, 0.8, 1.0 and 1.2KHz on average (0dB SPL=20µPa)
Measuring condition: 1W (Sine wave) 10cm measured with baffle shown in Fig 1

Frequency Range

F0 Hz ~ 6KHz

Response Frequency

700±20%Hz

Input Power (Nominal and Maximum)

Rated Noise Power: 0.3W

Short Term Maximum Power: 3.0W must be normal at a white noise for one minute

Buzzer and Rattles

Should not be audible at 1.09 V sine wave between F0 ~ 20KHz

Polarity

When positive voltage is applied to the terminal marked (+), diaphragm should move to the front.

Distortion

Less than 10% @1KHz, 0.1M, 1.0W, frequency range, input level up to 2.0 Vrms

General Specifications

Operating Temperature Range

-30°C~+70°C

Storage Temperature Range

-40°C~+85°C

Standard Test Conditions

Temperature 17°C~25°C

Relative Humidity 45%~80%(RH)

Impedance

4±15%Ω

Weight

15.5g±8%

Dimension

45.0 x 10.0mm

IP Level

No rating



soberton inc.

SP DYNAMIC SPEAKER UNIT

Acoustic Product Specification

Product Number: SP-4510



Release | Revision: D/2018

CONTENTS

This document contains the technical specifications for the dynamic speaker unit.

Page 1
Speaker Electroacoustic Characteristics

General Specifications

Page 2
Reliability Tests

Page 3
Dimensions

Page 4
Measuring Method

Block Diagram For Measurement Method

Page 5
Frequency Response Curve

Page 6
Packing

Reliability Tests

After these test, the change of S.P.L shall be within ± 3 dB

High Temperature Test

High Temperature $+70\pm 3^{\circ}\text{C}$

Duration 96 hours

Low Temperature Test

Low Temperature $-30\pm 3^{\circ}\text{C}$

Duration 96 hours

Humidity Test

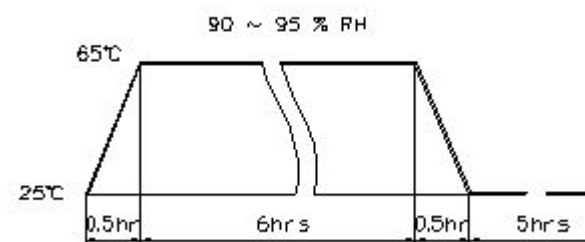
Temperature $+30\pm 3^{\circ}\text{C}$

Relative Humidity 92%~95%

Duration 96 hours

Temperature/Humidity Cycle Test

The part will be subjected 5 cycles. One cycle shall be 6 hours and consist of



Drop Test

Drop the speakers contained in normal box onto the board 40mm thick 10 times from the height of 75cm.

Vibration Test

10Hz ~ 55Hz ~ 10Hz sine-wave sweep 15min. 5G (constant) X, Y, Z 3 direction, 2 hours each, a total 6 hours.

Load Test

Rated Power White-Noise is applied for 96hours at room temp



soberton inc.

SP DYNAMIC SPEAKER UNIT

Acoustic Product Specification

Product Number: SP-4510



Release | Revision: D/2018

CONTENTS

This document contains the technical specifications for the dynamic speaker unit.

Page 1
Speaker Electroacoustic Characteristics

General Specifications

Page 2
Reliability Tests

Page 3
Dimensions

Page 4
Measuring Method

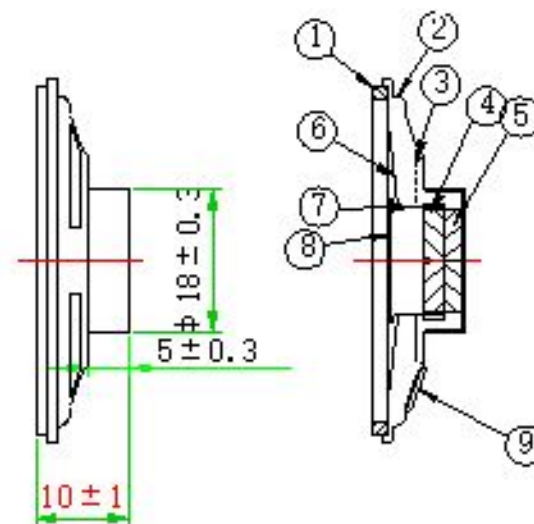
Block Diagram For Measurement Method

Page 5
Frequency Response Curve

Page 6
Packing

Dimensions

Tolerance: ± 0.5 (unit: mm)



No.	Part Name	Material	Quantity
1	Gasket	Paper	1
2	Frame	SPCC	1
3	Damper	Cloth	1
4	Plate	SPCC	1
5	Magnet	Nd Fe B	1
6	Cone	PET	1
7	Voice coil	PL+Cu	1
8	Dust cap	PET	1
9	Terminals	Paper + steel	1



soberton inc.

SP DYNAMIC SPEAKER UNIT

Acoustic Product Specification

Product Number: SP-4510



Release | Revision: D/2018

CONTENTS

This document contains the technical specifications for the dynamic speaker unit.

Page 1
Speaker Electroacoustic Characteristics

General Specifications

Page 2
Reliability Tests

Page 3
Dimensions

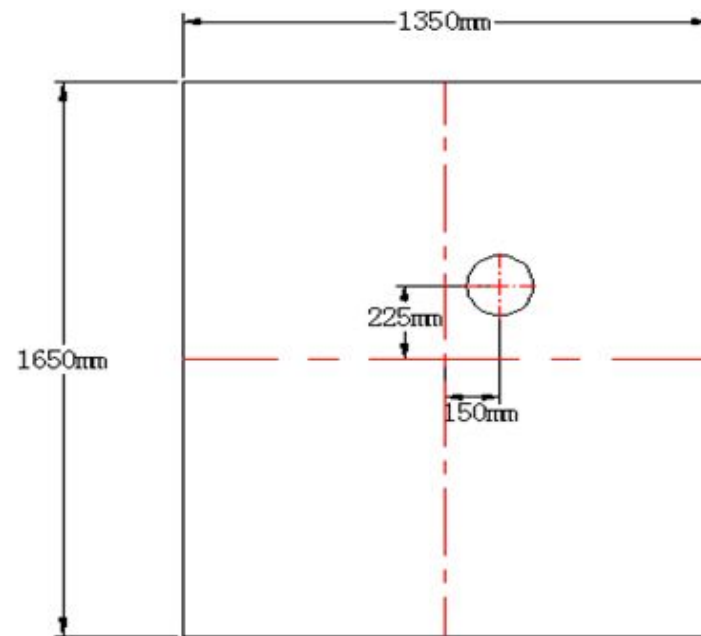
Page 4
Measuring Method

Block Diagram For Measurement Method

Page 5
Frequency Response Curve

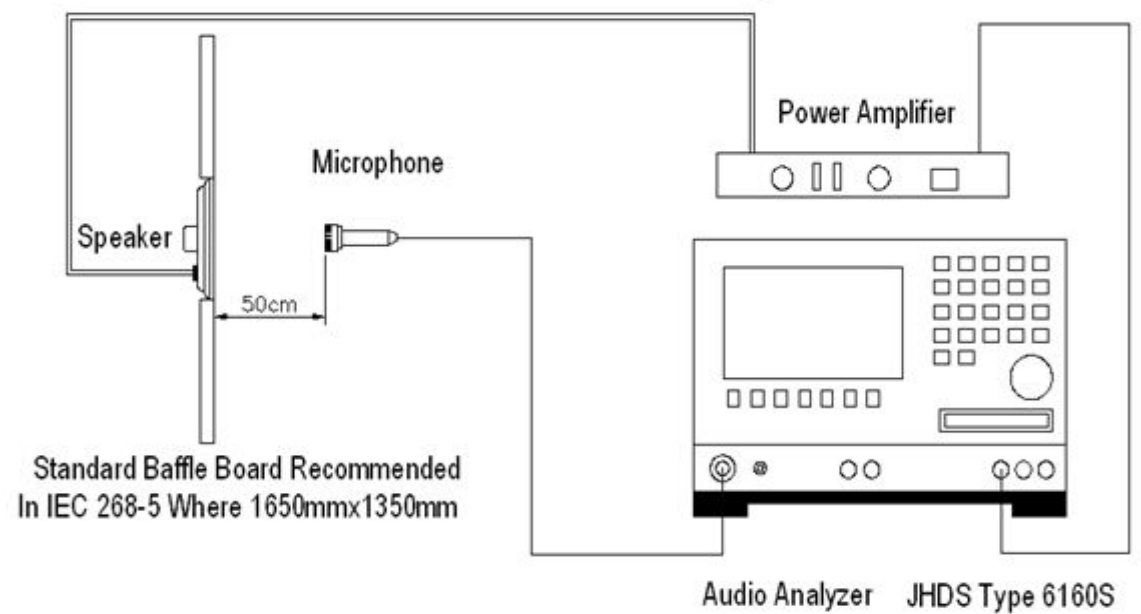
Page 6
Packing

Measuring Method (Fig.1)



Block Diagram For Measurement Method

Standard test condition of speaker





soberton inc.

SP DYNAMIC SPEAKER UNIT

Acoustic Product Specification

Product Number: SP-4510



Release | Revision: D/2018

CONTENTS

This document contains the technical specifications for the dynamic speaker unit.

Page 1

Speaker Electroacoustic Characteristics

General Specifications

Page 2

Reliability Tests

Page 3

Dimensions

Page 4

Measuring Method

Block Diagram For Measurement Method

Page 5

Frequency Response Curve

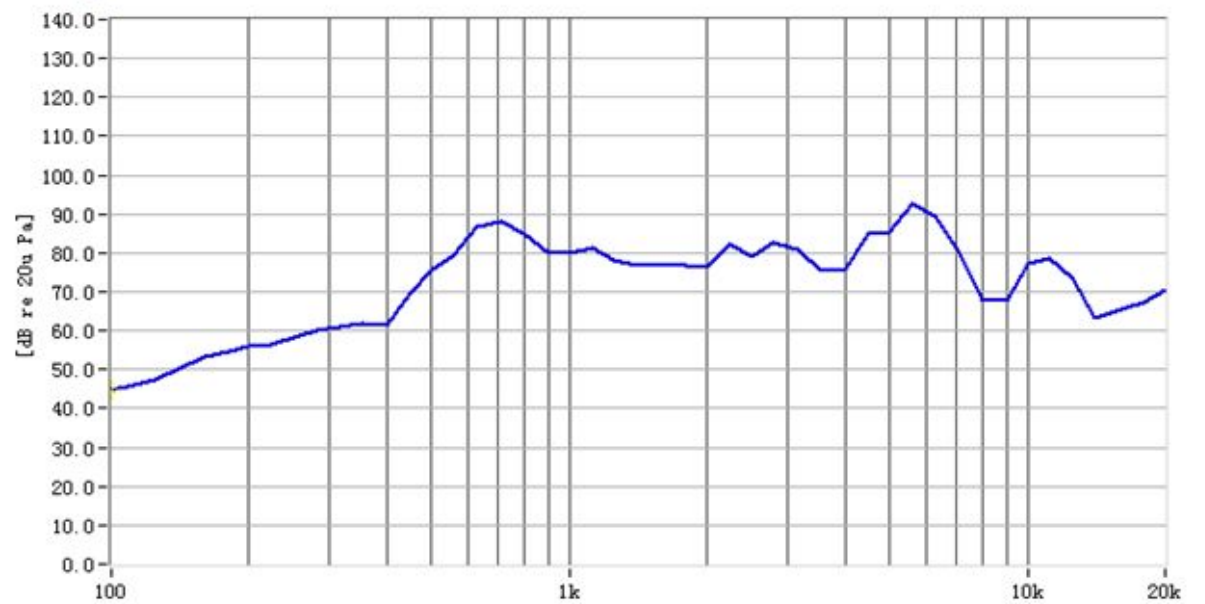
Page 6

Packing

Frequency Response Curve (Fig. 2)

The swept sine-wave frequency response of a loudspeaker should ideally not deviate more than indicated.

XY Graph 6





soberton inc.

SP DYNAMIC SPEAKER UNIT

Acoustic Product Specification

Product Number: SP-4510



Release | Revision: D/2018

CONTENTS

This document contains the technical specifications for the dynamic speaker unit.

Page 1

Speaker Electroacoustic Characteristics

General Specifications

Page 2

Reliability Tests

Page 3

Dimensions

Page 4

Measuring Method

Block Diagram For Measurement Method

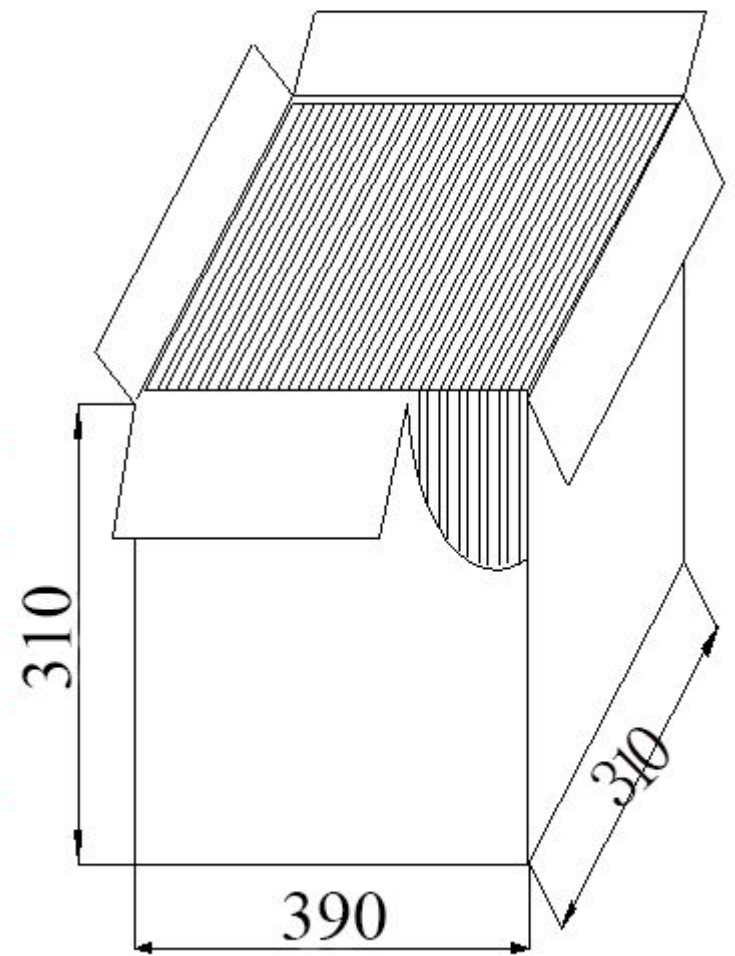
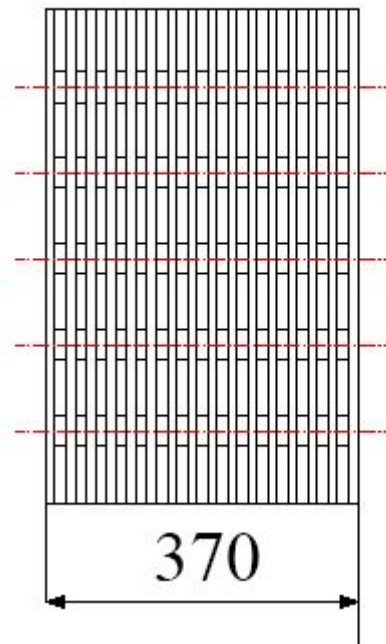
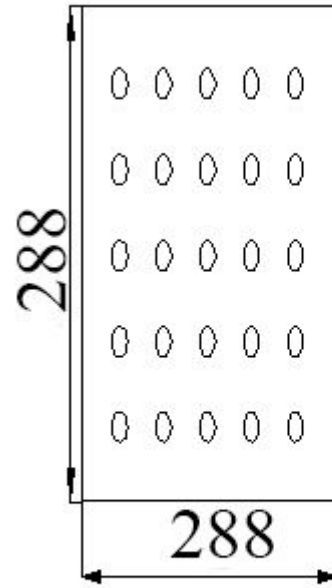
Page 5

Frequency Response Curve

Page 6

Packing

Packing



Remark:

- 1.) Each clap board: 25pcs
- 2.) Each carton: 28pcs clap board
- 3.) Each carton: 700pcs/carton
- 4.) N.W: 9.8KG, G.W: 11.8KG
- 5.) Carton size: 390 x 310 x 310mm 1pcs