

AVAILABLE THROUGH DISTRIBUTION



**BOURNS®**

# TC86 6 mm Round Trimming Potentiometer

## Features

- 6 mm Round / Single-Turn / Cermet Industrial / Open Frame
- Cross slot adjustment options
- Horizontal and vertical mounting styles
- Dust resistant/splash resistant covers
- Front and top adjust styles
- RoHS compliant\*

## Electrical Characteristics

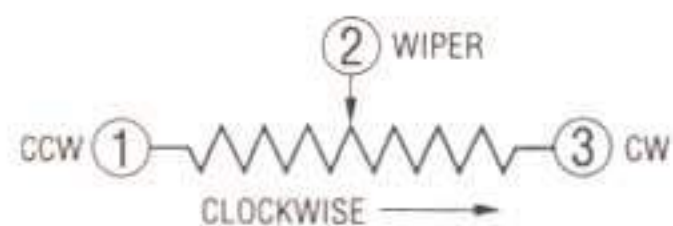
Standard Resistance Range .....100 ohms to 1 megohm  
(see standard resistance table)  
Resistance Tolerance .....±20 % std.  
(tighter tolerance available)  
Absolute Minimum Resistance  
≤ 500 Ohms .....10 ohms max.  
> 500 Ohms .....2 % max. of TR  
Contact Resistance Variation .....5 % max.  
Resolution .....Infinite  
Adjustment Angle .....240 ° ±20 °

## Environmental Characteristics

Power Rating (100 VDC max.)  
70 °C .....0.3 watt  
Temperature Range .....-30 °C to +85 °C  
Temperature Coefficient .....±250 ppm/°C  
Humidity .....95 % RH  
TRS ±5 %  
Load Life .....500 hours @ 70 °C  
TRS ±5 %  
Rotational Cycling .....50 cycles  
TRS ±10 %

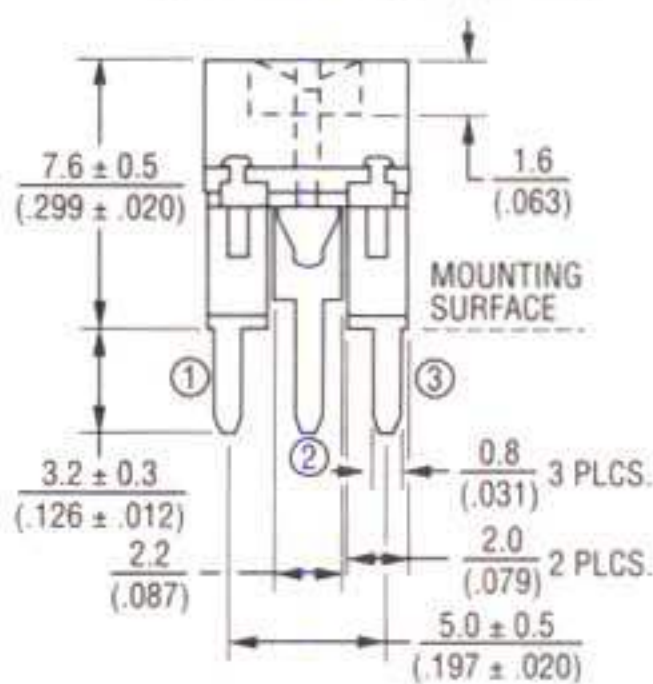
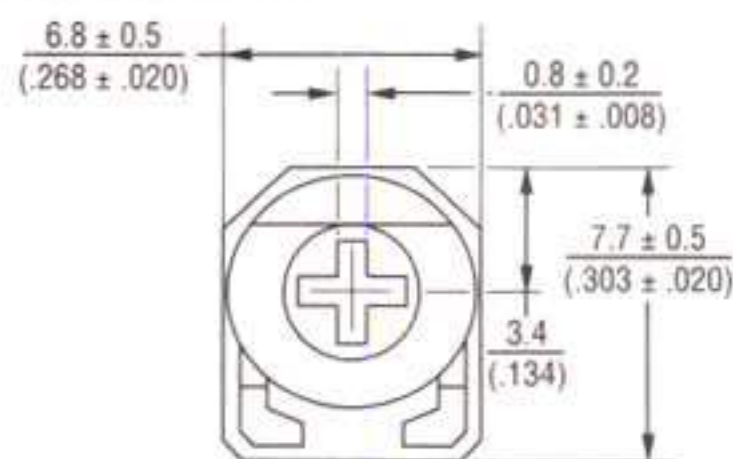
## Physical Characteristics

Torque .....30-300 gf-cm  
Mechanical Angle .....240 ° ±20 °  
Marking .....Part marking code  
Standard Packaging .....200 pcs./bag  
Adjustment Tool .....H-90  
Aqueous cleaning not recommended

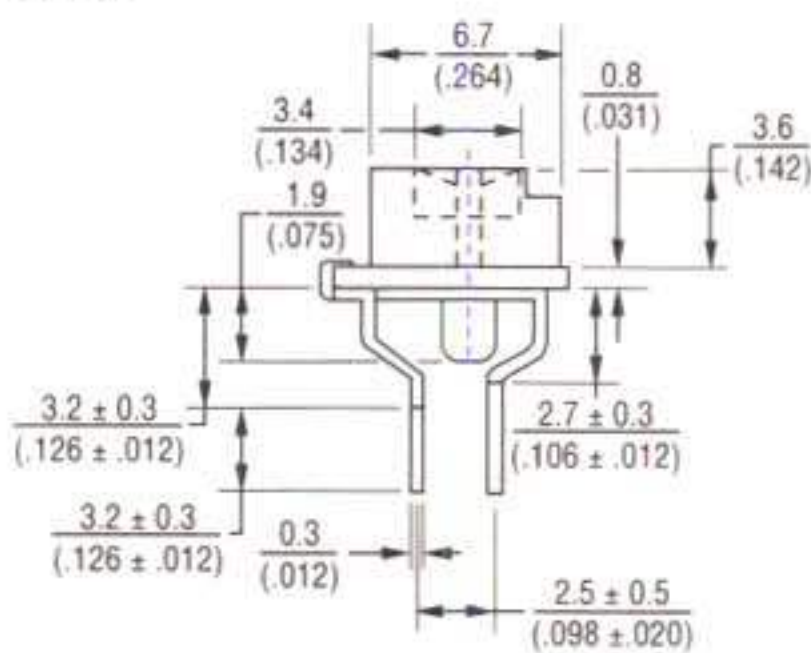


## Product Dimensions

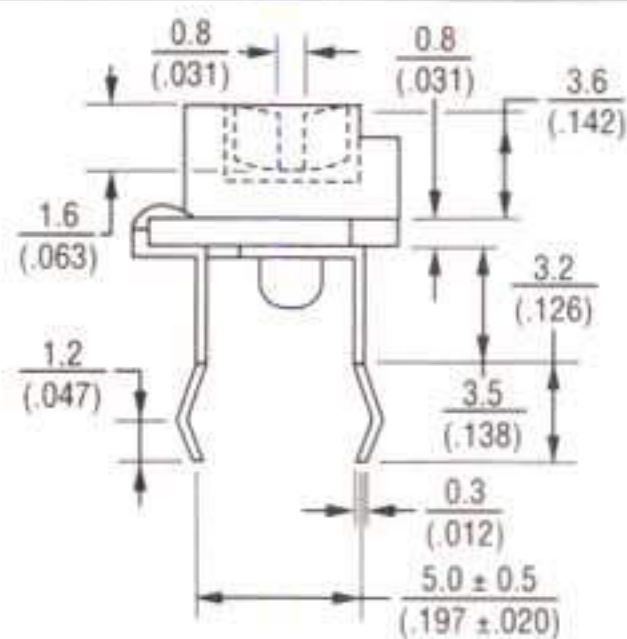
### Top Adjust Common Dimensions



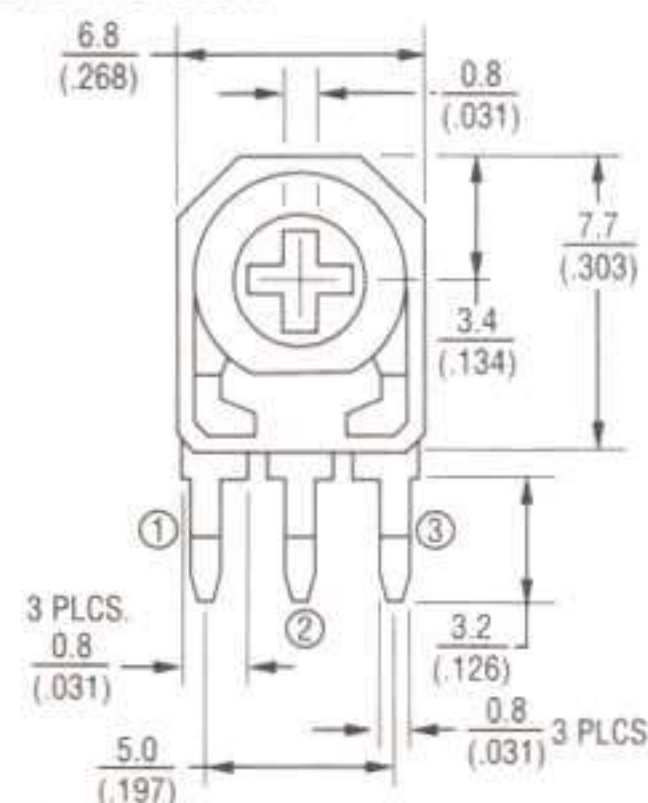
### TC86P



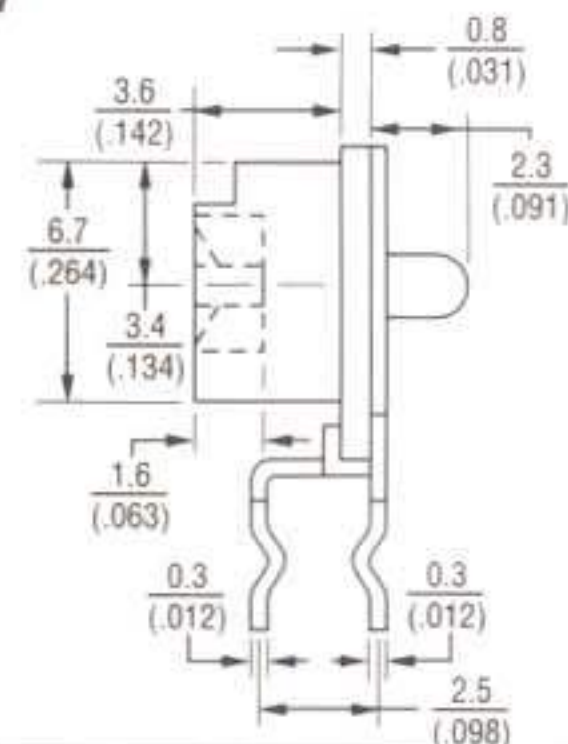
### TC86F



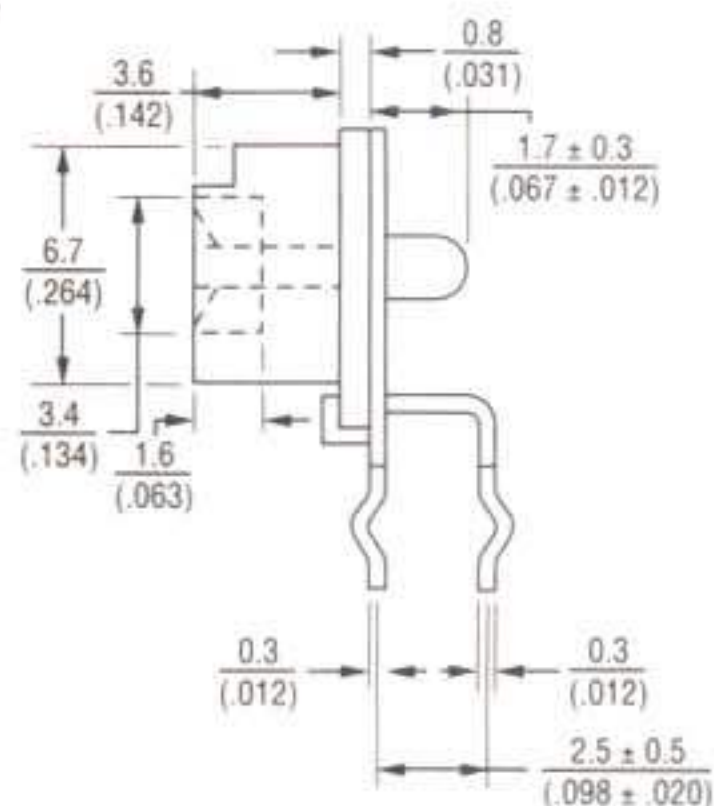
### Side Adjust Common Dimensions



### TC86W



### TC86K



DIMENSIONS: MM/(INCHES)  
TOLERANCES: ±.25/(±.010) EXCEPT WHERE NOTED

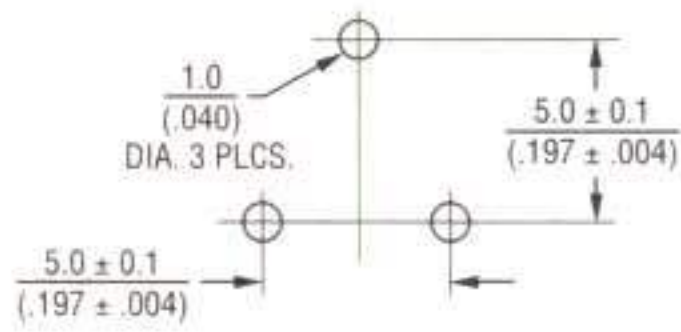
**OBSOLETE**

Specifications are subject to change without notice.  
\*RoHS Directive 2002/95/EC Jan 27 2003 including Annex.  
Customers should verify actual device performance in their specific applications.  
REV 09/04

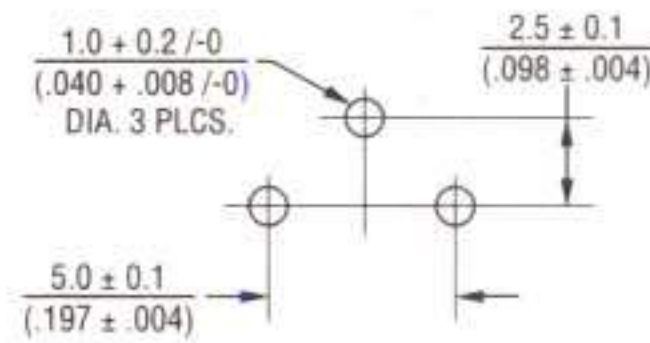


# TC86 – Suggested PCB Layout and Ordering Information

## Suggested PCB Layout – Style F



## Suggested PCB Layout – Styles K, P, W



## Standard Resistance Table

Resistance (Ohms)	Resistance Code
<b>100</b>	<b>101</b>
<b>200</b>	<b>201</b>
<b>500</b>	<b>501</b>
<b>1,000</b>	<b>102</b>
<b>2,000</b>	<b>202</b>
<b>5,000</b>	<b>502</b>
<b>10,000</b>	<b>103</b>
<b>20,000</b>	<b>203</b>
<b>50,000</b>	<b>503</b>
<b>100,000</b>	<b>104</b>
<b>200,000</b>	<b>204</b>
<b>500,000</b>	<b>504</b>
<b>1,000,000</b>	<b>105</b>

Popular distribution resistance values listed in **boldface**.

## How To Order

**TC86 W - 1 - 103**

Model \_\_\_\_\_  
 Style \_\_\_\_\_  
 Standard Product Indicator \_\_\_\_\_  
 Resistance Code \_\_\_\_\_

OBSOLETE

Specifications are subject to change without notice. Customers should verify actual device performance in their specific applications.