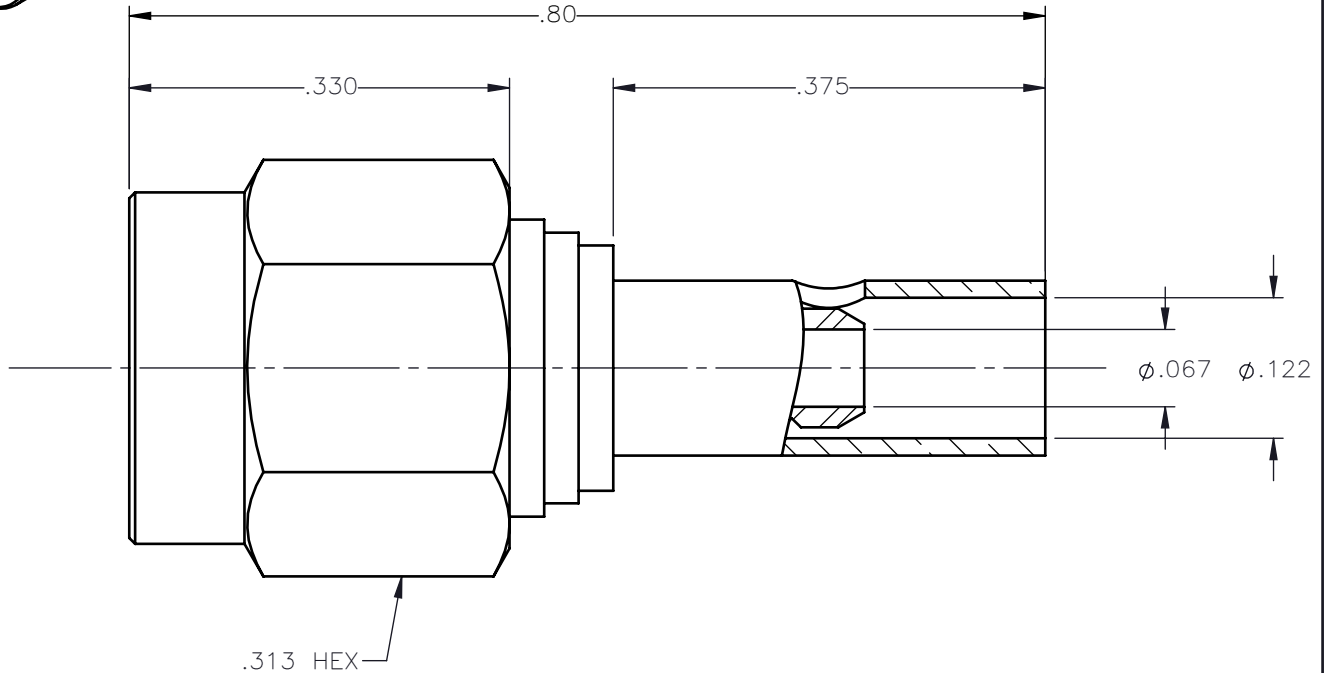
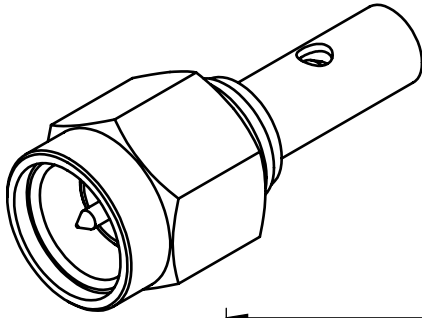


REVISIONS			
REV.	DESCRIPTION	DATE	APPROVED
A	INITIAL RELEASE	05/24/16	N.D.






NOTES:

MATERIALS:

1. BODY & COUPLING NUT = STAINLESS STEEL PER ASTM A582, ALLOY 303, CONDITION "A".
2. INSULATOR = VIRGIN WHITE TEFLON PER ASTM D1710, GRADE 1, TYPE I, CLASS "B".
3. CONTACT & RETAINING RING = BERYLLIUM COPPER PER ASTM B196, ALLOY C17300, TEMPER TD04.
4. CRIMP SLEEVE = SEAMLESS LOWLEAD BRASS TUBE, ALLOY 330, SOFT ANNEAL TEMPER, .025/.060 GRAIN SIZE OR SEAMLESS COPPER TUBE PER ASTM B75, TYPE C12000, TEMPER: LIGHT ANNEAL 050 EXCEPT YIELD STRENGTH.
5. GASKET = SILICONE RUBBER PER ZZ-R-765, CLASS 2B, GRADE 65-75.
6. SHRINK SLEEVE = THERMOFIT SCL (NOT SHOWN)

FINISHES:

1. BODY = GOLD PLATE PER ASTM B488-11, TYPE II, 30 μ in MIN, GRADE C, OVER 50 TO 100 μ in STRESS FREE NICKEL PER AMS-QQ-N-290.
2. CONTACT = GOLD PLATE PER ASTM B488-11, TYPE II, 50 μ in MIN, GRADE C, OVER 100 TO 200 μ in STRESS FREE SULFAMATE NICKEL PER AMS-QQ-N-290.
3. CRIMP SLEEVE = GOLD PLATE PER ASTM B488-11, TYPE II, 30 μ in MIN, GRADE C OVER 100 TO 200 μ in COPPER STRIKE PER AMS 2418.
4. COUPLING NUT = PASSIVATE PER SAE-AMS-2700

UNLESS OTHERWISE SPECIFIED DIMENSIONS ARE IN INCHES TOLERANCES ON	DWN:	DATE		Property of Radiall			
	N.D.	05/24/16		This document cannot be reproduced or communicated to a third party without prior written permission of RADIALL.			
DECIMAL	ANGLE	CHKD:	DATE	SMA STRAIGHT PLUG CRIMP TYPE FOR RG-316 & SIMILAR CABLES			
		D.N.	05/24/16				
		APVD:	DATE	SIZE	FSCM NO.	DWG NO.	REV
		J.M.	05/24/16	A	19505	9001-1033-003	A
REFERENCE:	MATERIAL & FINISHES:		SCALE		THIRD ANGLE PROJECTION		SHEET 1 OF 1
ORIGINATED: N.D. DATE: 05/24/16	SEE NOTES		6:1				

9001-1033-003