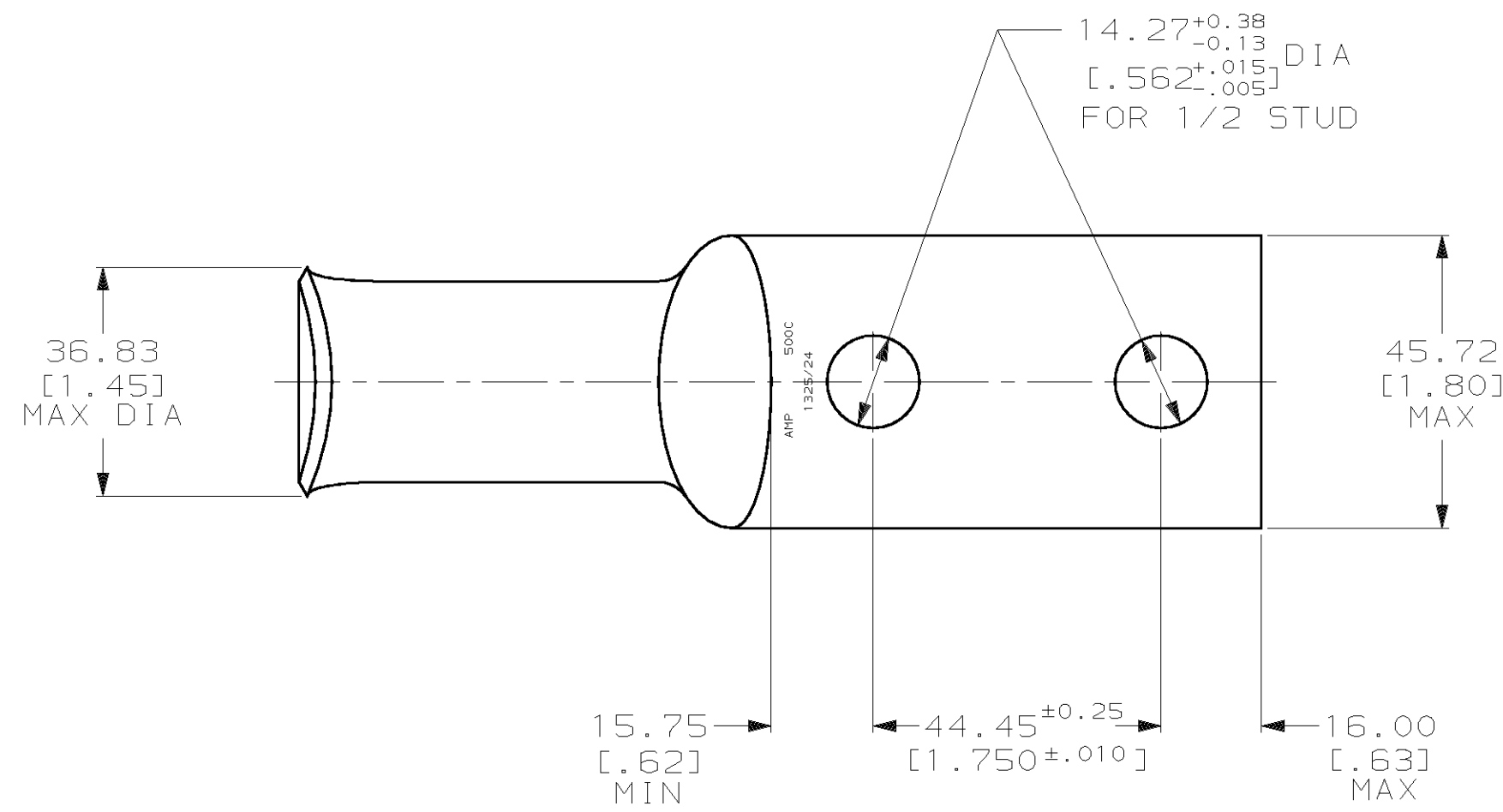
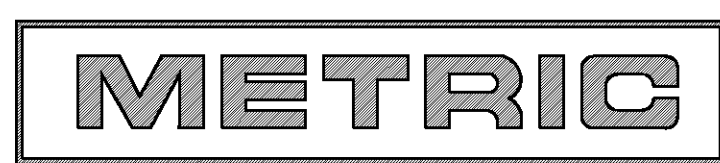
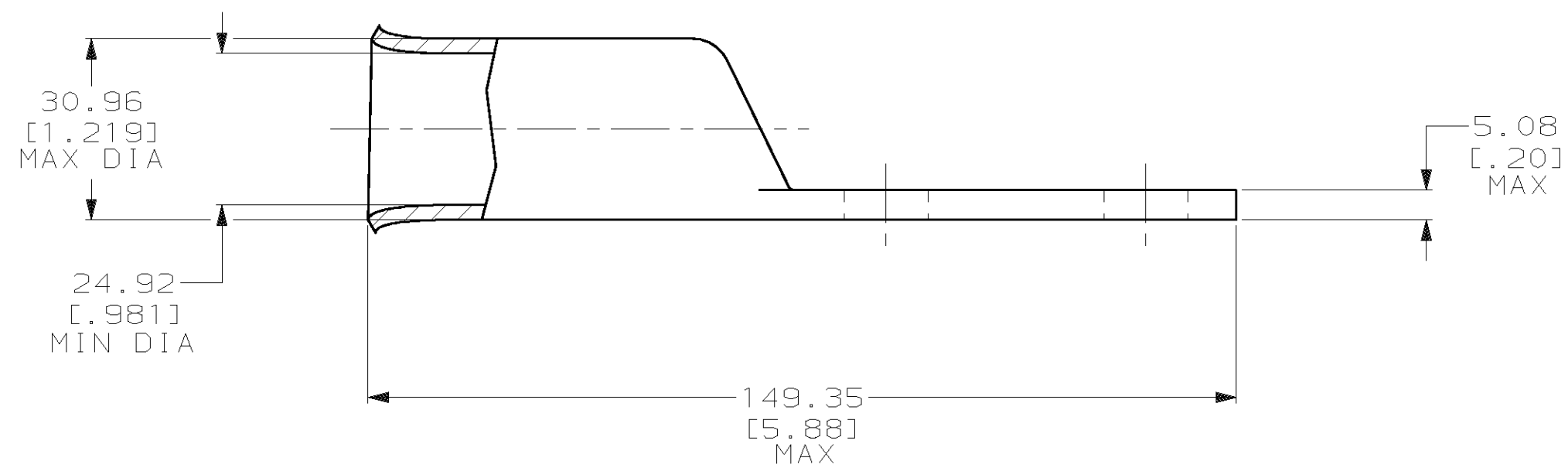


THIS DRAWING IS UNPUBLISHED. RELEASED FOR PUBLICATION, 19 .  
 © COPYRIGHT 19 BY AMP INCORPORATED. ALL INTERNATIONAL RIGHTS RESERVED.

LOC		DIST		P		F		ZONE		LTR		REVISIONS		DATE	APPD
G		86													
												F	REV PER 063A-0561-01	030CT02	JR/MS



1 CIRCULAR MIL RANGE: 450-550 MCM  
 2 TIN PL 0.00381 [0.00150] MIN THK PER MIL-T-10727



DO NOT SCALE PRINT. UNLESS SPECIFIED DIMENSIONS IN mm [INCHES] TOLERANCES ON : 2 PLC DEC ± 0.51 [0.020] 3 PLC DEC ± - ANGLES ± -		DR 02/28/90 DK SCHRUM	53642-2 PART NO	
MATERIAL ANNEALED COPPER ASTM B-75	CHK 24JAN95 MS FEHER	APPD 24JAN95 WJ VOCKROTH	AMP AMP INCORPORATED Harrisburg, Pa. 17105	
FINISH 2	APPD 24JAN95 TL SHUTTER	PRODUCT SPEC 108-30200	NAME TERMINAL, AMPOWER, WIRE SIZE: 500 MCM	
WEIGHT .572 LB	APPLICATION SPEC -	SIZE C	CAGE CODE 00779	DRAWING NO 53642
		SCALE 1:1		SHEET 1 OF 1