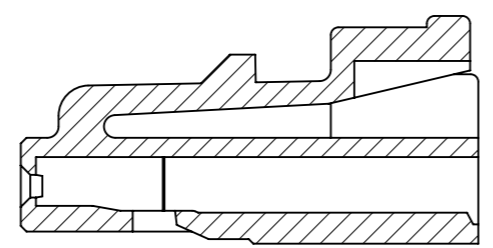
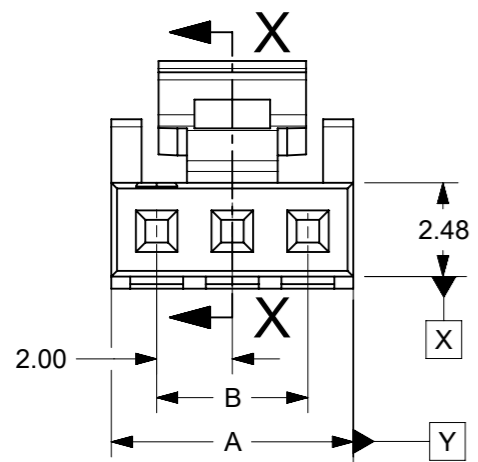
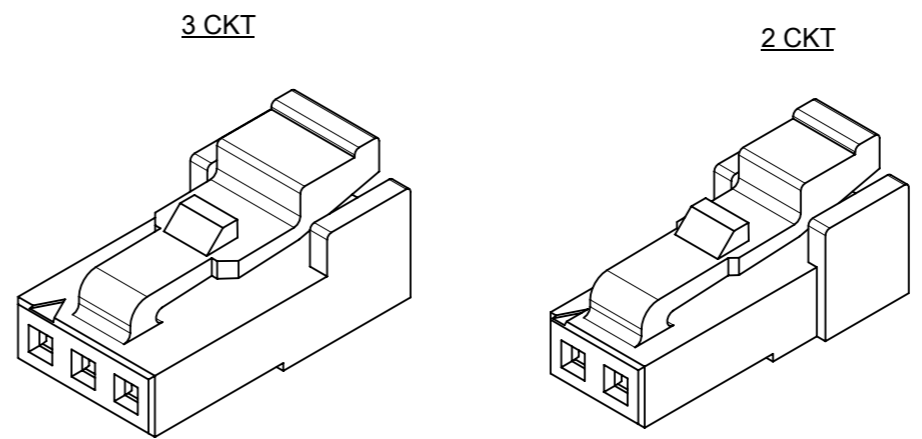
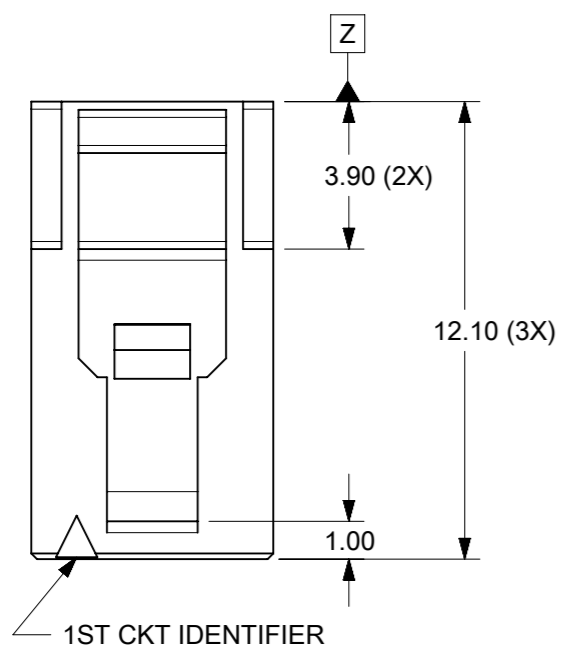
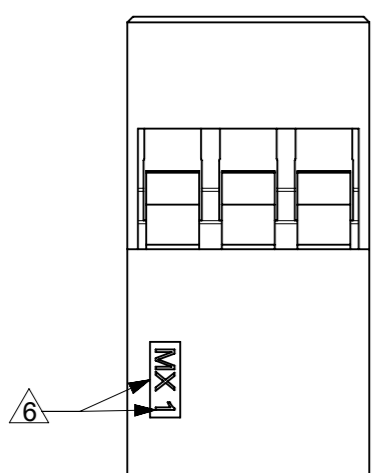
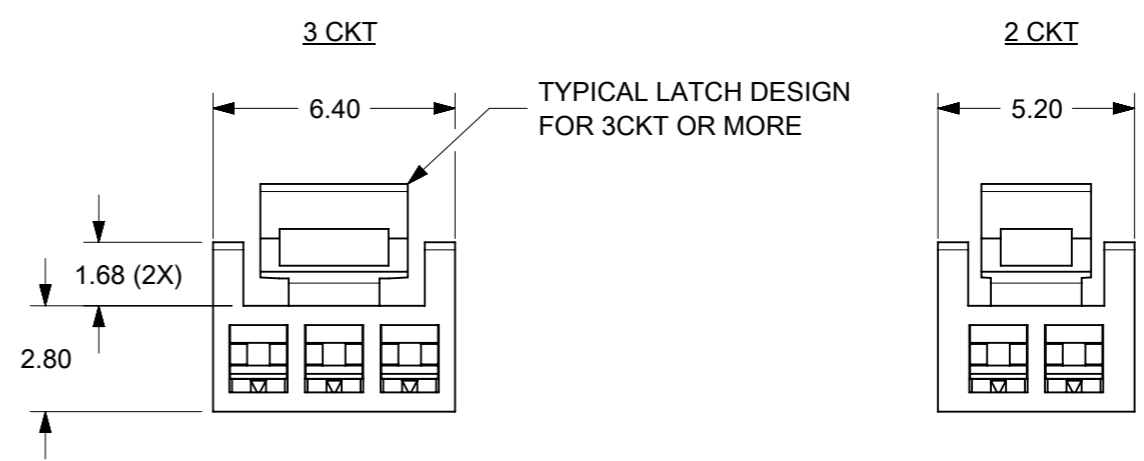


MATERIAL NO.	CKT SIZE	DIM A	DIM B
1511000002	2	5.20	2.00
1511000003	3	6.40	4.00
1511000004	4	8.40	6.00
1511000005	5	10.40	8.00
1511000006	6	12.40	10.00
1511000007	7	14.40	12.00
1511000008	8	16.40	14.00
1511000009	9	18.40	16.00
1511000010	10	20.40	18.00



SECTION X-X

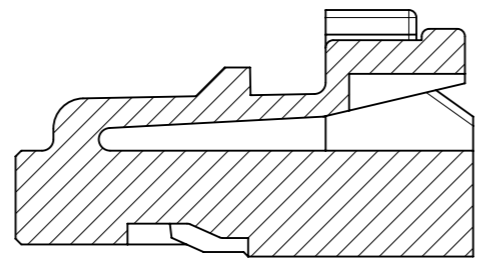
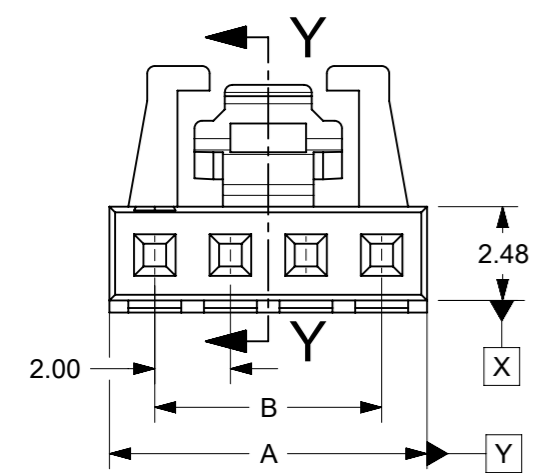
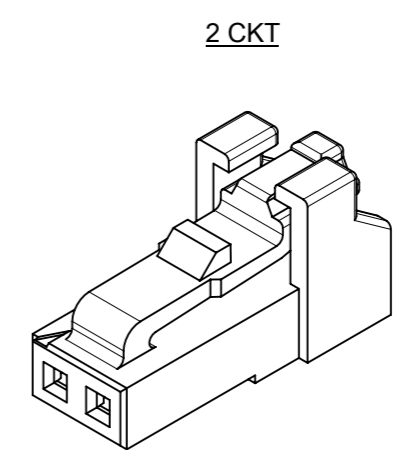
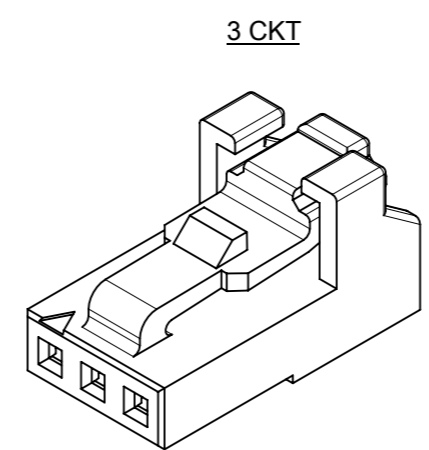
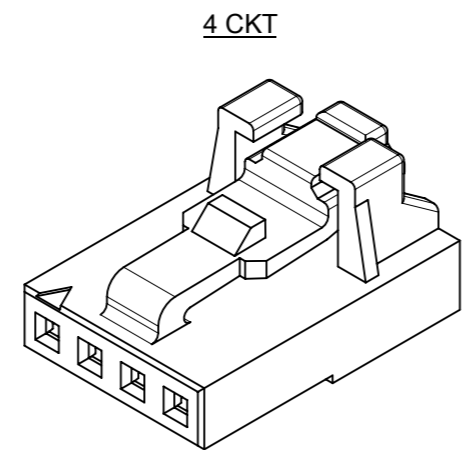
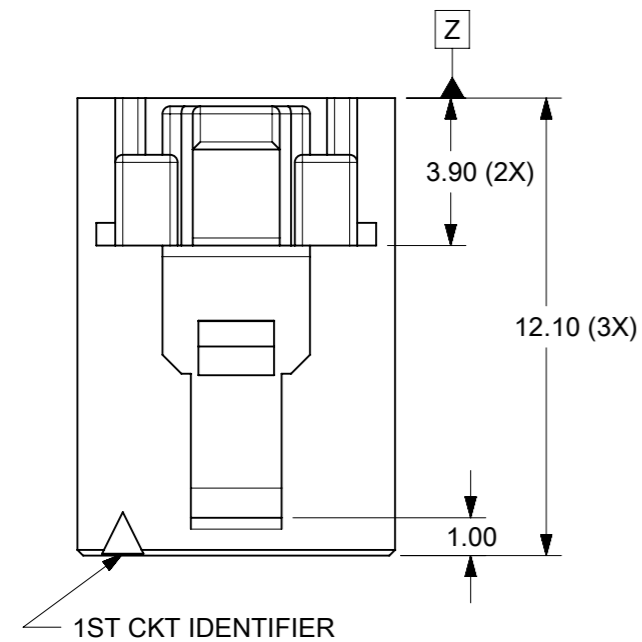


- NOTES:
1. MATERIAL: NON GLASS FILLED THERMOPLASTIC, BLACK, UL94V-0.
 2. PRODUCT SPECIFICATIONS: PS-151062-0001.
 3. PACKAGING: TRAY.
PACKAGING SPECIFICATION: PK-151100-0001.
 4. HOUSING TO BE ASSEMBLED WITH MOLEX FEMALE CRIMP TERMINAL: 50394-****.
 5. HOUSING TO BE MATED WITH MOLEX PCB HEADER AND CRIMP HEADER SERIES: 151062, 151063, 151064, 151065, 151098
 6. MANUFACTURER ID AND CAVITY NO. IS LOCATED APPROXIMATELY AS SHOWN.

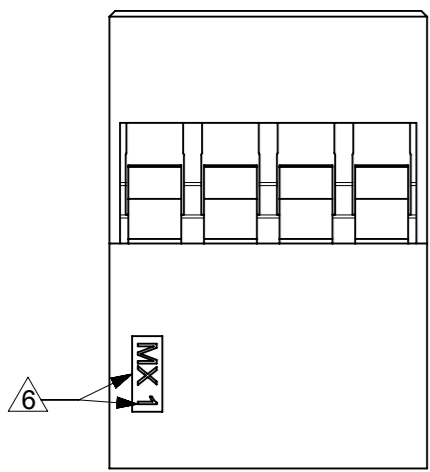
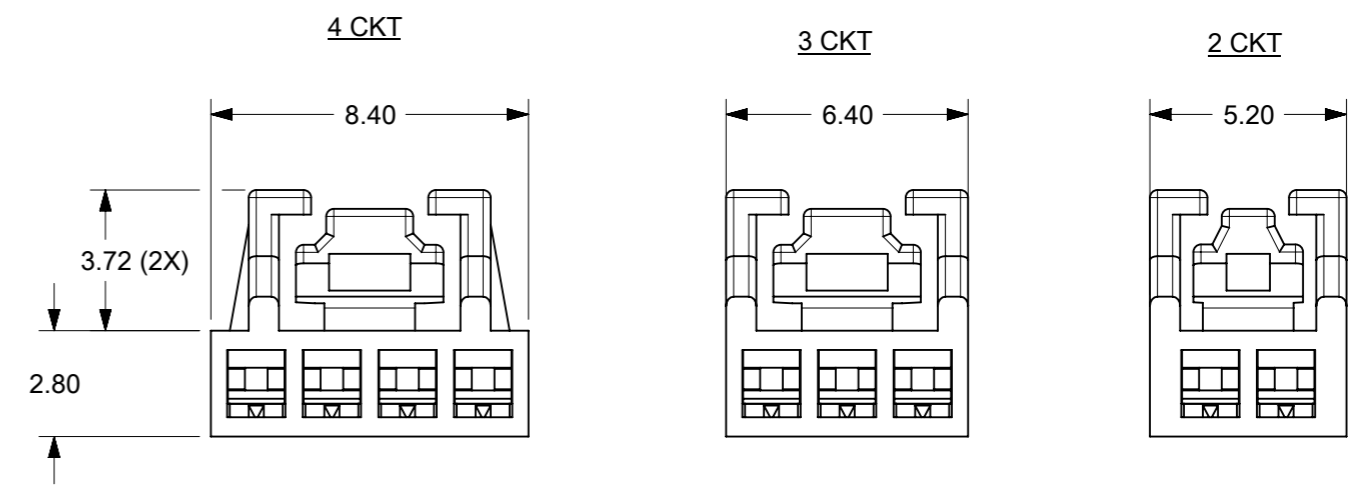
FUNCTIONAL SYMBOLS	THIS DRAWING CONTAINS INFORMATION THAT IS PROPRIETARY TO MOLEX ELECTRONIC TECHNOLOGIES, LLC AND SHOULD NOT BE USED WITHOUT WRITTEN PERMISSION	CURRENT REV DESC: REMASTERED IN ECTR AND ADDED SHEET 2																														
	<table border="1"> <tr> <th>FUNCTIONAL SYMBOLS</th> <th>DIMENSION UNITS</th> <th>SCALE</th> </tr> <tr> <td>$\nabla_A = 0$</td> <td>mm</td> <td>NTS</td> </tr> <tr> <td colspan="3">GENERAL TOLERANCES (UNLESS SPECIFIED)</td> </tr> <tr> <td>$\nabla_E = 0$</td> <td colspan="2">ANGULAR TOL $\pm 3.0^\circ$</td> </tr> <tr> <td>$\nabla_P = 0$</td> <td colspan="2">4 PLACES \pm</td> </tr> <tr> <td></td> <td colspan="2">3 PLACES \pm</td> </tr> <tr> <td></td> <td colspan="2">2 PLACES ± 0.2</td> </tr> <tr> <td></td> <td colspan="2">1 PLACE \pm</td> </tr> <tr> <td></td> <td colspan="2">0 PLACES \pm</td> </tr> </table>	FUNCTIONAL SYMBOLS	DIMENSION UNITS				SCALE	$\nabla_A = 0$	mm	NTS	GENERAL TOLERANCES (UNLESS SPECIFIED)			$\nabla_E = 0$	ANGULAR TOL $\pm 3.0^\circ$		$\nabla_P = 0$	4 PLACES \pm			3 PLACES \pm			2 PLACES ± 0.2			1 PLACE \pm			0 PLACES \pm		EC NO: 708408 DRWN: PAWANC 2022/04/29 CHK'D: DANUSA 2022/05/27 APPR: MRAMAKRISHNA 2022/05/30
FUNCTIONAL SYMBOLS	DIMENSION UNITS	SCALE																														
$\nabla_A = 0$	mm	NTS																														
GENERAL TOLERANCES (UNLESS SPECIFIED)																																
$\nabla_E = 0$	ANGULAR TOL $\pm 3.0^\circ$																															
$\nabla_P = 0$	4 PLACES \pm																															
	3 PLACES \pm																															
	2 PLACES ± 0.2																															
	1 PLACE \pm																															
	0 PLACES \pm																															
DIVISIONAL SYMBOLS	DRAFT WHERE APPLICABLE MUST REMAIN WITHIN DIMENSIONS		THIRD ANGLE PROJECTION 	DRAWING A3-SIZE	SERIES 151100	DOCUMENT NUMBER SD-151100-0001	DOC TYPE PSD	DOC PART 001	REVISION B																							
MATERIAL NUMBER SEE TABLE		CUSTOMER GENERAL MARKET		SHEET NUMBER 1 OF 2																												

WITH LATCH STOPPER

MATERIAL NO.	CKT SIZE	DIM A	DIM B
1511000102	2	5.20	2.00
1511000103	3	6.40	4.00
1511000104	4	8.40	6.00
1511000105	5	10.40	8.00
1511000106	6	12.40	10.00
1511000107	7	14.40	12.00
1511000108	8	16.40	14.00
1511000109	9	18.40	16.00
1511000110	10	20.40	18.00



SECTION Y-Y



FUNCTIONAL SYMBOLS	THIS DRAWING CONTAINS INFORMATION THAT IS PROPRIETARY TO MOLEX ELECTRONIC TECHNOLOGIES, LLC AND SHOULD NOT BE USED WITHOUT WRITTEN PERMISSION		
	DIMENSION UNITS: mm SCALE: NTS	CURRENT REV DESC: REMASTERED IN ECTR AND ADDED SHEET 2	
DIVISIONAL SYMBOLS	GENERAL TOLERANCES (UNLESS SPECIFIED)		
	ANGULAR TOL ± 3.0°		
DIVISIONAL SYMBOLS	4 PLACES ±	EC NO: 708408	2022/04/29
	3 PLACES ±	DRWN: PAWANC	2022/05/27
	2 PLACES ± 0.2	CHK'D: DANUSA	2022/05/30
	1 PLACE ±	APPR: MRAMAKRISHNA	
	0 PLACES ±	INITIAL REVISION:	
DRAFT WHERE APPLICABLE MUST REMAIN WITHIN DIMENSIONS	THIRD ANGLE PROJECTION	DRAWING	SERIES
		A3-SIZE	151100
MATERIAL NUMBER		CUSTOMER	SHEET NUMBER
SEE TABLE		GENERAL MARKET	2 OF 2

molex

SALES DRAWING
CRIMP RECEPTACLE HOUSING SINGLE ROW MILLIGRID

PRODUCT CUSTOMER DRAWING

DOCUMENT NUMBER: **SD-151100-0001** | DOC TYPE: PSD | DOC PART: 001 | REVISION: B