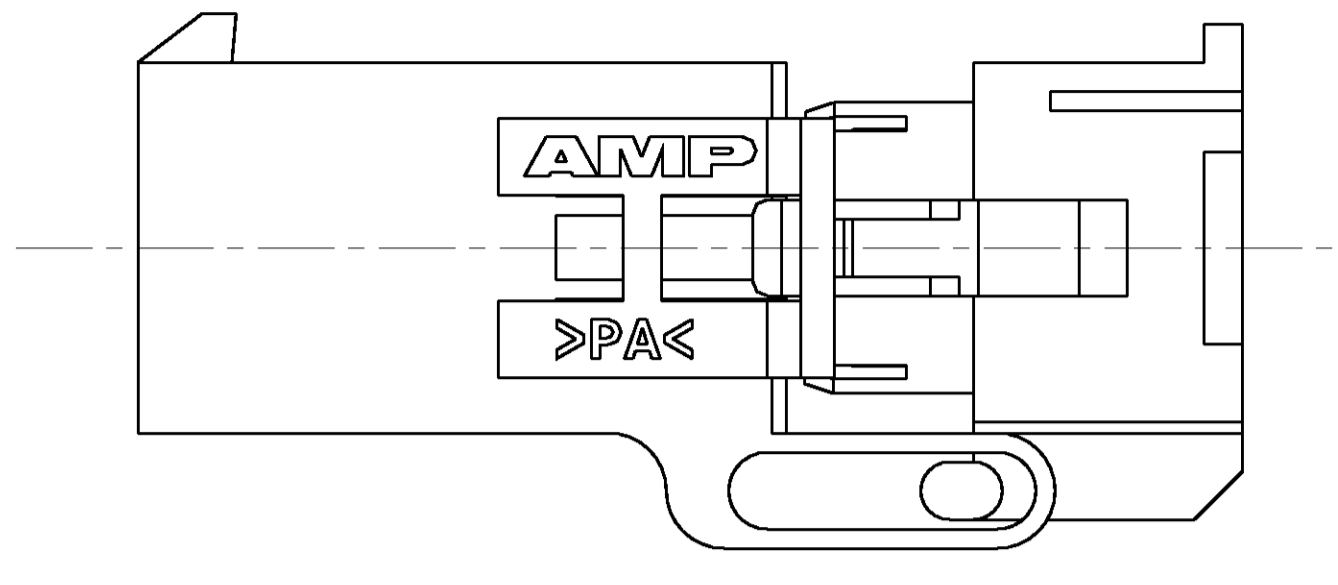
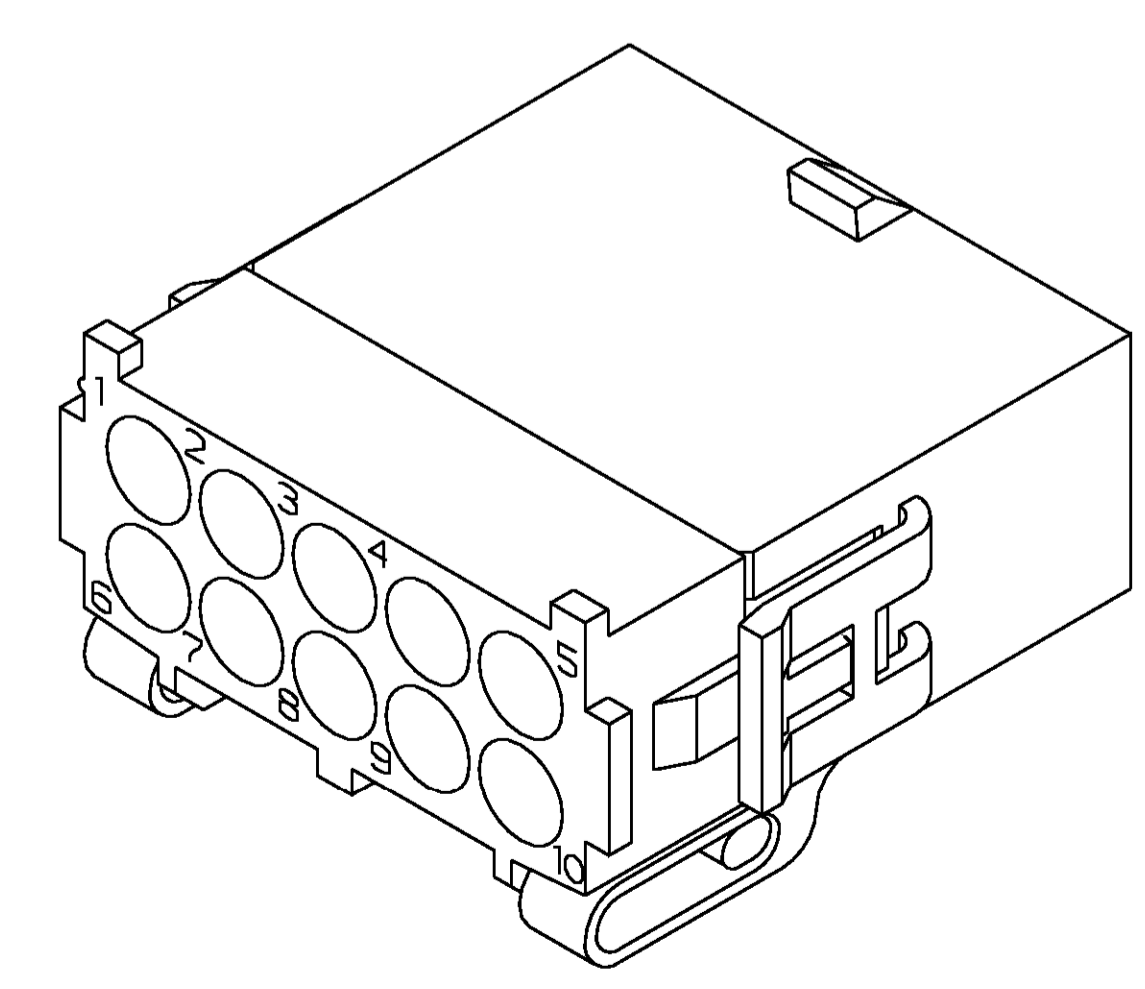
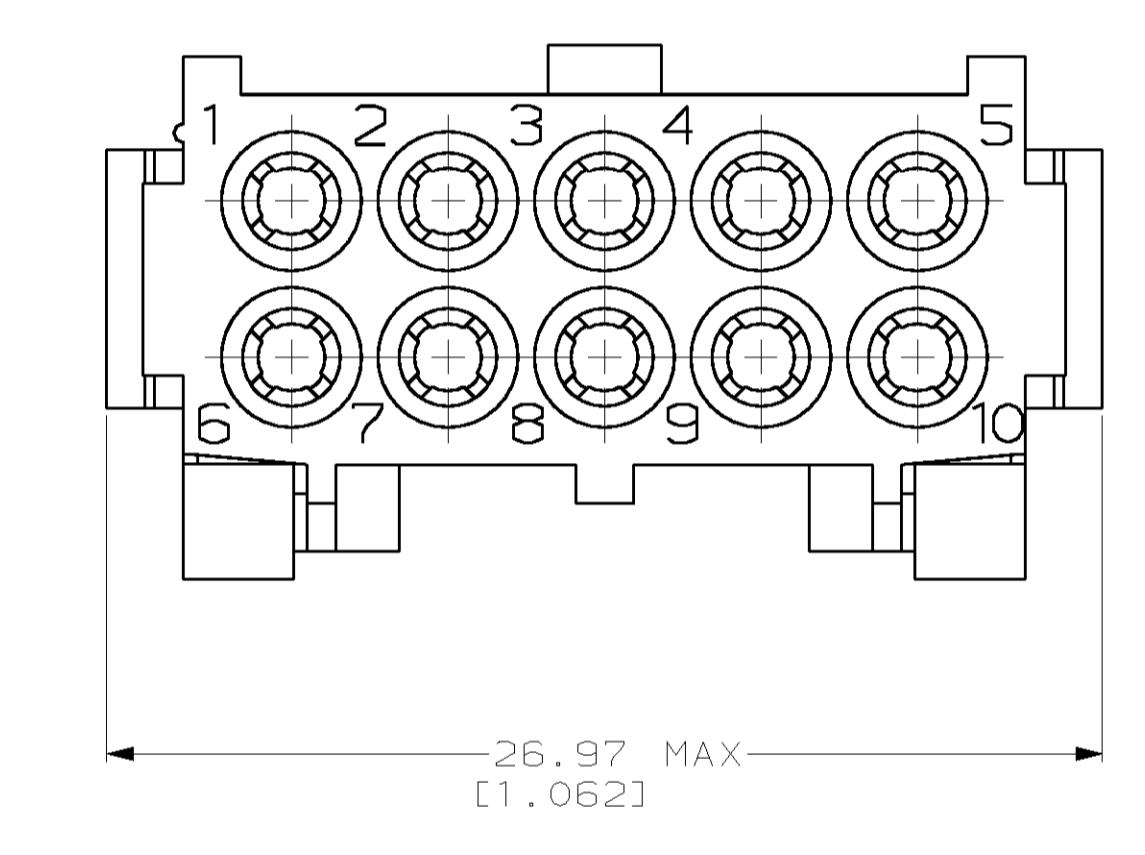
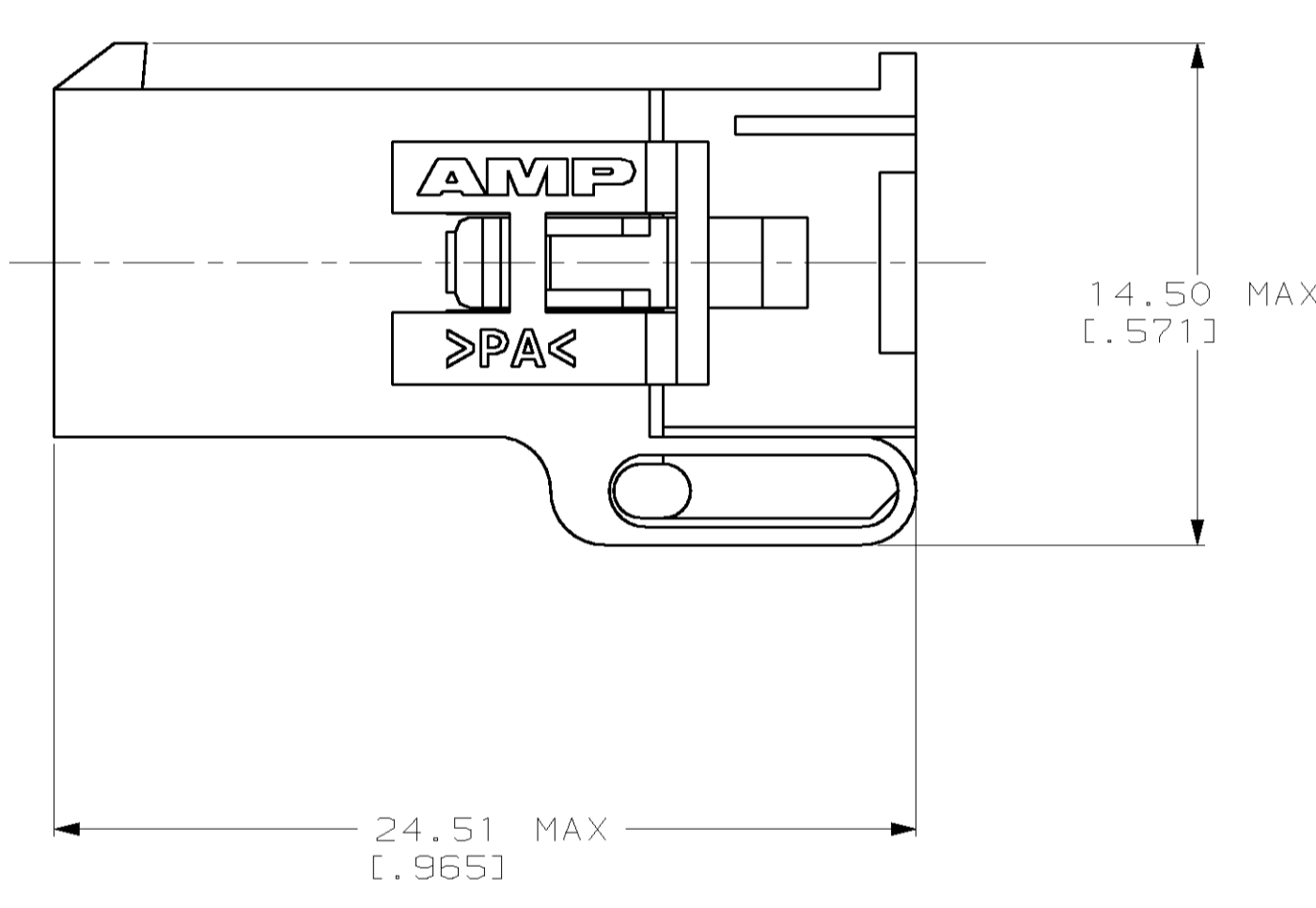
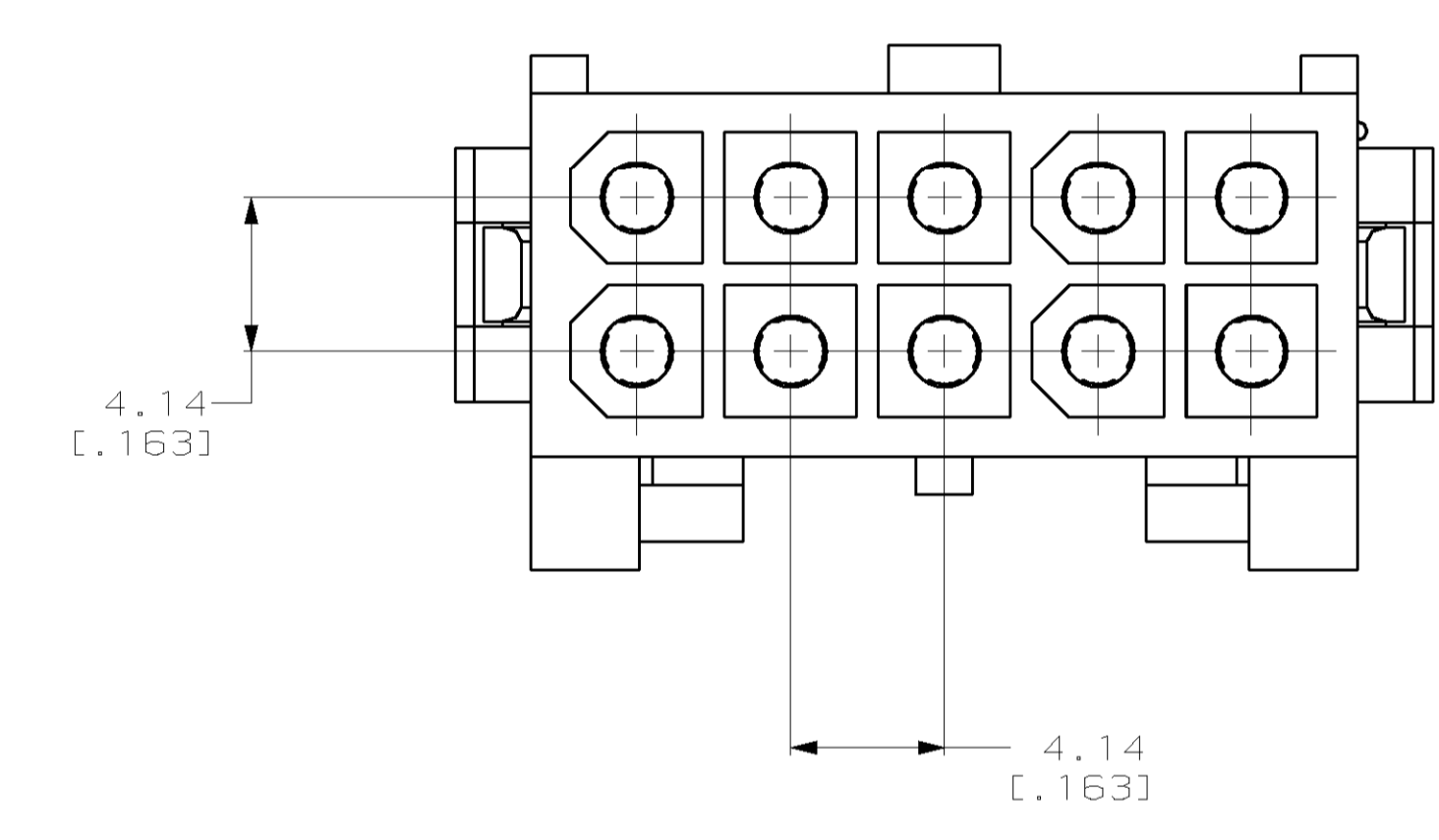


LOC	DIST	REV	PER	EC	DESCRIPTION	DATE	OWN	APVD
CM	53	B			REV PER EC 061B-0094-99	23-SEP-99	KW	KC

1. DIMENSIONS IN BRACKETS ARE IN INCHES.



PRE-STAGED CONDITION



3-DIMENSIONAL MODEL  
NTS

794197-1  
PART NUMBER



THIS DRAWING IS A CONTROLLED DOCUMENT.		DWN K. WHITAKER	5-14-97	<b>AMP</b> AMP Incorporated Harrisburg, PA 17105-3608
		CHK R. SWING	5-14-97	
DIMENSIONS:		APVD S. ORSTAD	5-14-97	NAME CAP, 10 CIRCUIT, MINI UNIVERSAL MATE-N-LOK™ 2
TOLERANCES UNLESS OTHERWISE SPECIFIED:		PRODUCT SPEC		SIZE CAGE CODE DRAWING NO
0 PLC	±	APPLICATION SPEC		RESTRICTED TO
1 PLC	±	MATERIAL NYLON, UL 94V-0, NATURAL		A1 00779 C-794197
2 PLC	±	FINISH		CUSTOMER DRAWING
3 PLC	±0.13 [0.005]	WEIGHT		SCALE 5:1 SHEET 1 OF 1 REV B
4 PLC	±	UNLESS OTHERWISE SPECIFIED		