

4

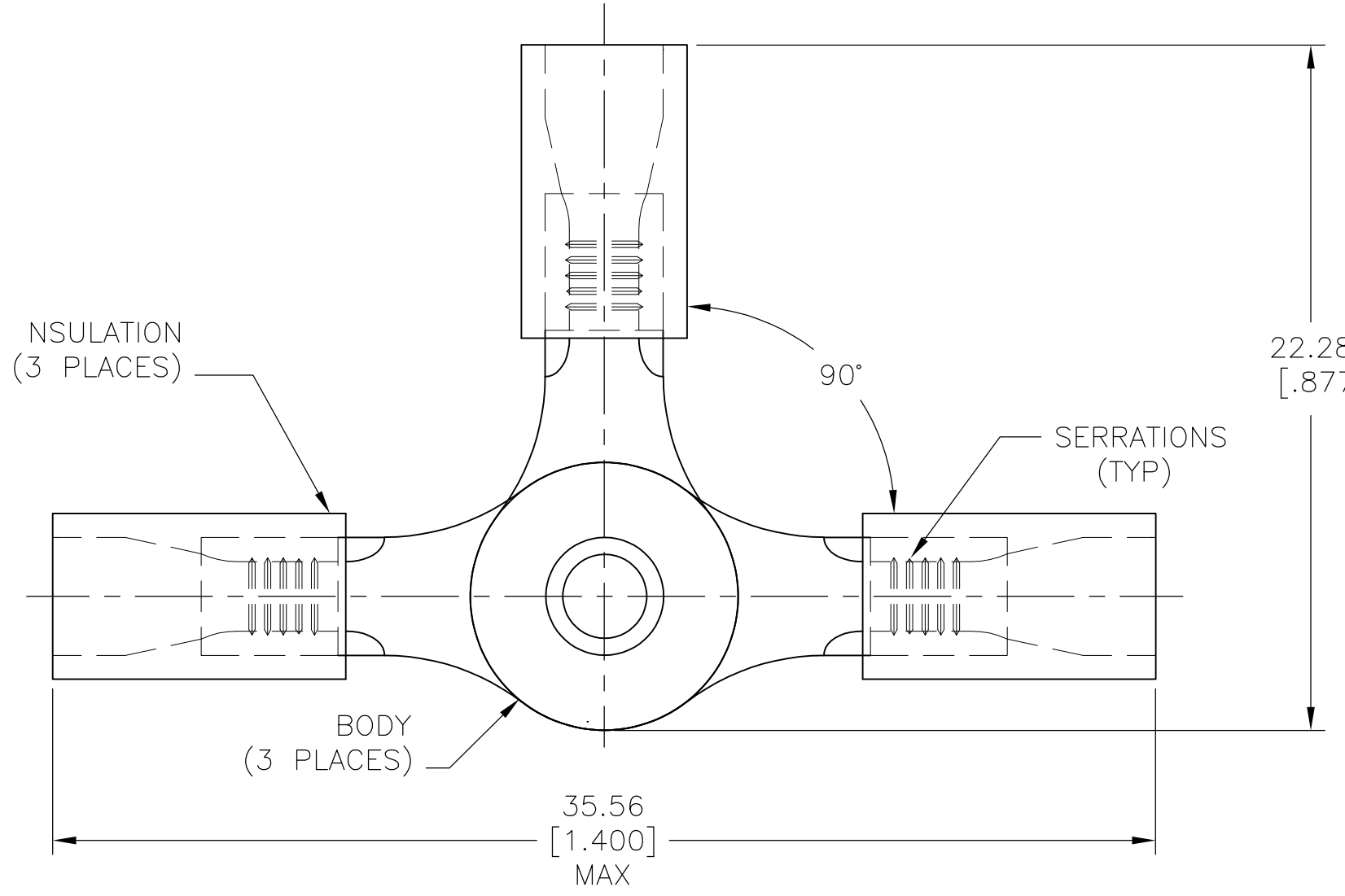
3

2

1

THIS DRAWING IS UNPUBLISHED. RELEASED FOR PUBLICATION
 © COPYRIGHT - By - ALL RIGHTS RESERVED.

LOC	DIST	REVISIONS			
P	LTR	DESCRIPTION	DATE	DWN	APVD
G	-	E1	REDRAW PER ECO-11-020548	02FEB12	KH DR



- 1 TONGUE MATERIAL THK: 0.79±0.05[.031±.002]
- 2 FOR 2.67[.105]-3.68[.145] WIRE INSULATION DIA
- 3 STAMPING MAY BE ON TOP OR BOTTOM.
- △ 4 OBSOLETE

QTY	PACKAGE TYPE	MATERIAL & FINISH	PART NO
50	LOOSE PC,BOX	INSULATION: PVC COLOR: BLUE BODY: COPPER PER ASTM B152, ANNEALED TIN PLATE PER ASTM B545	8-34073-2
1000	LOOSE PIECE	RIVET: BRASS(QQ-B-626) TIN PLATE PER ASTM B545 ANNEALED	34073

THIS DRAWING IS A CONTROLLED DOCUMENT.		DWN KIRAN HOLAL 02FEB12	STE TE Connectivity	
DIMENSIONS: mm [INCHES]		CHK ROHDE DANIEL 02FEB12		
TOLERANCES UNLESS OTHERWISE SPECIFIED:		APVD ROHDE DANIEL 02FEB12	NAME WIRE SPLICE, PLASTI GRIP, TEE CONNECTOR, WIRE SIZE 16-14	
0 PLC ± -		PRODUCT SPEC	SIZE	
1 PLC ± -		APPLICATION SPEC	CAGE CODE	
2 PLC ± -		WEIGHT	DRAWING NO	
3 PLC ± 0.203[.008]		CUSTOMER DRAWING	RESTRICTED TO	
4 PLC ± -		SCALE	SHEET	
ANGLES ± 5°		5:1	1 OF 1	
FINISH		REV	E1	
MATERIAL		A3 00779 C-34073		