

125 Series Rivet/Eyelet and Circuit Board Mount Clips for Midget (13/32") Diameter Solar Fuses RoHS



125 004

125 005

Agency Approval

Agency	Agency File Number
	E14721

Additional Information



Datasheet
125 Series



Resources
125 Series



Samples
125 Series

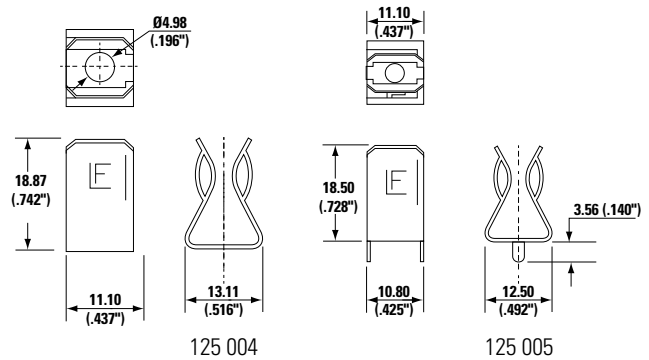
Product Characteristics

Compatible Fuse Size	13/32" Diameter Fuses
Current Level	30 Amperes Max.

Features & Benefits

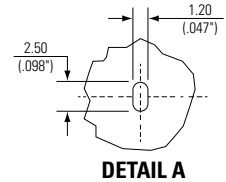
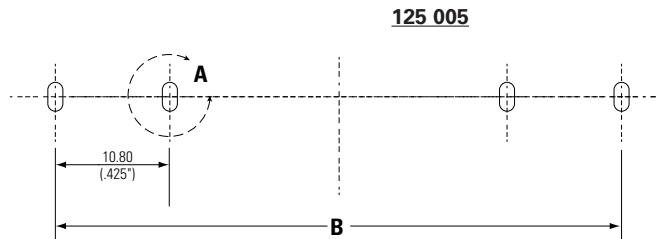
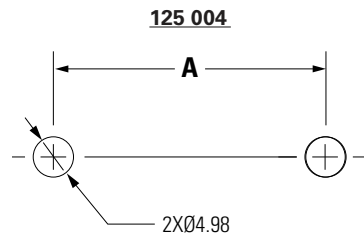
- Lead free product and RoHS compliant.
- Suitable for 13/32" diameter fuses
- Suitable for photovoltaic fuse applications
- Silver plating with antitarnish for high reliability applications
- Recognized to UL/CSA/NMX 4248-1
- Rivet mount for panel or through hole options for printed circuit boards

Product Dimensions in mm (inch)



Recommended Mounting Dimensions

Nominal Fuse Length	"A" Length	"B" Length
38	30.68	41.76
85	77.24	88.24



Soldering Parameters—Wave Soldering

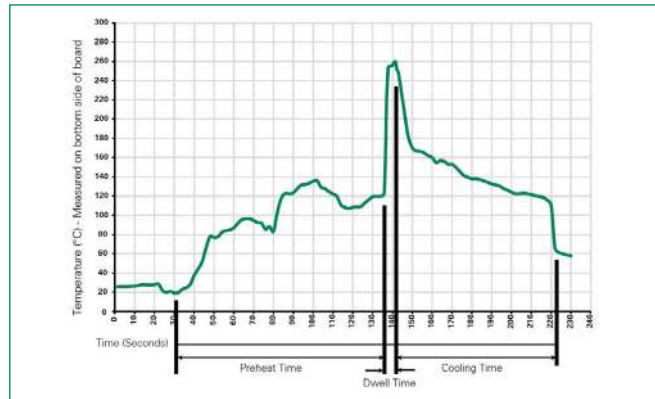
Wave Parameter	Lead-Free Recommendation
Preheat: (Depends on Flex Activation Temperature)	(Typical Industry Recommendation)
Temperature Minimum	100 °C
Temperature Maximum	150 °C
Preheat Time	60–180 seconds
Solder Pot Temperature	260 °C Maximum
Solder Dwell Time	2–5 seconds

Recommended Hand-Solder Parameters:

Solder Iron Temperature: 350 °C +/- 5 °C

Heating Time: 5 seconds max.

Note: These devices are not recommended for IR or Convection Reflow process.



Ordering Information

Part Number	Catalog No.	Clip Material	Plating	Style	Packaging
Rivet/Eyelet Mount Clips					
01250004H	125 004	Phosphor Bronze	Silver-plated with Anti-tarnish	Ear	Bulk (100 pieces)
Circuit Board Mount Clips					
01250005H	125 005	Phosphor Bronze	Silver-plated with Anti-tarnish	Ear	Bulk (100 pieces)