

MATERIALS AND FINISHES

COUPLING SLEEVE: BRASS
PLATED NICKEL

BODY: BRASS
PLATED TRI-M3

RETENTION CAP: BRASS
PLATED TRI-M3

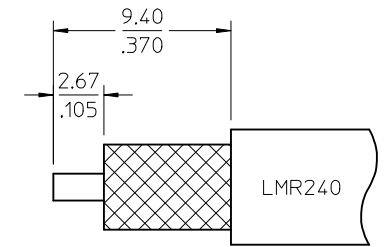
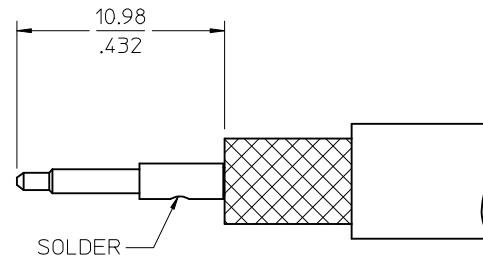
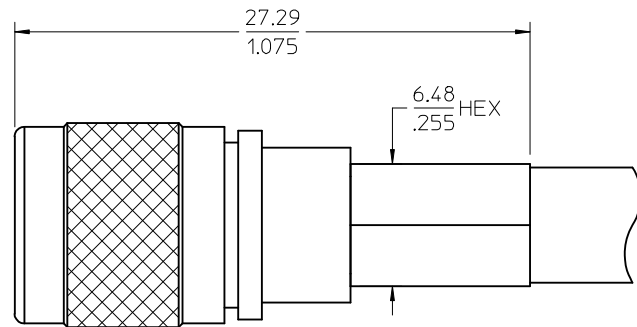
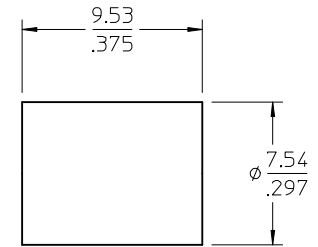
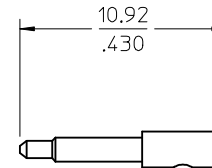
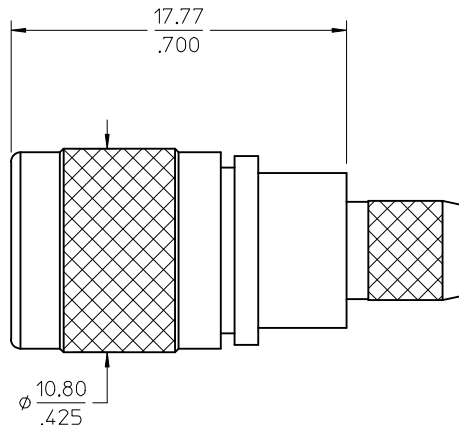
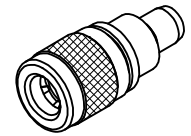
INSULATORS: TEFLON

RETENTION SPRING: STAINLESS STEEL
PASSIVATED

GROUND SPRING: BERYLLIUM COPPER
PLATED GOLD

CONTACT: BRASS
PLATED GOLD

CRIMP TUBE: BRASS
PLATED NICKEL



RECOMMENDED CABLE STRIP DIMENSION

73254-0071	ONE PER BAG
73254-0070	TRAY
PART NO	PACKAGING

CHG: UPDATE PACKAGING FOR 73254-0070 PER RF15-E211
 EC NO: URF2015-0657
 DRWNR: YEH
 CHKD: B3
 APPR: YCHENG
 2015/05/25
 2015/05/29

REV	DESCRIPTION
▽=0	QUALITY SYMBOLS
▽=0	
▽=0	

GENERAL TOLERANCES (UNLESS SPECIFIED)	
mm	INCH
4 PLACES ± .005	± .0004
3 PLACES ± .003	± .0001
2 PLACES ± .002	± .0001
1 PLACE ± .001	± .0001
0 PLACE ± .000	± .0001
ANGULAR ± 2 °	
DRAFT WHERE APPLICABLE MUST REMAIN WITHIN DIMENSIONS	

DIMENSION STYLE	
MM/IN	
DRAWN BY	DATE
SSS	2003/10/01
CHECKED BY	DATE
TEF	2003/10/01
APPROVED BY	DATE
GMH	2003/10/01
MATERIAL NO.	DOCUMENT NO.
SEE TABLE	SD-73254-007
SIZE C	THIS DRAWING CONTAINS INFORMATION THAT IS PROPRIETARY TO MOLEX INCORPORATED AND SHOULD NOT BE USED WITHOUT WRITTEN PERMISSION

SCALE	DESIGN UNITS	THIRD ANGLE PROJECTION
5:1	INCH	
TITLE		
QMA PLUG STRAIGHT LMR240 50 OHM QMA-PC, EWR-4121		
molex		
DOCUMENT NO.		SHEET NO.
SD-73254-007		1 OF 1