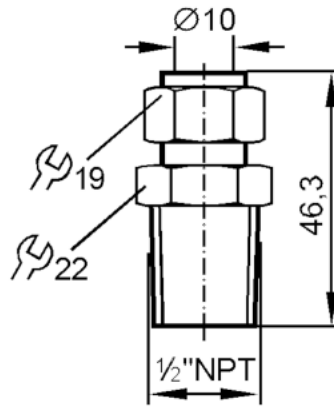


E40174



Clamp fitting for process sensors

CLAMP ADAPTER D10 1/2 NPT



Application	
Design	for flow sensors Ø 10 mm
Application	for industrial applications
Installation	Clamp fitting
Media	liquids and gases
Pressure rating [bar]	300
Operating conditions	
Ambient temperature [°C]	-25...80
Tests / approvals	
Pressure Equipment Directive EAC	The adapter is intended for use in devices, machines and installations that do not fall under the categories of the technical rule TR CU 032/2013.
Mechanical data	
Weight [g]	80.5
Materials	stainless steel
Sensor connection	Ø 10 mm
Process connection	threaded connection 1/2" NPT
Remarks	
Pack quantity	1 pcs.