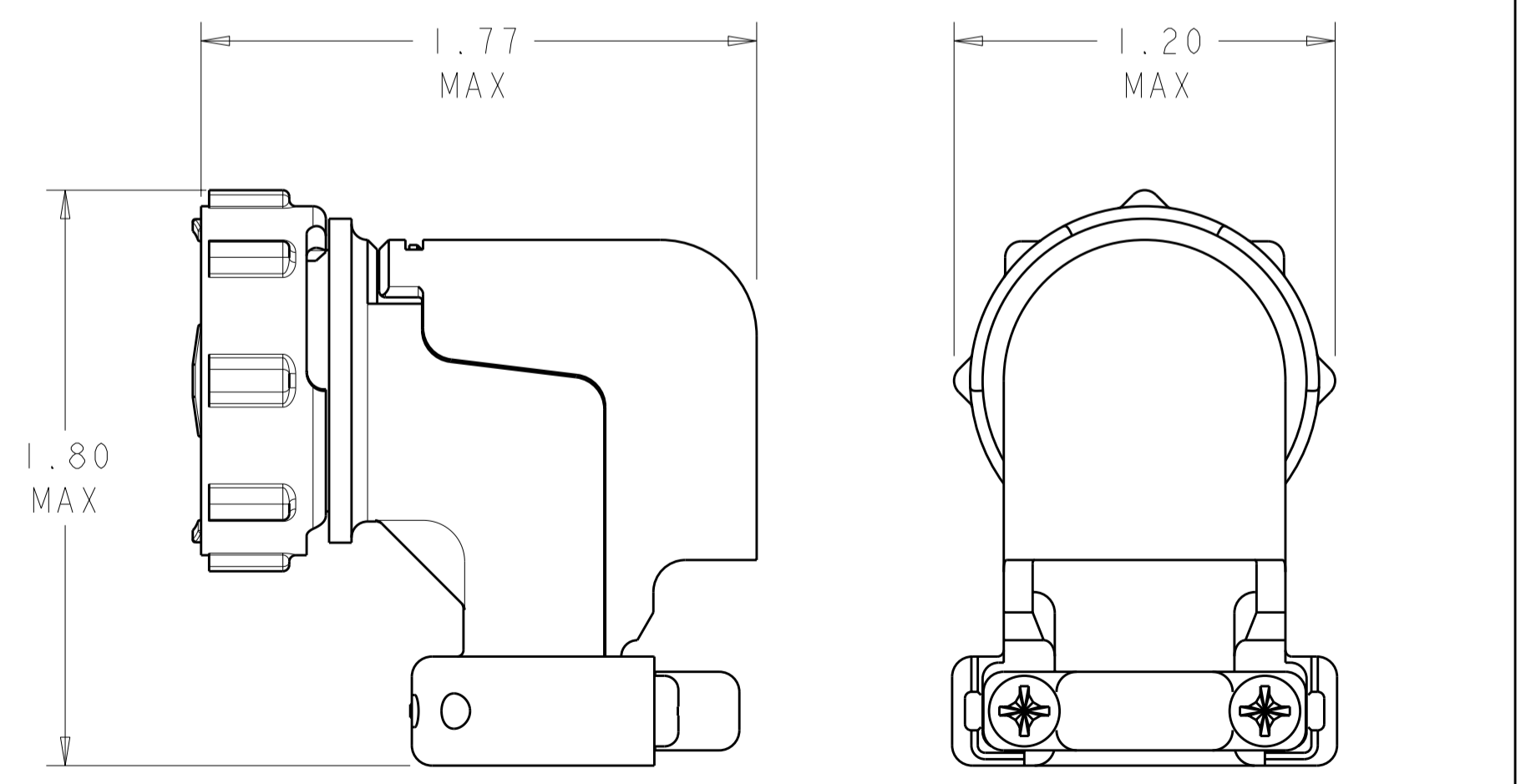
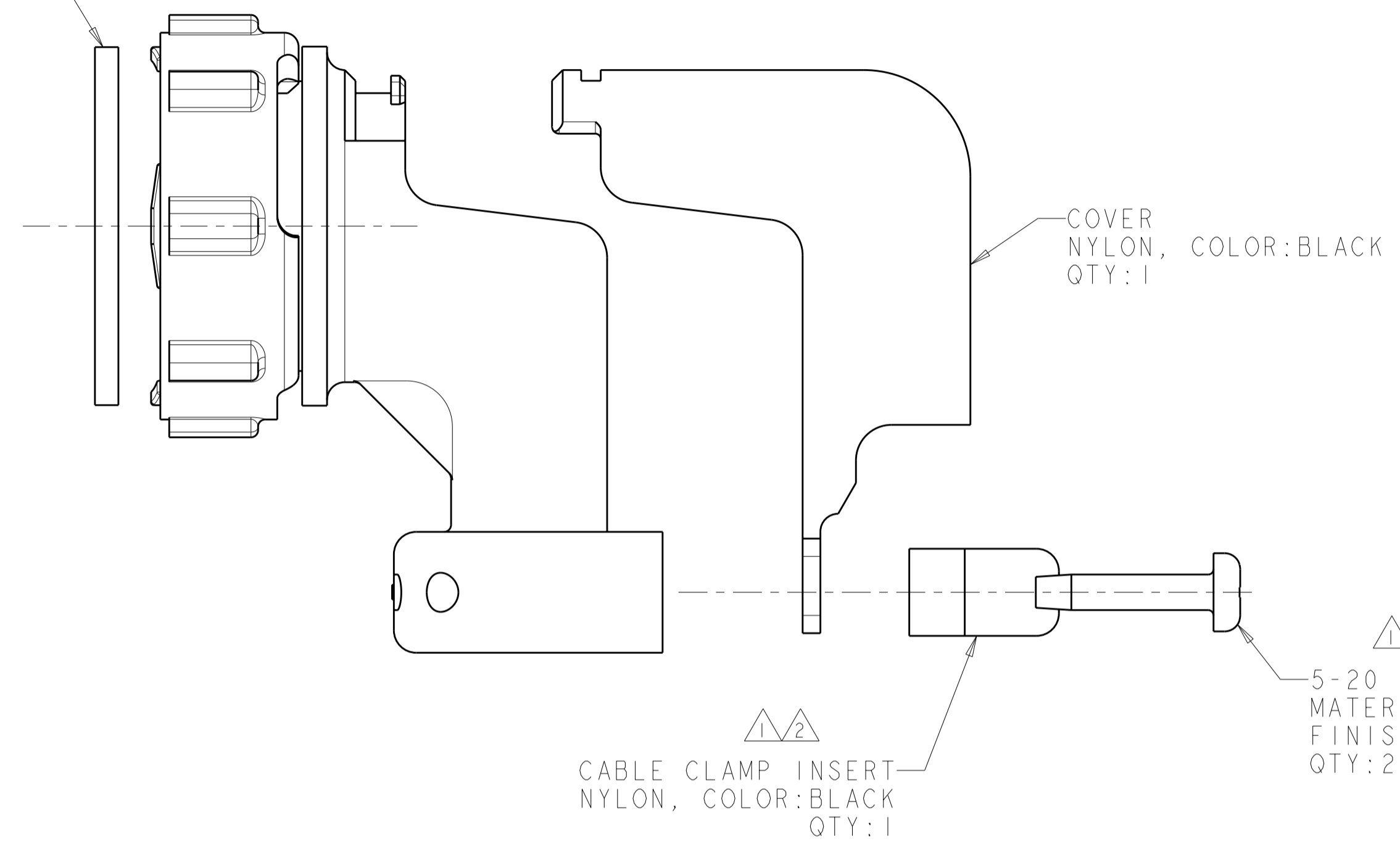
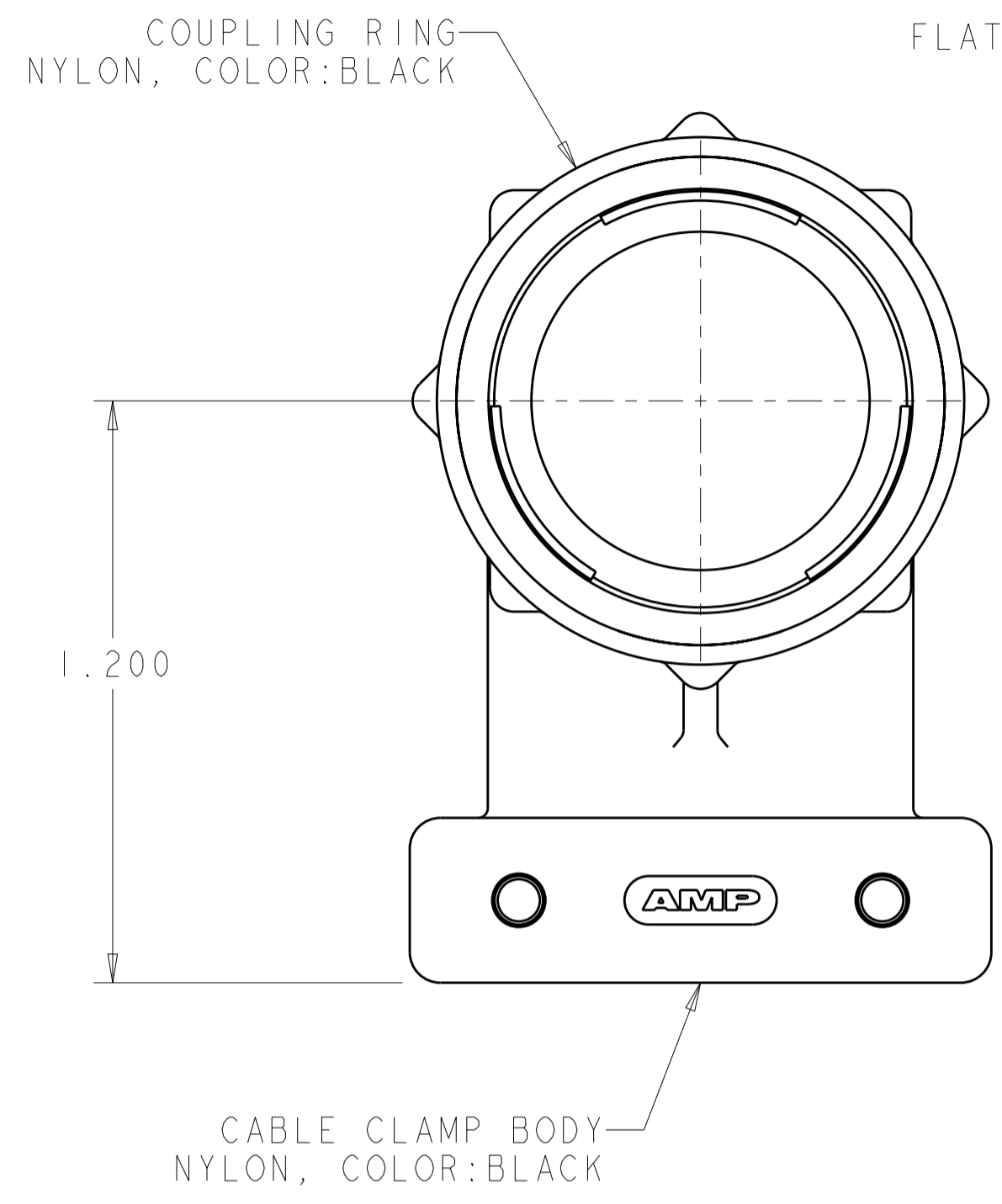


THIS DRAWING IS UNPUBLISHED. RELEASED FOR PUBLICATION
 © COPYRIGHT 20 BY - ALL RIGHTS RESERVED.

LOC	DIST	REVISIONS			
P	LTR	DESCRIPTION	DATE	DWN	APVD
FT	0				
		BI	REVISED PER ECO-11-004917	12MAR2011	RK HMR



ASSEMBLED VIEW
SCALE 2:1

- ¹ SELF TAPPING SCREWS AND CABLE CLAMP INSERTS PACKAGED UNASSEMBLED.
- ² CLAMPING AREA ADJUSTABLE TO .453 O.D. MAX CABLE. CABLE CLAMP INSERTS CAN BE ADJUSTED BY INVERTING OR CHANGING CABLE CLAMP INSERT.
- ³ SCREW FINISH ZINC WITH NON HEXAVALENT CHROMATE.

	1546349-2
SUPERSEDED BY -2	1546349-1
	PART NUMBER

THIS DRAWING IS A CONTROLLED DOCUMENT.		DWN S.WELDON 13AUG2002	STE TE Connectivity	
DIMENSIONS: INCHES		CHK S.HEADER 13AUG2002		
TOLERANCES UNLESS OTHERWISE SPECIFIED:		APVD S.HEADER 13AUG2002	NAME CABLE CLAMP KIT, UNASSEMBLED, R/A, W/COVER, SIZE 17, CPC	
0 PLC ±		PRODUCT SPEC	SIZE	CAGE CODE
1 PLC ±		APPLICATION SPEC	A200779	C=1546349
2 PLC ±		WEIGHT	SCALE 3:1	SHEET 1 OF 1
3 PLC ±0.005		CUSTOMER DRAWING	REV BI	
4 PLC ±				
ANGLES ±				
FINISH				