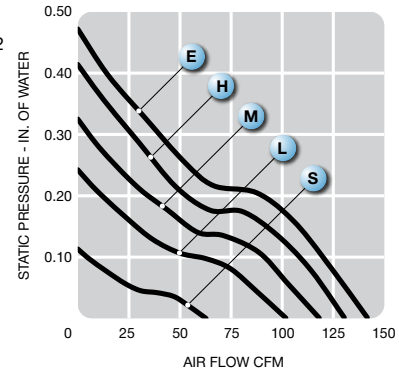
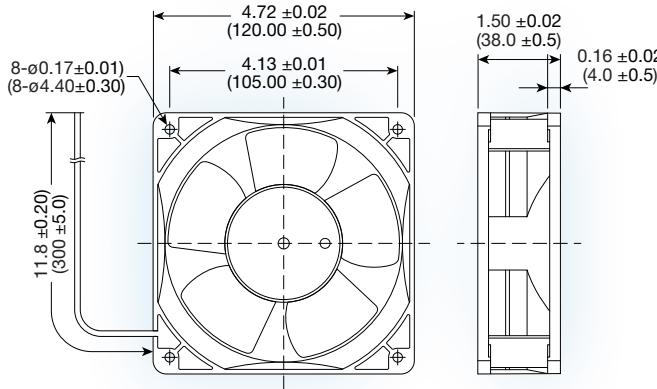




LPH12A99-5 series



(120 x 120 x 38 mm)
4.72 x 4.72 x 1.52 inches

Operating voltage: 85 to 265 VAC

Construction: plastic frame and impeller

Bearing option: ball bearing

Motor: electronically commutated

Air flow: exhaust over struts

Connection: lead wire UL1007 24AWG or terminal

Protection/IP Level: auto restart / IP54

Options:

- tachometer
- PWM
- encapsulated motor (IP68)
- ATEX



Model No.	Rated Voltage V	Freq. HZ	Input Power W	Rated Cur. A	Speed RPM	Air Volume		Max. Static Pressure (H ₂ O)		Sound Noise dbA	Weight g
						M ³ /Min.	CFM	MM	INCH		
LPH12A99-S5	100-240	50/60	3.5	0.05	2,000	2.2	77	5.6	0.22	32	260
LPH12A99-L5	100-240	50/60	4.2	0.08	2,400	2.6	91	7.6	0.30	36	260
LPH12A99-M5	100-240	50/60	6.2	0.10	2,700	2.2	106	7.4	0.29	40	260
LPH12A99-H5	100-240	50/60	9.5	0.12	3,300	2.6	127	10.2	0.40	43	260
LPH12A99-E5	100-240	50/60	10.5	0.18	3,500	3.1	138	11.9	0.47	47	260

