

DO NOT SCALE DRAWING DIMENSION IN METRIC

DWG. NO. SD 68126-001

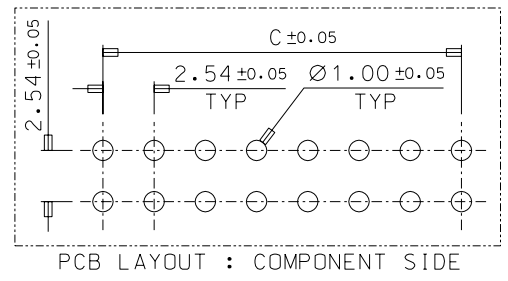
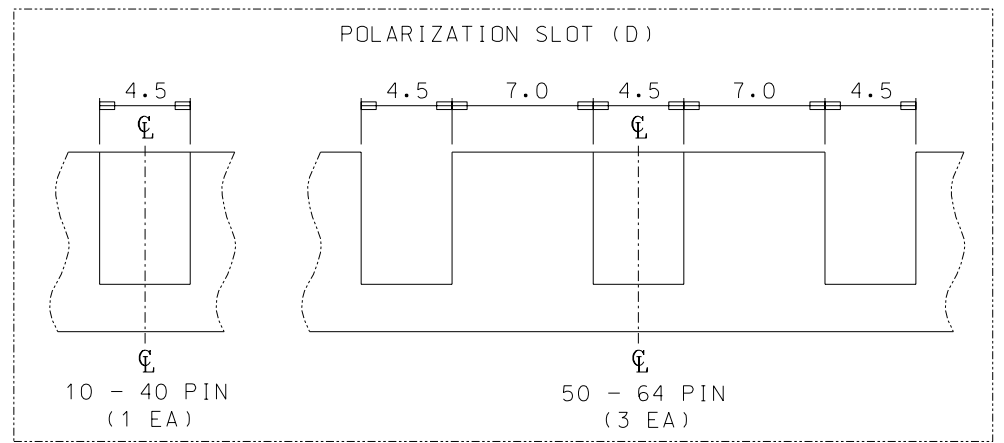
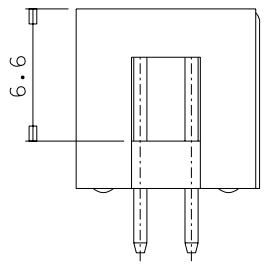
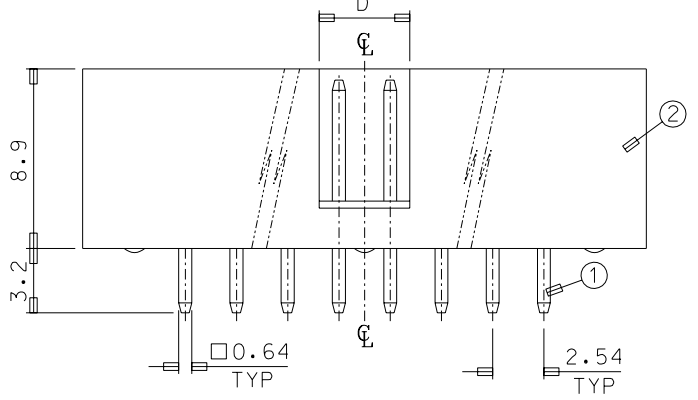
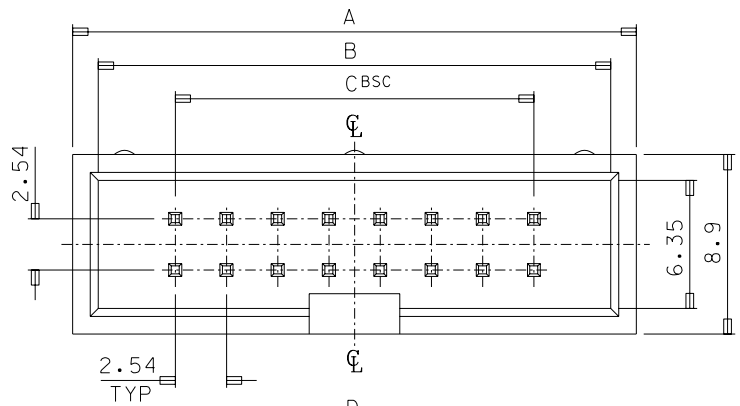
SIMILAR ITEM

PROJECT NO.

C

B

No. of Pin	Part No.	A	B	C
10	68126-1011	20.32	17.78	10.16
14	68126-1411	25.40	22.86	15.24
16	68126-1611	27.94	25.40	17.78
20	68126-2011	33.02	30.48	22.86
26	68126-2611	40.64	38.10	30.48
30	68126-3011	45.75	43.18	35.56
34	68126-3411	50.80	48.26	40.64
40	68126-4011	58.42	55.88	48.26
50	68126-5011	71.12	68.58	60.96
60	68126-6011	83.82	81.28	75.65
64	68126-6411	88.90	86.36	78.74



NOTES

1. PRODUCT SPECIFICATION : PS-35811-001

NO.	MATERIAL	REMARK
1	PHOSPHOR BRONZE	GOLD PLATING
2	PBT (UL94V-0)	BLACK

REVISED EC NO. KDR1998-0109 DRWN: YSK(M (980830)) CHK: JKOH APPR: CWLEE	DESCRIPTION MAJOR CRITICAL	QUALITY SYMBOLS	GENERAL TOLERANCES: (UNLESS SPECIFIED)	SCALE 5/1	DESIGN UNITS <input checked="" type="checkbox"/> mm <input type="checkbox"/> INCH	THIRD ANGLE PROJECTION	DIMENSIONS: <input type="checkbox"/> mm <input type="checkbox"/> INCH <input checked="" type="checkbox"/> mm ONLY	SHT	REV	
		4 PLACES ±. INCH	3 PLACES ±. INCH	2 PLACES ±. INCH	1 PLACE ±0.3 INCH	DRAWN BY & DATE J.S.KANG 970929		TITLE: 2.54 PITCH SURROUNDED HEADER - ST		
		ANGULAR: ± 1 °			CHECKED BY & DATE J.K.Oh		APPROVED BY & DATE C.W.Lee		MATERIAL NO.	
		DRAFT WHERE APPLICABLE MUST REMAIN WITHIN DIMENSIONS			CAD FILENAME SD68126.S01		DRAWING NO. SD 68126-001		SHEET NO. 1 of 1	
B	REV	THIS DRAWING CONTAINS INFORMATION THAT IS PROPRIETARY TO MOLEX INCORPORATED AND SHOULD NOT BE USED WITHOUT WRITTEN PERMISSION.			SIZE B		MX-A3			