

1-174712-1 ✓ ACTIVE

Positive Lock | Mark II, Positive Lock 187

TE Internal #: 1-174712-1

Crimp Terminal Housings, Receptacle, Receptacle, 2 Position, Straight, UL 94V-0, Natural, Nylon, Contact Mating Retention, Positive Lock 187

[View on TE.com >](#)



Terminals & Splices > Terminal Housings, Insulation Sleeves & Blocks > Crimp Terminal Housings



Terminal Type: **Receptacle**

Connector & Housing Type: **Receptacle**

Number of Positions: **2**

Terminal Orientation: **Straight**

UL Flammability Rating: **UL 94V-0**

Features

Product Type Features

| | |
|-----------------------------------|-----------------------------|
| Sealable | No |
| Connector System | Wire-to-Board, Wire-to-Wire |
| Connector & Contact Terminates To | Wire & Cable |
| Connector & Housing Type | Receptacle |

Configuration Features

| | |
|---------------------|---|
| Number of Positions | 2 |
|---------------------|---|

Body Features

| | |
|-----------------------|---------|
| Primary Product Color | Natural |
|-----------------------|---------|

Contact Features

| | |
|--------------------------|------------|
| Terminal Type | Receptacle |
| Terminal Orientation | Straight |
| Contact Mating Retention | With |

Mechanical Attachment



| | |
|-------------------------|----------------------------|
| Mating Alignment Type | Polarization |
| Mating Retention Type | Latch |
| Mating Alignment | With |
| Connector Mounting Type | Cable Mount (Free-Hanging) |

Housing Features

| | |
|--------------------|------------------|
| Housing Material | Nylon |
| Centerline (Pitch) | 6.65 mm[.261 in] |

Usage Conditions

| | |
|-----------------------------|----------------------------|
| Operating Temperature Range | -40 – 105 °C[-40 – 221 °F] |
|-----------------------------|----------------------------|

Industry Standards

| | |
|------------------------|----------|
| UL Flammability Rating | UL 94V-0 |
|------------------------|----------|

Packaging Features

| | |
|--------------------|------|
| Packaging Quantity | 1000 |
|--------------------|------|

Product Compliance

[For compliance documentation, visit the product page on TE.com>](#)

| | |
|-----------------------------------------------|--------------------------------------------------------------------------------------------------------------------------------|
| EU RoHS Directive 2011/65/EU | Compliant |
| EU ELV Directive 2000/53/EC | Compliant |
| China RoHS 2 Directive MIIT Order No 32, 2016 | No Restricted Materials Above Threshold |
| EU REACH Regulation (EC) No. 1907/2006 | Current ECHA Candidate List: JUNE 2023 (235) Candidate List Declared Against: JAN 2023 (233) Does not contain REACH SVHC |
| Halogen Content | Low Halogen - Br, Cl, F, I < 900 ppm per homogenous material. Also BFR/CFR/PVC Free |
| Solder Process Capability | Not applicable for solder process capability |

Product Compliance Disclaimer

This information is provided based on reasonable inquiry of our suppliers and represents our current actual knowledge based on the information they provided. This information is subject to change. The part numbers that TE has identified as EU RoHS compliant have a maximum concentration of 0.1% by weight in homogenous materials for lead, hexavalent chromium, mercury, PBB, PBDE, DBP, BBP, DEHP, DIBP, and 0.01% for cadmium, or qualify for an exemption to these limits as defined in the Annexes of Directive 2011/65/EU (RoHS2). Finished electrical and electronic equipment products will be CE marked as required by Directive 2011/65/EU. Components may not be CE marked. Additionally, the part numbers that TE has identified as EU ELV compliant have a maximum concentration of 0.1% by weight in homogenous materials for lead, hexavalent chromium, and mercury, and 0.01% for cadmium, or qualify for an exemption to these limits as defined in the Annexes of Directive 2000/53/EC (ELV). Regarding the REACH Regulation, the information TE provides on SVHC in articles for this part number is based on the latest European Chemicals Agency (ECHA) 'Guidance on

requirements for substances in articles' posted at this URL: <https://echa.europa.eu/guidance-documents/guidance-on-reach>

Compatible Parts



TE Part # 170330-2
PL 187 RECEPTACLE 24-20 AWG
NPPHBZ



TE Part # 170332-1
PL 187 RECEPTACLE 18-14 AWG
PTPBR



TE Part # 170324-2
PL 187 RECEPTACLE 24-20 AWG 0.3
NPCU



TE Part # 170326-5
187 PL MKII REC. 18-14AWG PTPB



TE Part # 170326-1
187 PL MKII REC. 18-14AWG PTBR



TE Part # 170325-5
187 PL MKII REC. 20-16AWG PTBR



TE Part # 170325-1
187 PL MKII REC. 20-16AWG PTBR



TE Part # 170324-1
187 PL MKII REC. 24-20AWG PTBR



TE Part # 170331-1
PL MKII 187 REC 20-16AWG PTBR LP



TE Part # 170330-1
PL MKII 187 REC 24-20AWG PTBR LP

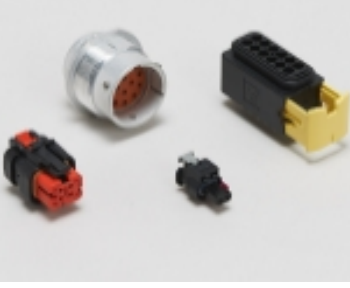


TE Part # 2-1743068-1
187 HSG. PL MKII REC. 5mm 3P NAT

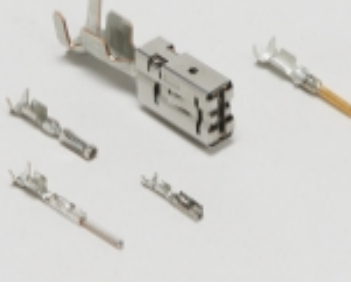


TE Part # 2-174712-1
PL MK2 2P 187 HOUSING REC
NATURAL

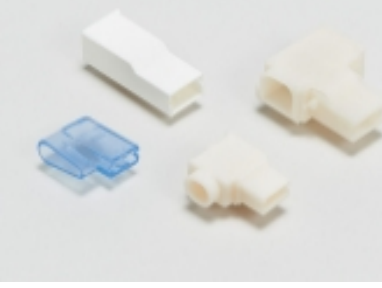
Also in the Series | Mark II




Automotive Housings(7)



Automotive Terminals(22)



Crimp Terminal Housings(76)



Insertion & Extraction Tools(2)



Quick Disconnects(57)

Also in the Series | Positive Lock 187



Crimp Terminal Housings(86)



Insertion & Extraction Tools(2)

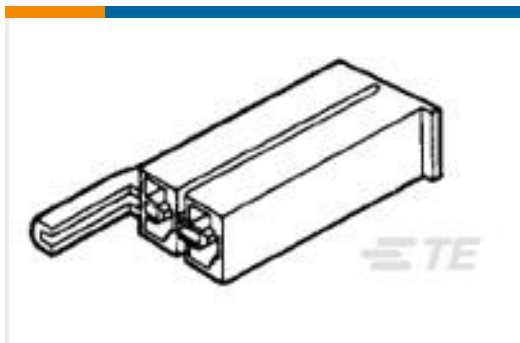


Insulation Boots & Sleeves(7)



Quick Disconnects(55)

Customers Also Bought



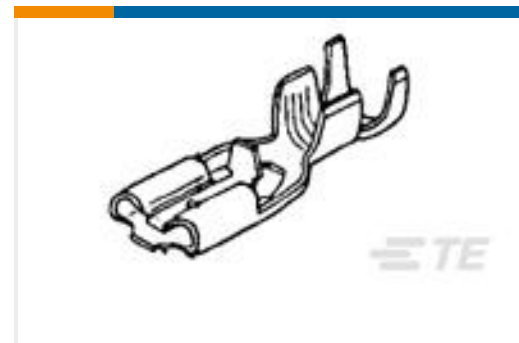
TE Part #1-174587-1
PL MK2 2P 187 HOUSING
RECEPTACLE NAT



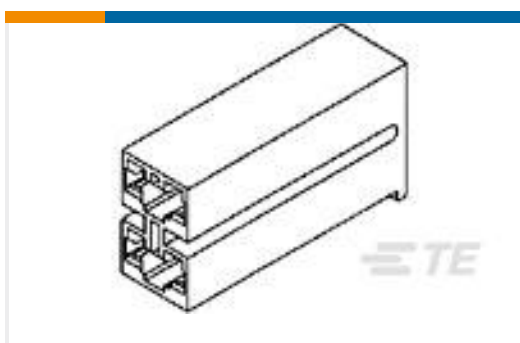
TE Part #8-1601046-1
331-101-000=WIRE2WIRE,STD,SMZ



TE Part #179975-1
250 PL EX REC. 15-10AWG PTBR



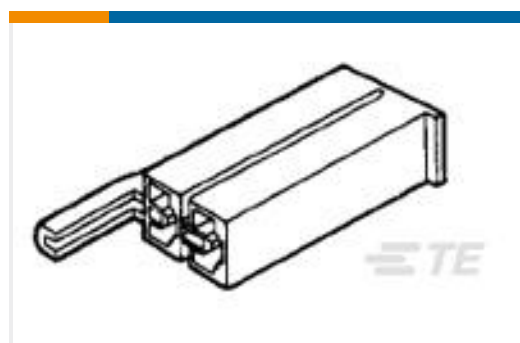
TE Part #170324-1
187 PL MKII REC. 24-20AWG PTBR



TE Part #172210-1
POSITIVE LOCK 250 HOUSING
RECEPTACLE



TE Part #1983780-1
NG GIC 3.3 REC CONTACT TIN PLATE



TE Part #1-174587-7
PL MK2 2POS 187 HOUSING
RECEPTACLE RED



TE Part #2297529-1
187 P.LOCK MK-II REC FOR 0.8T HIGH
TEMP



TE Part #1-85092-1
POSITIVE LOCK 187 HOUSING
RECEPTACLE



TE Part #85092-1
PL 187 HOUSING 2P REC NYLON66
NATURAL



Documents

CAD Files

3D PDF

3D

Customer View Model

[ENG_CVM_CVM_1-174712-1_M.2d_dxf.zip](#)

English

Customer View Model

[ENG_CVM_CVM_1-174712-1_M.3d_igs.zip](#)

English

Customer View Model

[ENG_CVM_CVM_1-174712-1_M.3d_stp.zip](#)

English

By downloading the CAD file I accept and agree to the [Terms and Conditions](#) of use.

Datasheets & Catalog Pages

FASTON Housings

English

Positive Lock Receptacles

English

Product Environmental Compliance

[MD_1-174712-1_0606201882_dmtec](#)

English

[MD_1-174712-1_0606201882_dmtec](#)

English

Agency Approvals

UL Report

English