

Ratings

Voltage: 150 V
Temperature: -40~70 °C

Conductor

Conductor count: 6
Gauge: 22 AWG 0.33 mm²
Material: tinned copper strands
Strand size: $\varnothing 0.08 \times 65$
Resistance at 20 °C: 59.4 Ω /km Max

Insulator

Material: HDPE
Color: red, black, white, yellow, blue, green
Diameter: $\varnothing 1.25 \pm 0.10$ mm
Nominal thickness: 0.24 mm
Resistance at 20 °C: 100 M Ω /km Min

Wrap

Material: cotton paper

Filler

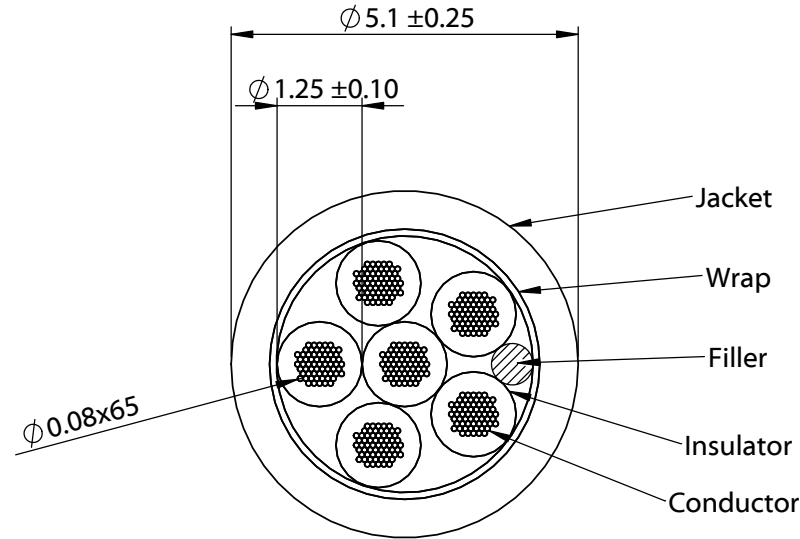
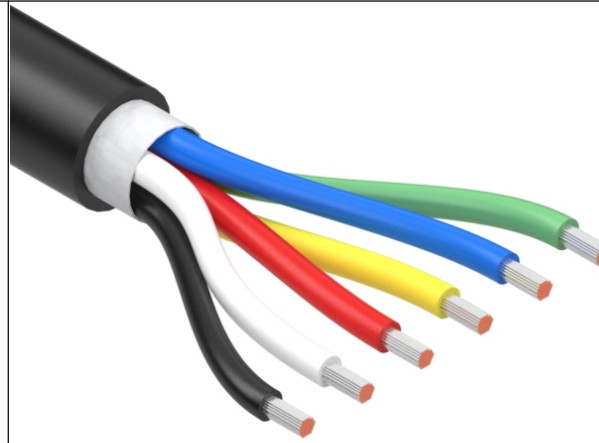
Material: aramid fiber

Outer jacket

Material: TPU
Color: black
Diameter: $\varnothing 5.1 \pm 0.25$ mm
Nominal thickness: 0.6 mm

Tests

Tensile strength: 26 kgf min
Dielectric test: 1500 V dc for 1 minute without breakdown
Bend test at 200 g, $\pm 60^\circ$, 30 cycles /min: 15,000 cycle minimum



Revision:	Date:	Description:
A	9/1/2022	Initial release

Prepared: **MP**
Digitally signed by MP
Date: 2022.09.02 11:27:36 -07'00'

Verified: **PB**
Digitally signed by PB
Date: 2022.09.19 08:34:58 -07'00'

Dimensions are in millimeters.
 Tolerances:
 X: ± 0.5 mm
 X.X: ± 0.3 mm
 X.XX: ± 0.05 mm

Notes:
 RoHS compliant
 Jacket meets ISO 10993 Biological Compatibility
 Phthalate and halogen free
 Function test: no open, no short, no intermittent

Description:
 Wire, 6C TS, 22 AWG, 150V, 70C, 5.1 mm, TPU, 75A, WBL

TENSILITY

tel 1.541.323.3228 800 877.670.7118
 fax 1.541.323.4202 web tensility.com

Size: A Part number: 30-02664

Scale: 9:1 Sheet 1 of 1